



# T&S BRASS AND BRONZE WORKS, INC.

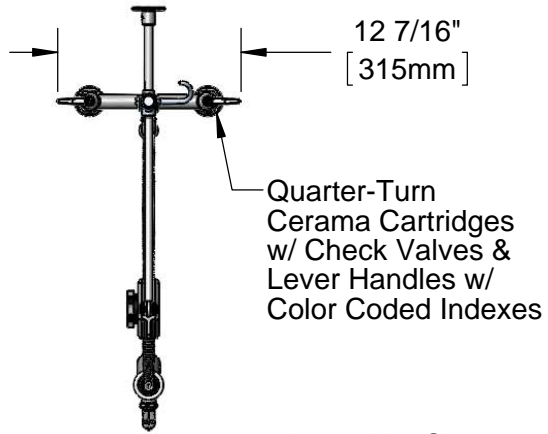
2 Saddleback Cove / P.O. Box 1088  
Travelers Rest, SC 29690

Model No.

**B-2279-CR**

Item No.

Travelers Rest, SC: 800-476-4103 • Simi Valley, CA: 800-423-0150 • Fax: 864-834-3518 • www.tsbrass.com



This Space for Architect/Engineer Approval

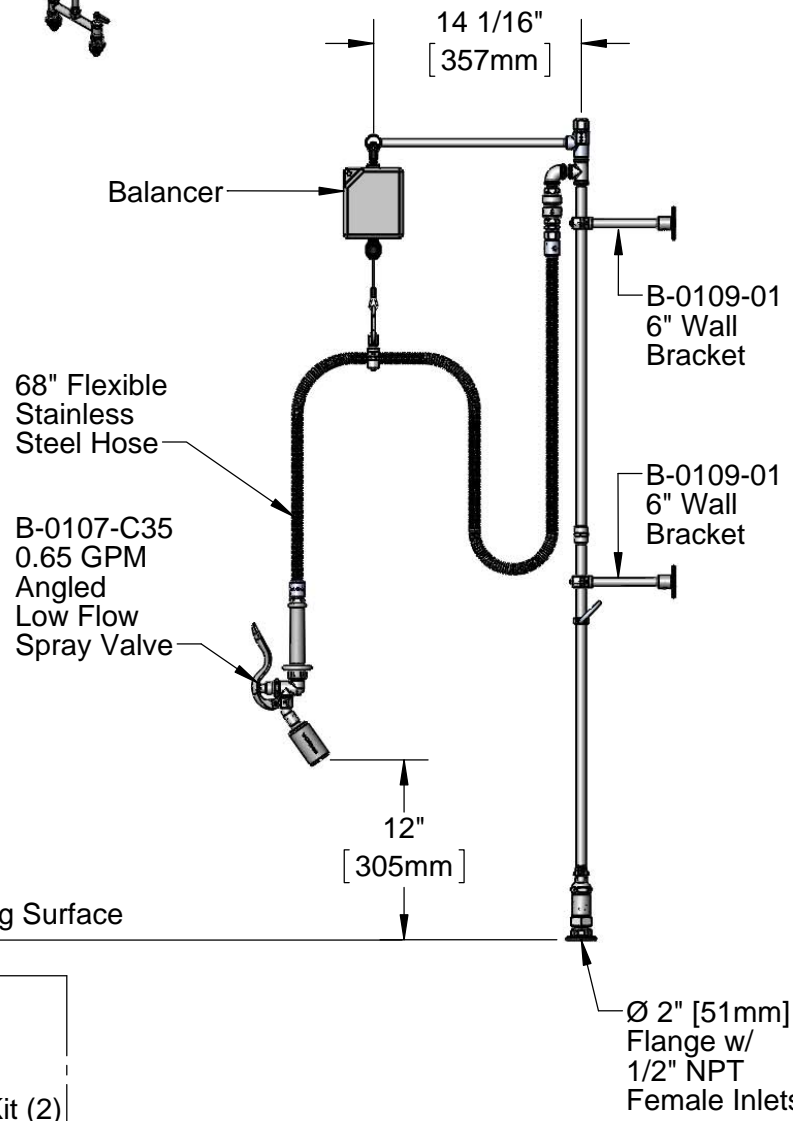
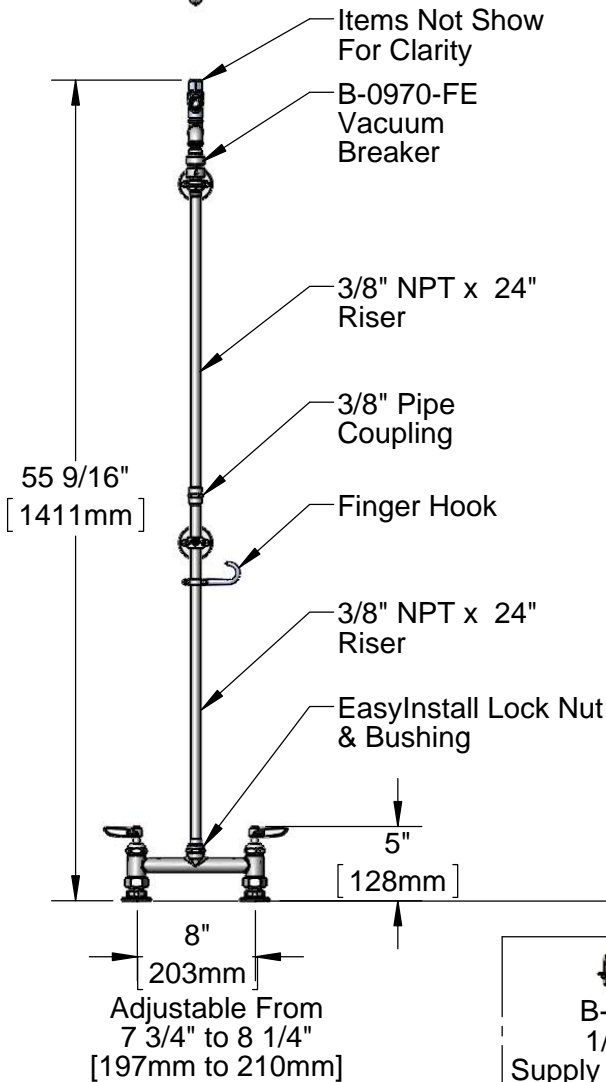
Job Name \_\_\_\_\_ Date \_\_\_\_\_

Model Specified \_\_\_\_\_ Quantity \_\_\_\_\_

Customer/Wholesaler \_\_\_\_\_

Contractor \_\_\_\_\_

Architect/Engineer \_\_\_\_\_



**Product Specifications:**

Pre-Rinse Unit: EasyInstall 8" Deck Mount Mixing Faucet, Quarter-Turn Cerama Cartridges w/ Spring Checks, Swivel Arm w/ Balancer, Vacuum Breaker, 68" Flexible Stainless Steel Hose, 0.65 GPM Low Flow Angled Spray Valve, 6" Wall Brackets & 1/2" NPT Male Supply Nipple Inlets

**Product Compliance:**

ASME A112.18.1 / CSA B125.1  
NSF 61 - Section 9  
NSF 372 (Low Lead Content)  
EPA Act 2005 (PRSV)  
CSA B64.8 (VB)



# T&S BRASS AND BRONZE WORKS, INC.

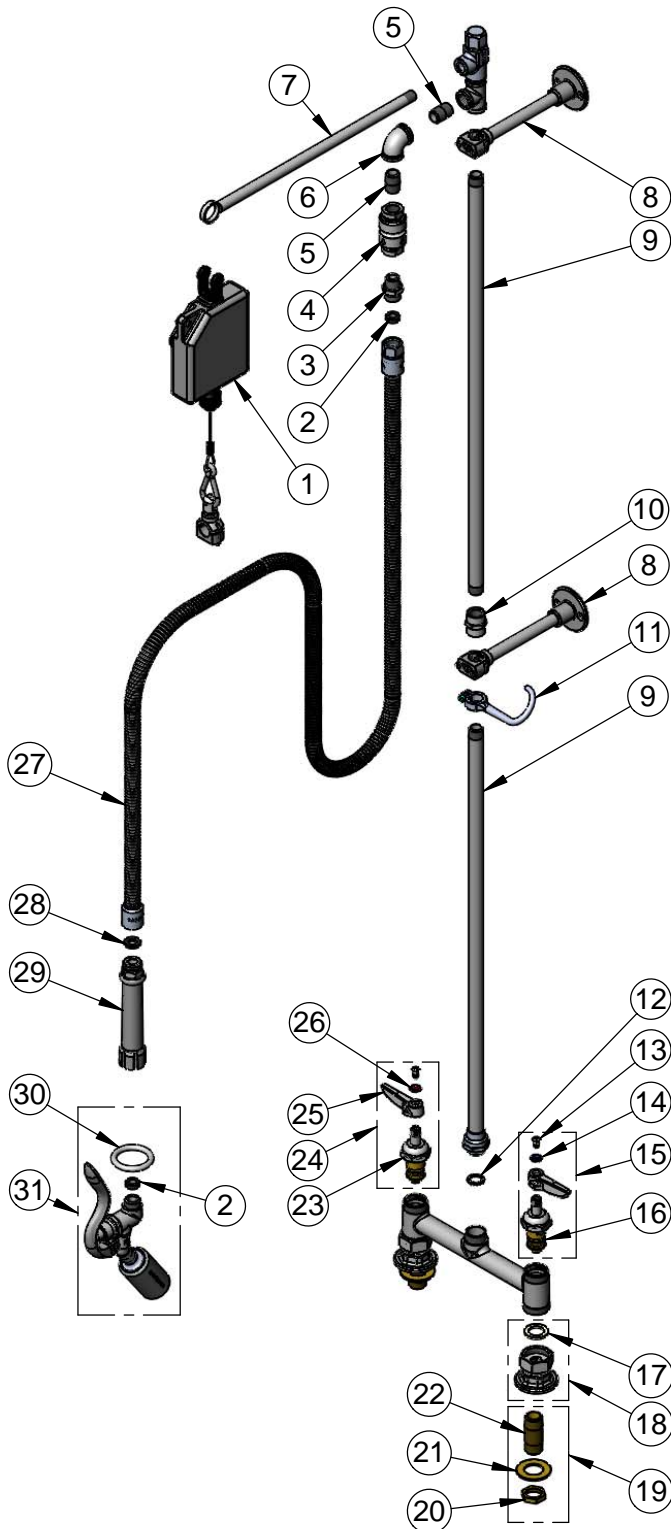
2 Saddleback Cove / P.O. Box 1088  
Travelers Rest, SC 29690

Model No.

**B-2279-CR**

Item No.

Travelers Rest, SC: 800-476-4103 • Simi Valley, CA: 800-423-0150 • Fax: 864-834-3518 • www.tsbrass.com



ITEM NO.	SALES NO.	DESCRIPTION
1	005311-40	Balancer
2	010476-45	#27 Washer
3	053A	Adapter, 3/8" NPT Male
4	B-0970-FE	3/8" NPT Vacuum Breaker
5	002535-25	3/8" Close Nipple
6	001355-40	Elbow, 3/8 NPT
7	005252-20	Plated Steel Swivel Arm
8	B-0109-01	6" Wall Bracket
9	000372-40	3/8" NPT x 24" Riser
10	001769-40	3/8" NPT Coupling
11	004R	Finger Hook
12	014200-45	Star Washer, Anti-Rotation
13	000922-45	Lever Handle Screw
14	001660-45	Blue Index-CW
15	012447-25	Quarter-Turn Cerama Cartridge, LTC w/ Check Valve, Handle, Index & Screw
16	012395-25	Quarter-Turn Cerama Cartridge, LTC w/ Check Valve
17	001019-45	Coupling Nut Washer
18	00AA	1/2" NPT Female Eccentric Flange
19	B-0425-M	1/2" NPT Supply Nipple Kit (2)
20	002954-45	Shank Lock Nut
21	000999-45	Brass Lock Washer
22	000422-20	1/2" NPT Supply Nipple
23	012394-25	Quarter-Turn Cerama Cartridge, RTC w/ Check Valve
24	012446-25	Quarter-Turn Cerama Cartridge, RTC w/ Check Valve, Handle, Index & Screw
25	001638-45	Lever Handle
26	001661-45	Red Index-HW
27	B-0068-H2A	68" Flexible Stainless Steel Hose, Less Handle
28	001014-45	Washer, B-0100 Hose Barrel
29	002987-40	Grip Handle
30	000907-45	Spray Valve Hold Down Ring
31	B-0107-C35	0.65 GPM Angled Spray Valve

**Product Specifications:**

Pre-Rinse Unit: EasyInstall 8" Deck Mount Mixing Faucet, Quarter-Turn Cerama Cartridges w/ Spring Checks, Swivel Arm w/ Balancer, Vacuum Breaker, 68" Flexible Stainless Steel Hose, 0.65 GPM Low Flow Angled Spray Valve, 6" Wall Brackets & 1/2" NPT Male Supply Nipple Inlets

**Product Compliance:**

ASME A112.18.1 / CSA B125.1  
NSF 61 - Section 9  
NSF 372 (Low Lead Content)  
EPA Act 2005 (PRSV)  
CSA B64.8 (VB)