



T&S BRASS AND BRONZE WORKS, INC.

2 Saddleback Cove / P.O. Box 1088
Travelers Rest, SC 29690

Model No.

B-2278-ADF

Item No.

Travelers Rest, SC: 800-476-4103 • Simi Valley, CA: 800-423-0150 • Fax: 864-834-3518 • www.tsbrass.com

This Space for Architect/Engineer Approval

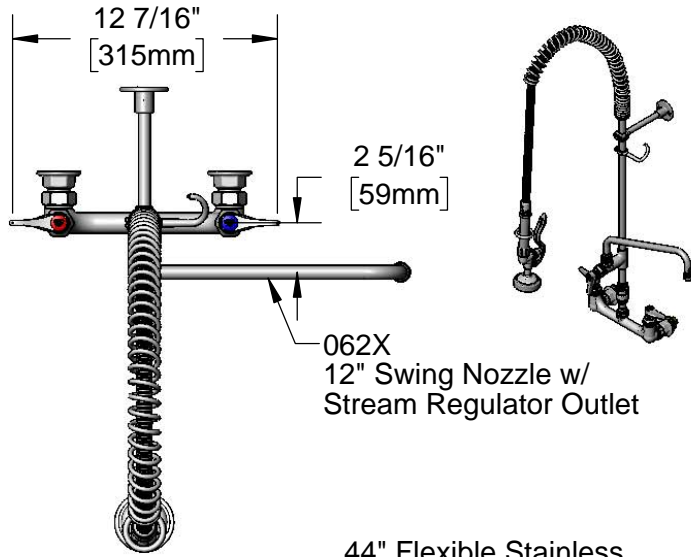
Job Name _____ Date _____

Model Specified _____ Quantity _____

Customer/Wholesaler _____

Contractor _____

Architect/Engineer _____



44" Flexible Stainless Steel Hose w/ Spring & Spray Valve

Items Not Shown For Clarity

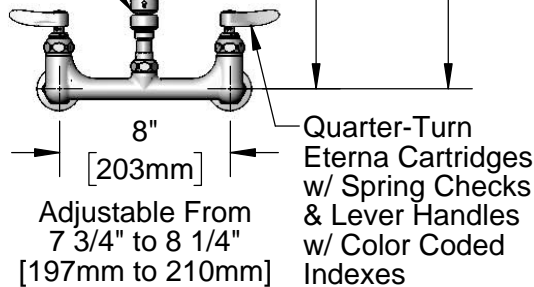
Finger Hook

3/8" NPT x 18" Riser

12" [305mm]

B-0970-FEZ EasyInstall Vacuum Breaker w/ Lock Nut & Bushing

15 5/8" [396mm]
12 1/2" [317mm]



11 9/16" [294mm]

14 1/16" [357mm]

2 3/8" [61mm]

41 1/8" [1045mm]

B-0109-01 6" Wall Bracket

B-0107 1.42 GPM Spray Valve

Add-On Faucet w/ Quarter-Turn Eterna Cartridge w/ Spring Check & Lever Handle

Ø 2" [51mm] Flanges w/ 1/2" NPT Female Inlets

Mounting Surface



Rough-In Requirement:
(2) Ø 1" [25mm] Mounting Holes

Product Specifications:

Pre-Rinse Unit: EasyInstall 8" Wall Mount Mixing Faucet, Quarter-Turn Eterna Cartridges w/ Spring Checks, Lever Handles, Add-On Faucet, 12" Swing Nozzle, 44" Flexible Stainless Steel Hose, 1.42 GPM Spray Valve, 3/8" NPT Vacuum Breaker, 6" Wall Bracket, 1/2" NPT Female Inlets and 1/2" NPT Male Supply Inlets

Product Compliance:

ASME A112.18.1 / CSA B125.1
NSF 61 - Section 9
NSF 372 (Low Lead Content)
EPA Act 2005 (PRSV)
CSA B64.8 (VB)



T&S BRASS AND BRONZE WORKS, INC.

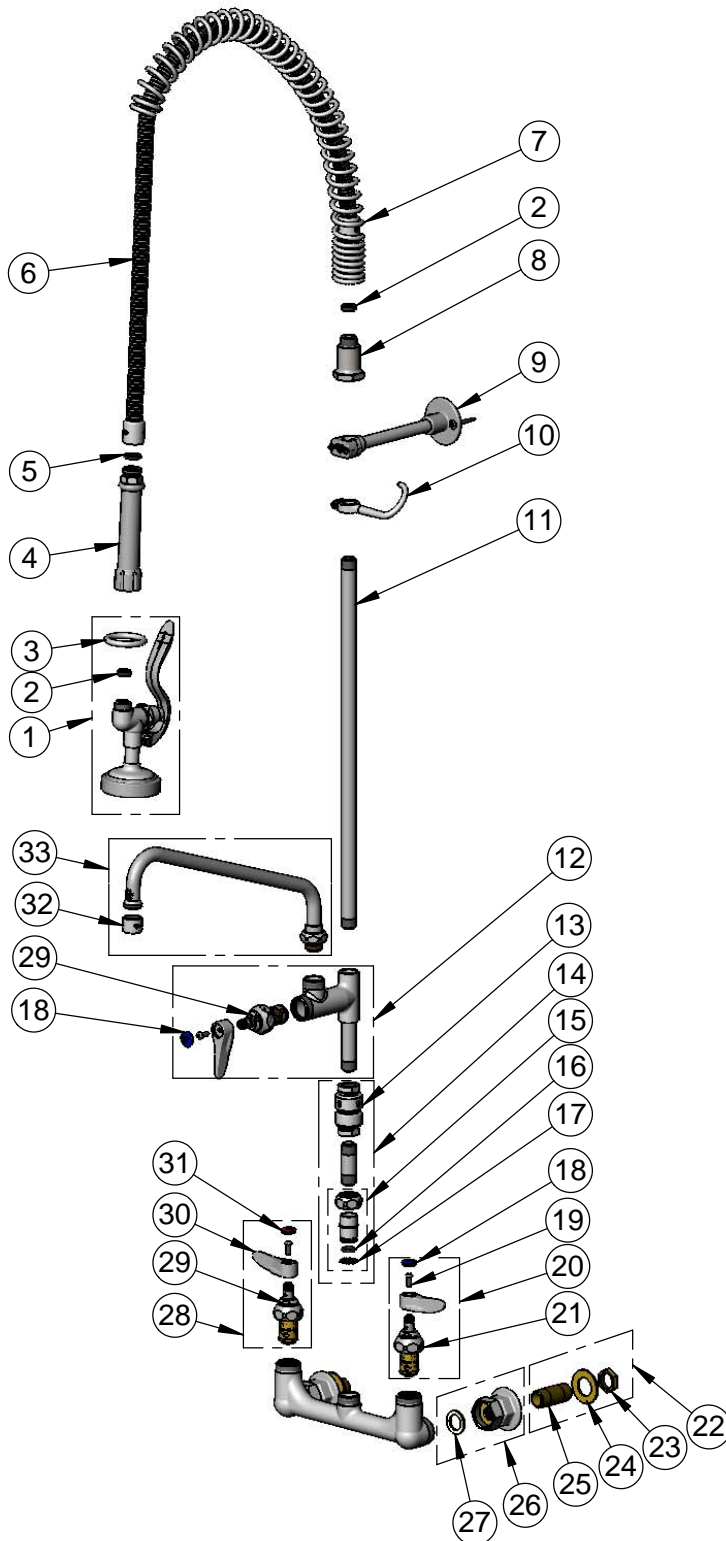
2 Saddleback Cove / P.O. Box 1088
Travelers Rest, SC 29690

Model No.

B-2278-ADF

Item No.

Travelers Rest, SC: 800-476-4103 • Simi Valley, CA: 800-423-0150 • Fax: 864-834-3518 • www.tsbrass.com



ITEM NO.	SALES NO.	DESCRIPTION
1	B-0107	1.42 GPM Spray Valve
2	010476-45	#27 Washer
3	000907-45	Spray Valve Hold Down Ring
4	002987-40	Grip Handle
5	001014-45	Washer, B-0100 Hose Barrel
6	B-0044-H2A	44" Flexible Stainless Steel Hose, Less Handle
7	000888-45	EasyInstall Overhead Spring
8	000821-40	Spring Body
9	B-0109-01	6" Wall Bracket
10	004R	Finger Hook
11	000369-40	3/8" NPT x 18" Riser
12	B-0155-LN	Add-On Faucet, Less Nozzle
13	B-0970-FE	3/8" NPT Vacuum Breaker
14	B-0970-FEZ	EasyInstall 3/8" NPT Vacuum Breaker
15	EZ-K	EasyInstall Kit: Nut, Bushing, O-ring & Lock Washer
16	001065-45	O-Ring
17	014200-45	Star Washer, Anti-Rotation
18	018506-19NS	Blue Button Index, Press-in
19	000925-45	Lab Handle Screw
20	002711-40NS	Quarter-Turn Eterna Cartridge, LTC w/ Spring Check, Handle, Index & Screw
21	012442-40NS	Quarter-Turn Eterna Cartridge, LTC w/ Spring Check
22	B-0425-M	1/2" NPT Supply Nipple Kit (2)
23	002954-45	Shank Lock Nut
24	000999-45	Brass Lock Washer
25	000422-20	1/2" NPT Supply Nipple
26	00AA	1/2" NPT Female Eccentric Flange
27	001019-45	Coupling Nut Washer
28	002712-40	Quarter-Turn Eterna Cartridge, RTC w/ Spring Check, Handle, Index & Screw
29	012443-40	Quarter-Turn Eterna Cartridge, RTC w/ Spring Check
30	001638-45NS	Lever Handle (New Style)
31	001193-19NS	Red Button Index, Press-in
32	B-PT	Full Flow Stream Regulator, 55/64-27
33	062X	12" Swing Nozzle w/ Stream Regulator Outlet

Product Specifications:

Pre-Rinse Unit: EasyInstall 8" Wall Mount Mixing Faucet, Quarter-Turn Eterna Cartridges w/ Spring Checks, Lever Handles, Add-On Faucet, 12" Swing Nozzle, 44" Flexible Stainless Steel Hose, 1.42 GPM Spray Valve, 3/8" NPT Vacuum Breaker, 6" Wall Bracket, 1/2" NPT Female Inlets and 1/2" NPT Male Supply Inlets

Product Compliance:

ASME A112.18.1 / CSA B125.1
NSF 61 - Section 9
NSF 372 (Low Lead Content)
EPA Act 2005 (PRSV)
CSA B64.8 (VB)