



T&S BRASS AND BRONZE WORKS, INC.

2 Saddleback Cove / P.O. Box 1088
Travelers Rest, SC 29690

Model No.

B-2278-0440-CR

Item No.

Travelers Rest, SC: 800-476-4103 • Simi Valley, CA: 800-423-0150 • Fax: 864-834-3518 • www.tsbrass.com

This Space for Architect/Engineer Approval

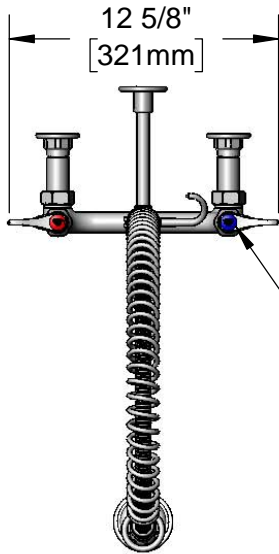
Job Name _____ Date _____

Model Specified _____ Quantity _____

Customer/Wholesaler _____

Contractor _____

Architect/Engineer _____



Quarter-Turn
CeraMa Cartridges
w/ Check Valves &
Lever Handles w/
Color Coded Indexes



44" Flexible Stainless
Steel Hose w/
Spring & Spray Valve

Items Not Shown
For Clarity

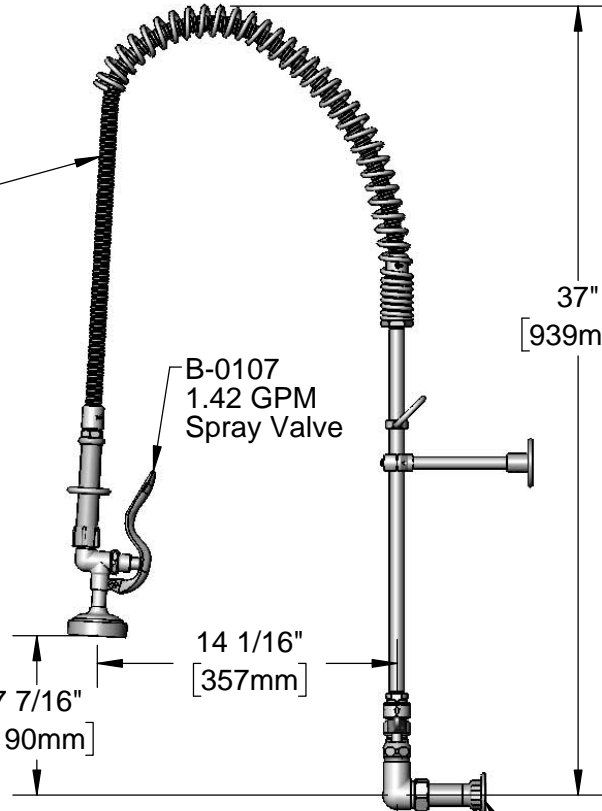
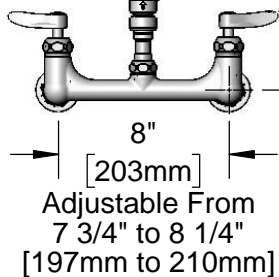
Finger Hook

B-0109-01
6" Wall Bracket

3/8" NPT x 18"
Riser

B-0970-FEZ
3/8" NPT EasyInstall
Vacuum Breaker

3 11/16"
[93mm]



B-0107
1.42 GPM
Spray Valve

14 1/16"
[357mm]

7 7/16"
[190mm]



Ø 2" [51mm]
Extended
Flanges w/
1/2" NPT
Female Inlets

4 1/8"
[105mm]

Mounting
Surface

Product Specifications:

EasyInstall Pre-Rinse Unit:

8" Wall Mount Mixing Faucet, Quarter-Turn CeraMa Cartridges w/ Check Valves, Lever Handle, Vacuum Breaker, 18" Riser, 44" Flexible Stainless Steel Hose, 1.42 GPM Spray Valve, 6" Wall Brackets & 1/2" NPT Female Extended Flange Inlets w/ 1/2" NPT Male Inlet Kit

Product Compliance:

ASME A112.18.1 / CSA B125.1
NSF 61 - Section 9
NSF 372 (Low Lead Content)
EPA Act 2005 (PRSV)
CSA B64.8 (VB)



T&S BRASS AND BRONZE WORKS, INC.

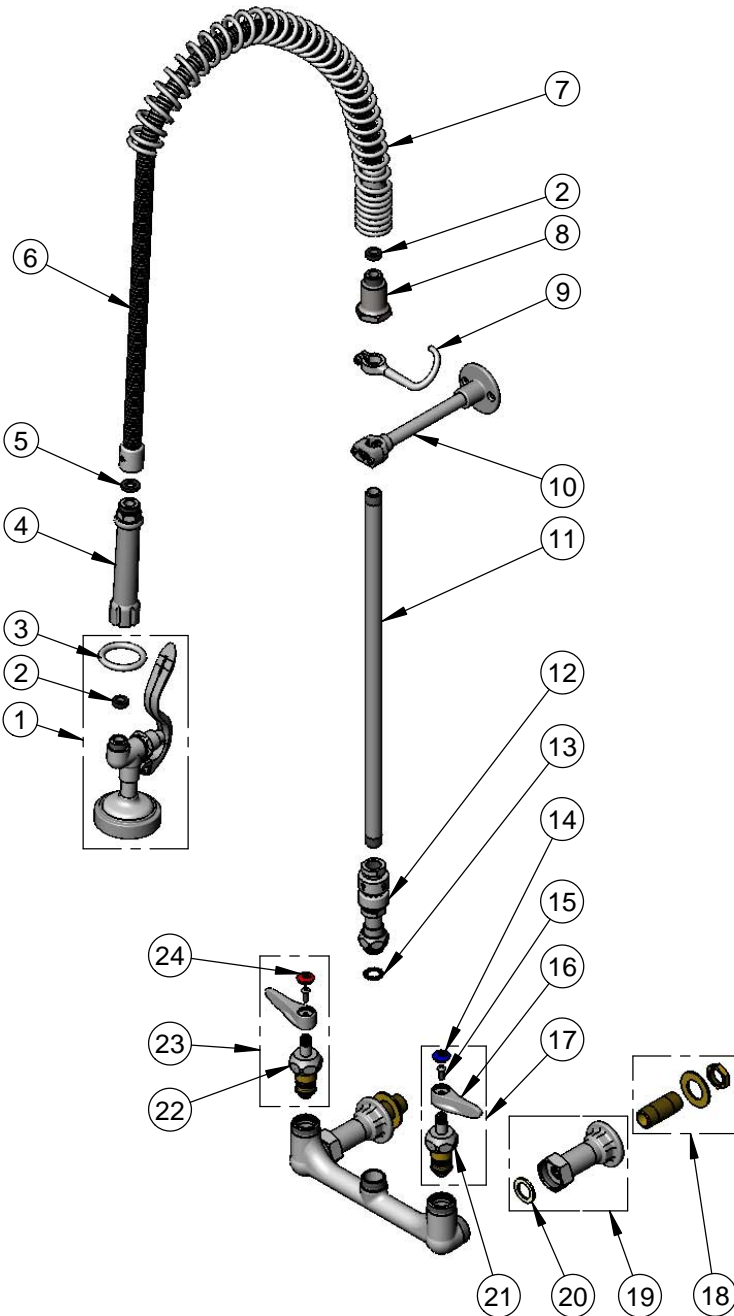
2 Saddleback Cove / P.O. Box 1088
Travelers Rest, SC 29690

Model No.

B-2278-0440-CR

Item No.

Travelers Rest, SC: 800-476-4103 • Simi Valley, CA: 800-423-0150 • Fax: 864-834-3518 • www.tsbrass.com



ITEM NO.	SALES NO.	DESCRIPTION
1	B-0107	1.42 GPM Spray Valve
2	010476-45	#27 Washer
3	000907-45	Spray Valve Hold Down Ring
4	002987-40	Grip Handle
5	001014-45	Washer, B-0100 Hose Barrel
6	B-0044-H2A	44" Flexible Stainless Steel Hose (Less Handle)
7	000888-45	EasyInstall Overhead Spring
8	000821-40	Spring Body
9	004R	Finger Hook
10	B-0109-01	6" Wall Bracket
11	000369-40	3/8" NPT x 18" Riser
12	B-0970-FEZ	3/8" NPT EasyInstall Vacuum Breaker
13	014200-45	Star Washer, Anti-Rotation
14	018506-19NS	Blue Button Index, Press-in
15	000925-45	Lab Handle Screw
16	001638-45NS	Lever Handle (New Style)
17	012447-25NS	Quarter-Turn Cerama Cartridge w/ Check Valve, Handle, Blue Index & Screw, LTC
18	B-0425-M	1/2" NPT Supply Nipple Kit (2)
19	B-0440	1/2" NPT Female Eccentric Flange Extension
20	001019-45	Coupling Nut Washer
21	012395-25NS	Quarter-Turn Cerama Cartridge w/ Check Valve, LTC
22	012394-25NS	Quarter-Turn Cerama Cartridge w/ Check Valve, RTC
23	012446-25NS	Quarter-Turn Cerama Cartridge w/ Check Valve, Handle, Red Index & Screw, RTC
24	001193-19NS	Red Button Index, Press-in

Product Specifications:

EasyInstall Pre-Rinse Unit:
8" Wall Mount Mixing Faucet, Quarter-Turn Cerama Cartridges w/ Check Valves, Lever Handle, Vacuum Breaker, 18" Riser, 44" Flexible Stainless Steel Hose, 1.42 GPM Spray Valve, 6" Wall Brackets & 1/2" NPT Female Extended Flange Inlets w/ 1/2" NPT Male Inlet Kit

Product Compliance:

ASME A112.18.1 / CSA B125.1
NSF 61 - Section 9
NSF 372 (Low Lead Content)
EPA Act 2005 (PRSV)
CSA B64.8 (VB)