



# T&S BRASS AND BRONZE WORKS, INC.

2 Saddleback Cove / P.O. Box 1088  
Travelers Rest, SC 29690

Model No.

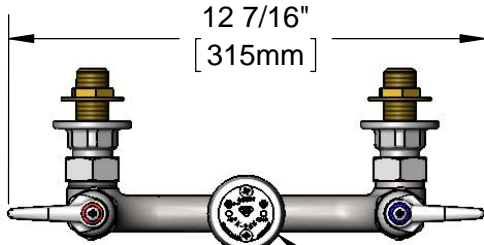
**B-2271-POL**

Item No.

Travelers Rest, SC: 800-476-4103 • Simi Valley, CA: 800-423-0150 • Fax: 864-834-3518 • www.tsbrass.com



**ADA Compliant**



12 7/16"  
[315mm]

B-0969  
1/2" NPT Atmospheric  
Vacuum Breaker

Male Garden Hose Outlet  
w/ Quick Disconnect  
Fitting

This Space for Architect/Engineer Approval

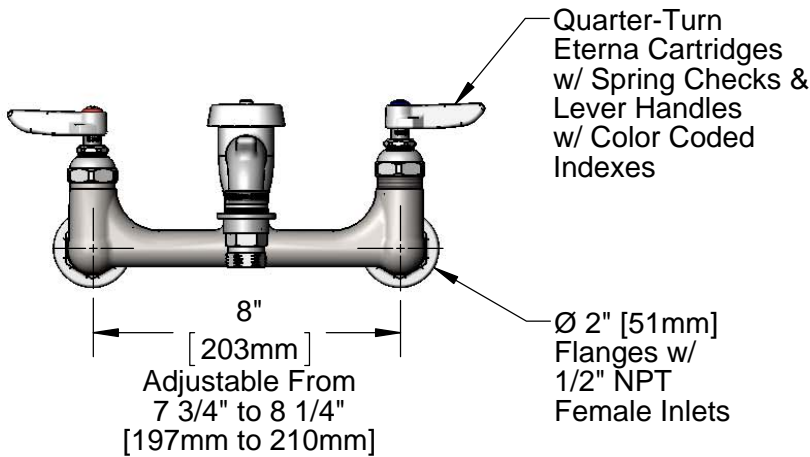
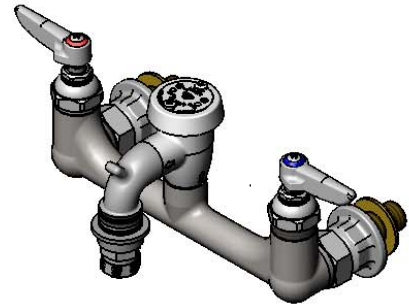
Job Name \_\_\_\_\_ Date \_\_\_\_\_

Model Specified \_\_\_\_\_ Quantity \_\_\_\_\_

Customer/Wholesaler \_\_\_\_\_

Contractor \_\_\_\_\_

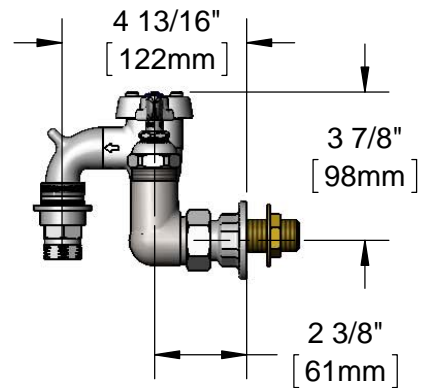
Architect/Engineer \_\_\_\_\_



Quarter-Turn  
Eterna Cartridges  
w/ Spring Checks &  
Lever Handles  
w/ Color Coded  
Indexes

8"  
[203mm]  
Adjustable From  
7 3/4" to 8 1/4"  
[197mm to 210mm]

Ø 2" [51mm]  
Flanges w/  
1/2" NPT  
Female Inlets



4 13/16"  
[122mm]

3 7/8"  
[98mm]

2 3/8"  
[61mm]

Rough-In Requirement:  
(2) Ø 1" [25mm] Mounting Holes



B-0425-M  
1/2" NPT  
Supply Nipple Kit (2)  
(Included)

**Product Specifications:**

8" Wall Mount Polished Chrome Service Sink Mixing Faucet, Quarter-Turn Eterna Cartridges w/ Spring Checks, Lever Handles, Male Garden Hose Outlet w/ Quick Disconnect Fitting, 1/2" NPT Vacuum Breaker & 1/2" NPT Male Inlets

**Product Compliance:**

ASME A112.18.1 / CSA B125.1  
NSF 61 - Section 9  
NSF 372 (Low Lead Content)  
ASSE 1001 (VB)



# T&S BRASS AND BRONZE WORKS, INC.

2 Saddleback Cove / P.O. Box 1088  
Travelers Rest, SC 29690

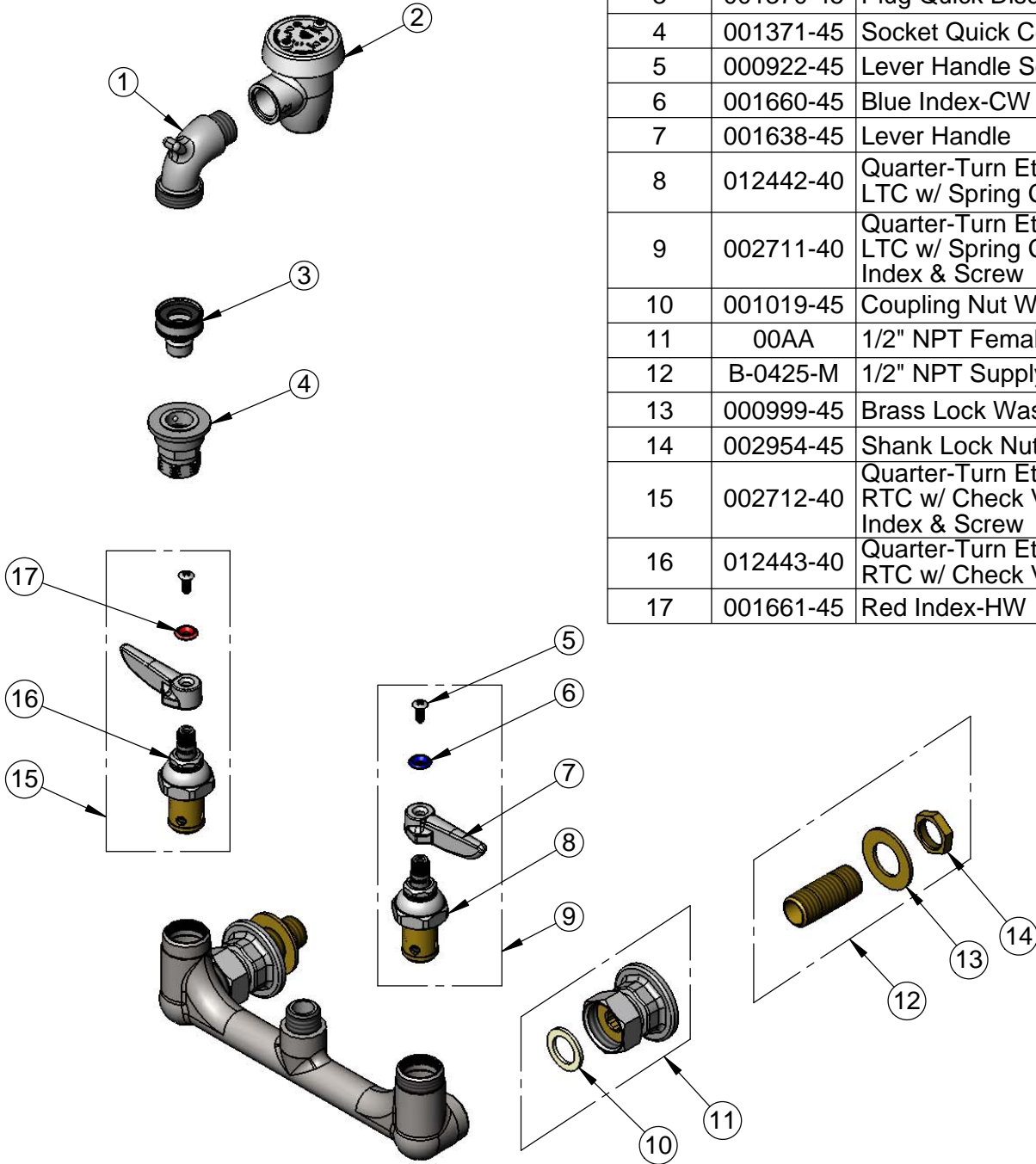
Model No.

**B-2271-POL**

Item No.

Travelers Rest, SC: 800-476-4103 • Simi Valley, CA: 800-423-0150 • Fax: 864-834-3518 • www.tsbrass.com

ITEM NO.	SALES NO.	DESCRIPTION
1	000270-40	Spout, Garden Hose Outlet
2	B-0969	1/2" NPT Vacuum Breaker
3	001370-45	Plug Quick Disconnect
4	001371-45	Socket Quick Connect
5	000922-45	Lever Handle Screw
6	001660-45	Blue Index-CW
7	001638-45	Lever Handle
8	012442-40	Quarter-Turn Eterna Cartridge, LTC w/ Spring Check
9	002711-40	Quarter-Turn Eterna Cartridge, LTC w/ Spring Check, Handle, Index & Screw
10	001019-45	Coupling Nut Washer
11	00AA	1/2" NPT Female Eccentric Flange
12	B-0425-M	1/2" NPT Supply Nipple Kit (2)
13	000999-45	Brass Lock Washer
14	002954-45	Shank Lock Nut
15	002712-40	Quarter-Turn Eterna Cartridge, RTC w/ Check Valve, Handle, Index & Screw
16	012443-40	Quarter-Turn Eterna Cartridge, RTC w/ Check Valve
17	001661-45	Red Index-HW



**Product Specifications:**

8" Wall Mount Polished Chrome Service Sink Mixing Faucet, Quarter-Turn Eterna Cartridges w/ Spring Checks, Lever Handles, Male Garden Hose Outlet w/ Quick Disconnect Fitting, 1/2" NPT Vacuum Breaker & 1/2" NPT Male Inlets

**Product Compliance:**

ASME A112.18.1 / CSA B125.1  
NSF 61 - Section 9  
NSF 372 (Low Lead Content)  
ASSE 1001 (VB)