



T&S BRASS AND BRONZE WORKS, INC.
 2 Saddleback Cove / P.O. Box 1088
 Travelers Rest, SC 29690

Model No.
B-2266

Item No.

Travelers Rest, SC: 800-476-4103 • Simi Valley, CA: 800-423-0150 • Fax: 864-834-3518 • www.tsbrass.com



ADA Compliant

This Space for Architect/Engineer Approval

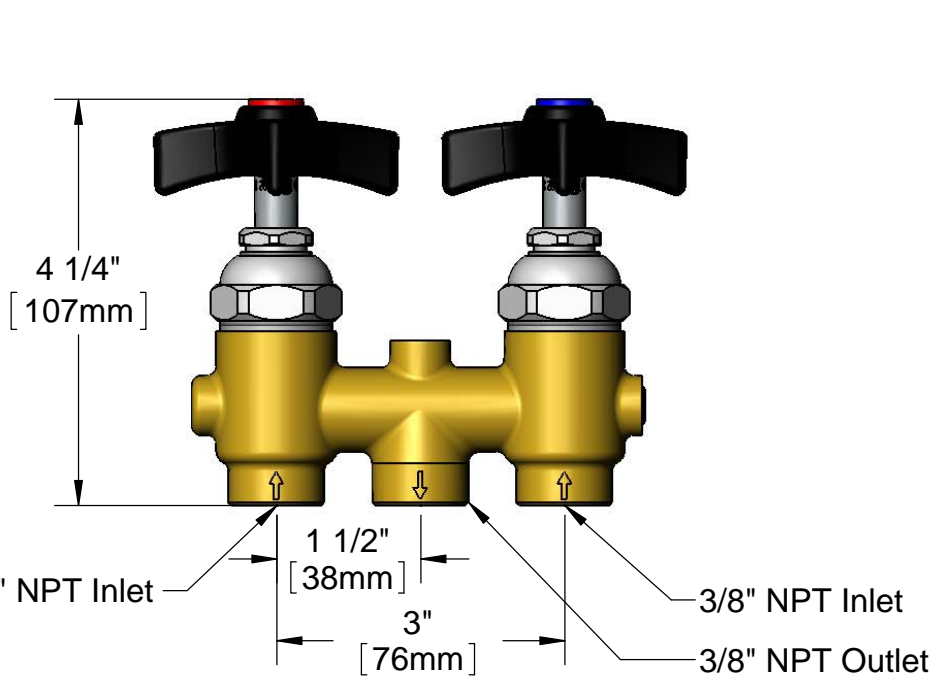
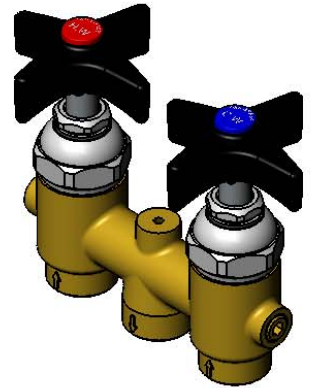
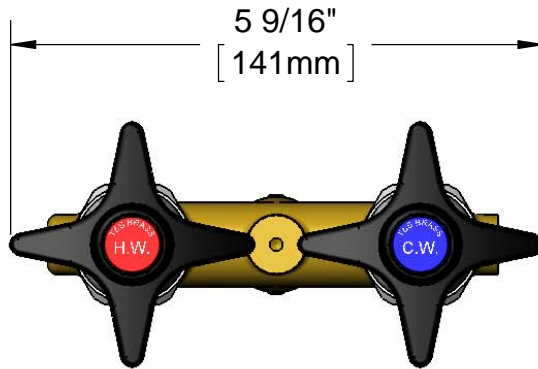
Job Name _____ Date _____

Model Specified _____ Quantity _____

Customer/Wholesaler _____

Contractor _____

Architect/Engineer _____



Rough-In Requirement:
 (2) \varnothing 1 9/16" [40mm] Faucet Mounting Holes
 \varnothing 1/4" [6mm] Center Mounting Screw

Product Specifications:
 Concealed Mixing Faucet w/ Black Polypropylene 4-Arm Handles

Product Compliance:
 ASME A112.18.1 / CSA B125.1
 NSF 61 - Section 9
 NSF 372 (Low Lead Content)
 ANSI A117.1 (ADA)



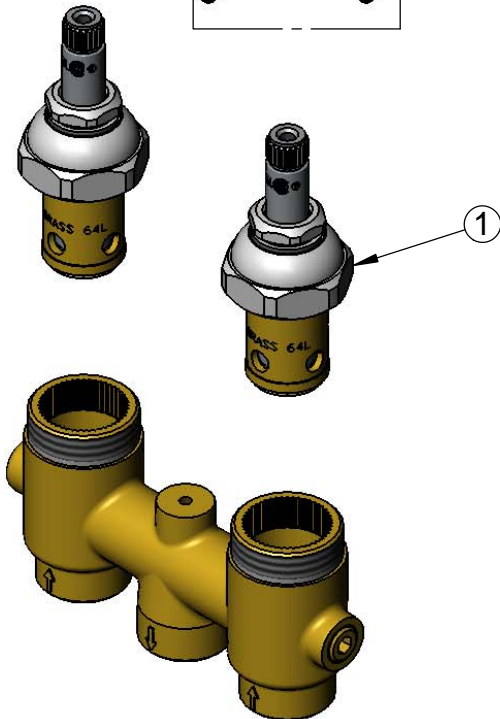
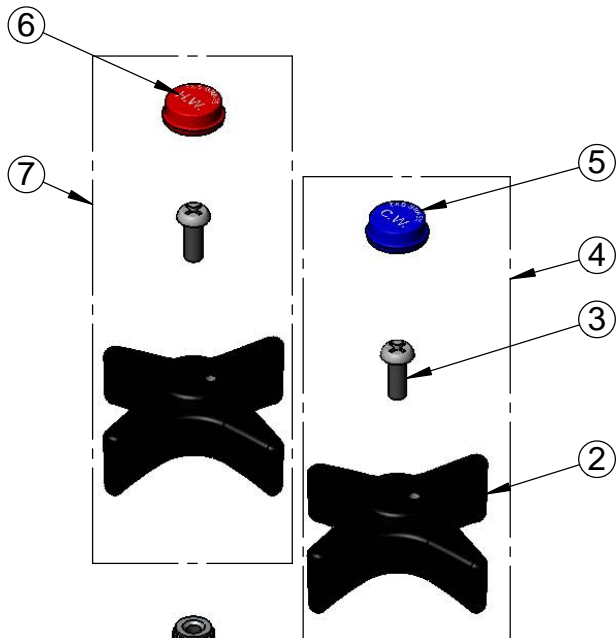
T&S BRASS AND BRONZE WORKS, INC.
 2 Saddleback Cove / P.O. Box 1088
 Travelers Rest, SC 29690

Model No.
B-2266

Item No.

Travelers Rest, SC: 800-476-4103 • Simi Valley, CA: 800-423-0150 • Fax: 864-834-3518 • www.tsbrass.com

ITEM NO.	SALES NO.	DESCRIPTION
1	006020-40	Eterna Cartridge, RTC
2	193L	Black Polypropylene 4-Arm Handle
3	000925-45	Lab Handle Screw
4	193LC	Black Polypropylene 4-Arm Handle w/ Cold Index
5	001686-45	Blue Index - CW
6	001194-45	Red Index - HW
7	193LH	Black Polypropylene 4-Arm Handle w/ Hot Index



Product Specifications:
 Concealed Mixing Faucet w/ Black Polypropylene 4-Arm Handles

Product Compliance:
 ASME A112.18.1 / CSA B125.1
 NSF 61 - Section 9
 NSF 372 (Low Lead Content)
 ANSI A117.1 (ADA)