



# T&S BRASS AND BRONZE WORKS, INC.

2 Saddleback Cove / P.O. Box 1088  
Travelers Rest, SC 29690

Model No.

**B-2261-12-CR-B**

Item No.

Travelers Rest, SC: 800-476-4103 • Simi Valley, CA: 800-423-0150 • Fax: 864-834-3518 • www.tsbrass.com

This Space for Architect/Engineer Approval

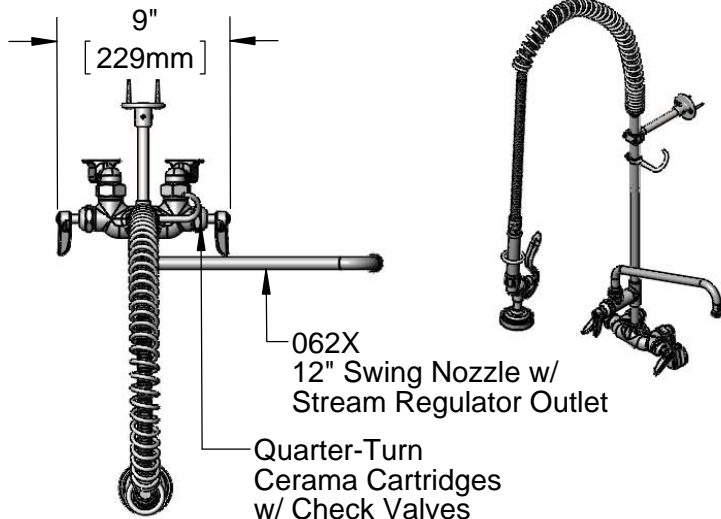
Job Name \_\_\_\_\_ Date \_\_\_\_\_

Model Specified \_\_\_\_\_ Quantity \_\_\_\_\_

Customer/Wholesaler \_\_\_\_\_

Contractor \_\_\_\_\_

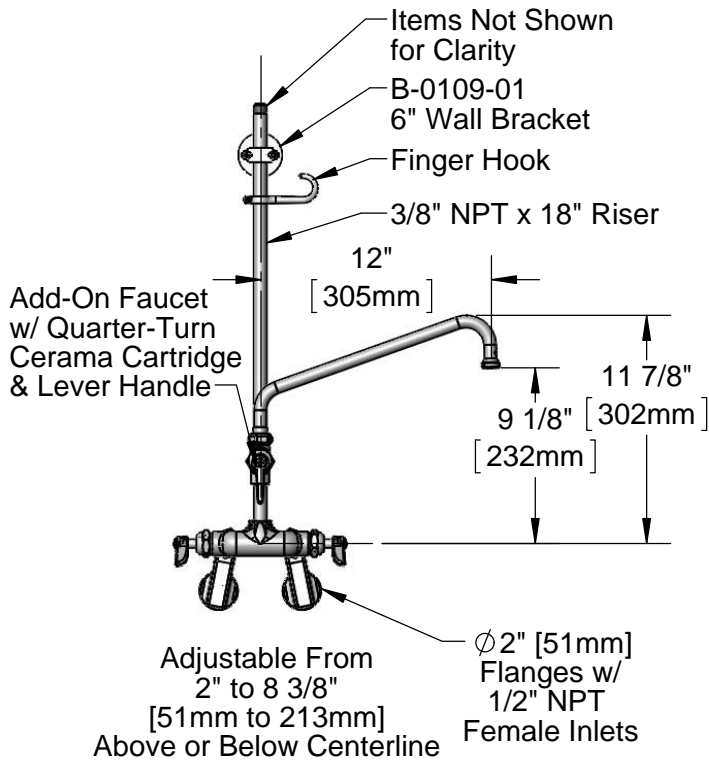
Architect/Engineer \_\_\_\_\_



062X  
12" Swing Nozzle w/  
Stream Regulator Outlet

Quarter-Turn  
Cerama Cartridges  
w/ Check Valves  
& Lever Handles  
w/ Color Coded  
Indexes

44" Flexible Stainless  
Steel Hose w/ Spring  
& Spray Valve



Items Not Shown  
for Clarity

B-0109-01  
6" Wall Bracket

Finger Hook

3/8" NPT x 18" Riser

Add-On Faucet  
w/ Quarter-Turn  
Cerama Cartridge  
& Lever Handle

12"  
[305mm]

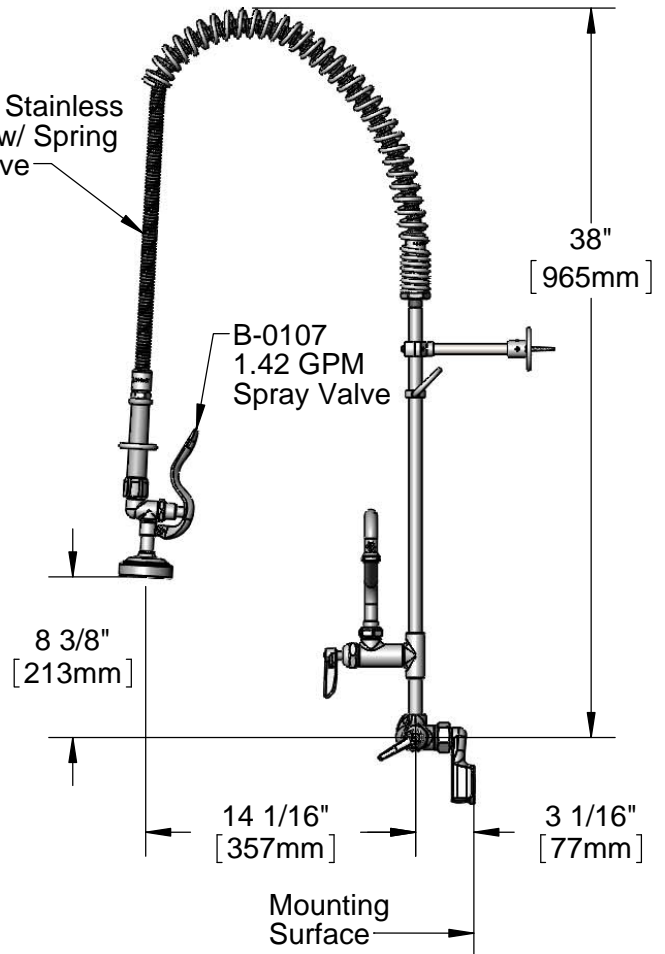
11 7/8"  
[302mm]

9 1/8"  
[232mm]

Adjustable From  
2" to 8 3/8"  
[51mm to 213mm]

Above or Below Centerline

Ø2" [51mm]  
Flanges w/  
1/2" NPT  
Female Inlets



B-0107  
1.42 GPM  
Spray Valve

38"  
[965mm]

8 3/8"  
[213mm]

14 1/16"  
[357mm]

3 1/16"  
[77mm]

Mounting  
Surface

**Product Specifications:**

Pre-Rinse Unit: Adjustable Wall Mount Mixing Faucet, Quarter-Turn Cerama Cartridges w/ Check Valves, Lever Handles, 44" Flexible Stainless Steel Hose, 18" Riser, 1.42 GPM Spray Valve, Add-On Faucet w/ 12" Swing Nozzle, 6" Wall Bracket & 1/2" NPT Female Adjustable Flange Inlets

**Product Compliance:**

ASME A112.18.1 / CSA B125.1  
NSF 61 - Section 9  
NSF 372 (Low Lead Content)  
EPA Act 2005 (PRSV)



# T&S BRASS AND BRONZE WORKS, INC.

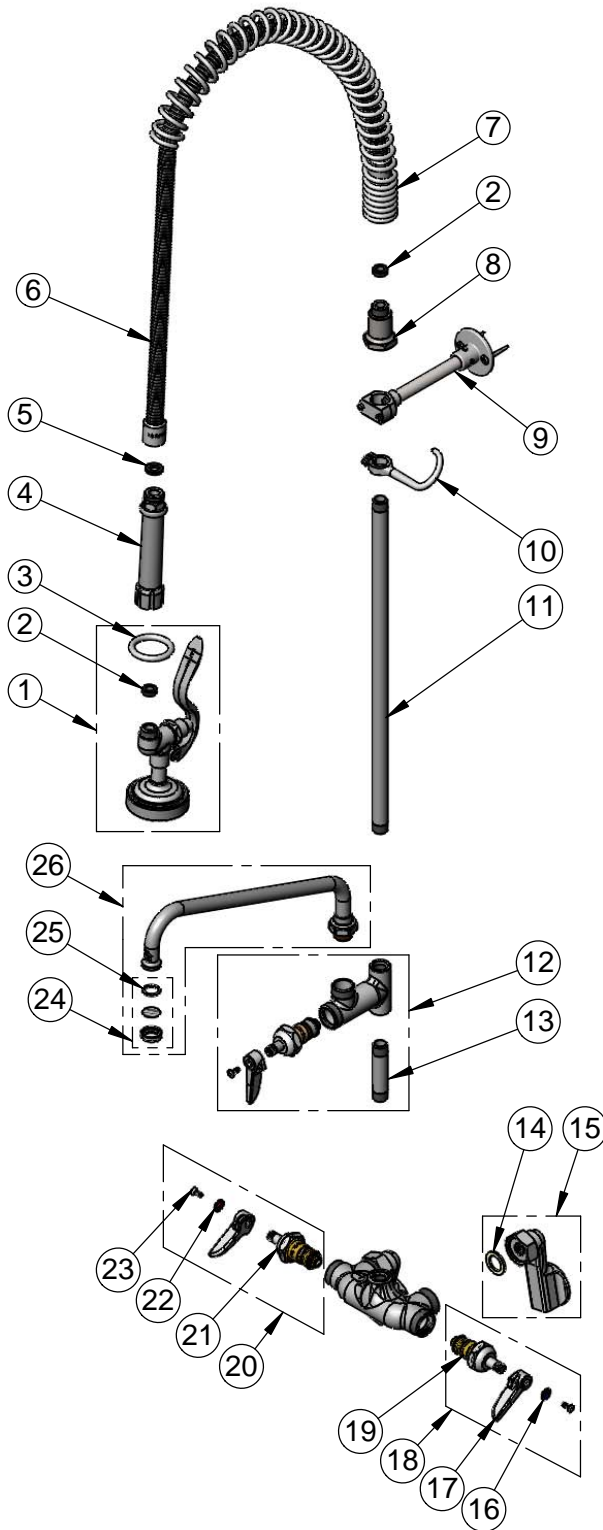
2 Saddleback Cove / P.O. Box 1088  
Travelers Rest, SC 29690

Model No.

**B-2261-12-CR-B**

Item No.

Travelers Rest, SC: 800-476-4103 • Simi Valley, CA: 800-423-0150 • Fax: 864-834-3518 • www.tsbrass.com



ITEM NO.	SALES NO.	DESCRIPTION
1	B-0107	1.42 GPM Spray Valve
2	010476-45	#27 Washer
3	000907-45	Spray Valve Hold Down Ring
4	002987-40	Grip Handle
5	001014-45	Washer, B-0100 Hose Barrel
6	B-0044-H2A	44" Flexible Stainless Steel Hose, Less Handle
7	000888-45	EasyInstall Overhead Spring
8	000821-40	Spring Body
9	B-0109-01	6" Wall Bracket
10	004R	Finger Hook
11	000369-40	3/8" NPT x 18" Riser
12	B-0155-CR-LN	Add-On Faucet w/ Quarter-Turn Cerama Cartridge & Lever Handle, Less Nozzle
13	000358-40	Nipple, 3/8" NPT x 3"
14	001019-45	Coupling Nut Washer
15	00GG	1/2" NPT Female Adjustable Flange
16	001660-45	Blue Index-CW
17	001638-45	Lever Handle
18	012447-25	Quarter-Turn Cerama Cartridge, LTC w/ Check Valve, Handle, Index & Screw
19	012442-40	Quarter-Turn Eterna Cartridge, LTC w/ Check Valve
20	012446-25	Quarter-Turn Cerama Cartridge, RTC w/ Check Valve, Handle, Index & Screw
21	012396-25	Quarter-Turn Eterna Cartridge, RTC w/ Check Valve
22	001661-45	Red Index-HW
23	000922-45	Lever Handle Screw
24	B-PT	Stream Regulator Outlet
25	001048-45	Nozzle Tip Washer
26	062X	12" Swing Nozzle w/ Stream Regulator Outlet

**Product Specifications:**

Pre-Rinse Unit: Adjustable Wall Mount Mixing Faucet, Quarter-Turn Cerama Cartridges w/ Check Valves, Lever Handles, 44" Flexible Stainless Steel Hose, 18" Riser, 1.42 GPM Spray Valve, Add-On Faucet w/ 12" Swing Nozzle, 6" Wall Bracket & 1/2" NPT Female Adjustable Flange Inlets

**Product Compliance:**

ASME A112.18.1 / CSA B125.1  
NSF 61 - Section 9  
NSF 372 (Low Lead Content)  
EPA Act 2005 (PRSV)