



T&S BRASS AND BRONZE WORKS, INC.

2 Saddleback Cove / P.O. Box 1088
Travelers Rest, SC 29690

Model No.

B-2194

Item No.

Travelers Rest, SC: 800-476-4103 • Simi Valley, CA: 800-423-0150 • Fax: 864-834-3518 • www.tsbrass.com

This Space for Architect/Engineer Approval

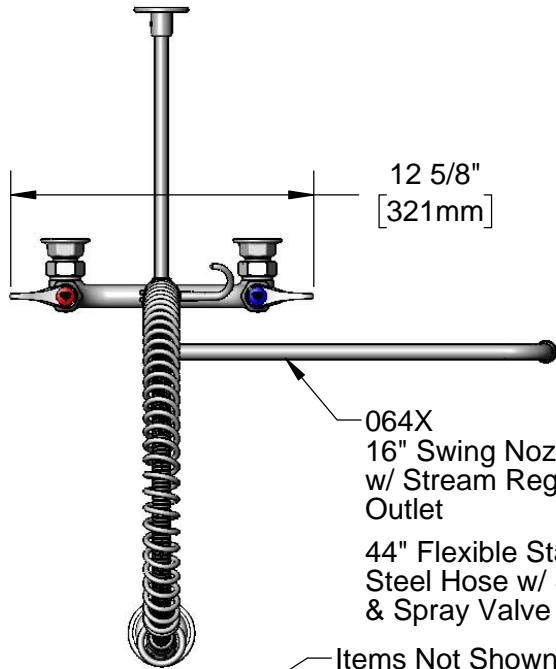
Job Name _____ Date _____

Model Specified _____ Quantity _____

Customer/Wholesaler _____

Contractor _____

Architect/Engineer _____



12 5/8"
[321mm]

064X
16" Swing Nozzle
w/ Stream Regulator
Outlet
44" Flexible Stainless
Steel Hose w/ Spring
& Spray Valve

Items Not Shown
For Clarity

3/8" NPT x 18"
Riser

Finger Hook

16"
[407mm]

10 3/8"
[264mm]

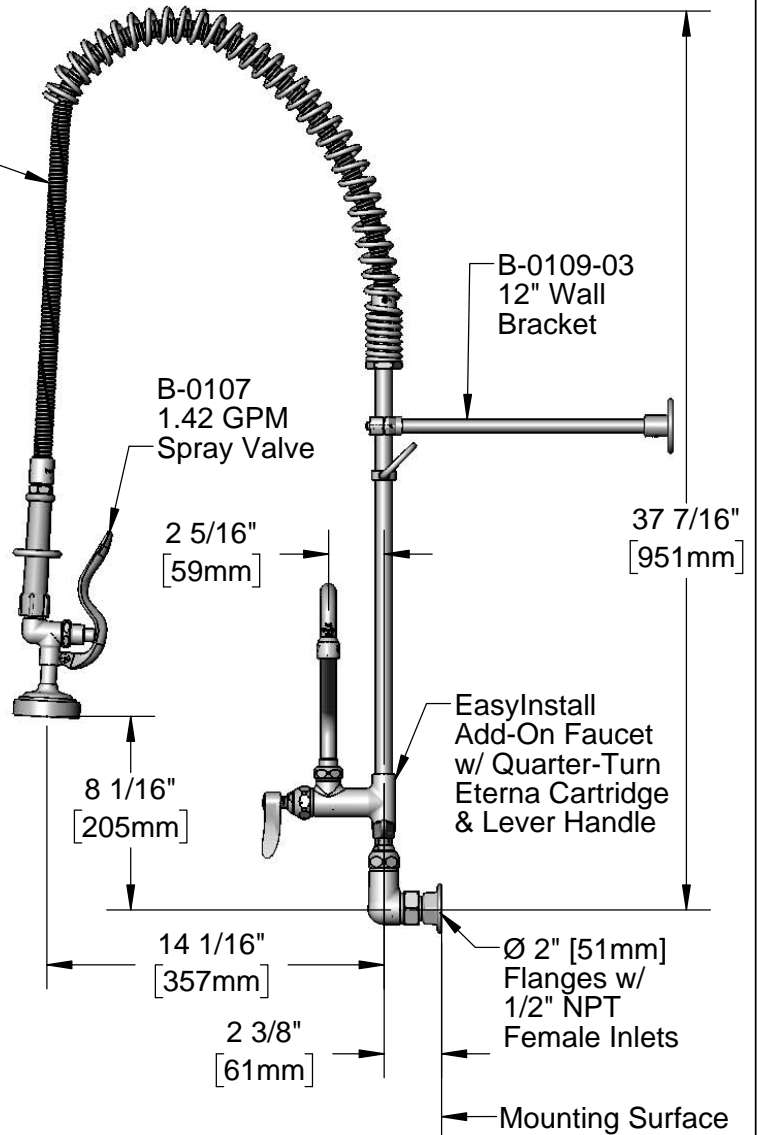
13 9/16"
[344mm]

EasyInstall
Lock Nut &
Bushing

8"
[203mm]

Adjustable From
7 3/4" to 8 1/4"
[197mm to 210mm]

Quarter-Turn
Eterna Cartridges w/
Spring Checks &
Lever Handles w/
Color Coded Indexes



B-0109-03
12" Wall
Bracket

B-0107
1.42 GPM
Spray Valve

2 5/16"
[59mm]

37 7/16"
[951mm]

8 1/16"
[205mm]

14 1/16"
[357mm]

2 3/8"
[61mm]

EasyInstall
Add-On Faucet
w/ Quarter-Turn
Eterna Cartridge
& Lever Handle

Ø 2" [51mm]
Flanges w/
1/2" NPT
Female Inlets

Mounting Surface

Product Specifications:

Pre-Rinse Unit: 8" Wall Mount Mixing Faucet, Quarter-Turn Eterna Cartridges w/ Spring Checks, Add-On Faucet, 16" Swing Nozzle, 44" Flexible Stainless Steel Hose, 1.42 GPM Spray Valve, 12" Wall Bracket & 1/2" NPT Female Inlets

Product Compliance:

ASME A112.18.1 / CSA B125.1
NSF 61 - Section 9
NSF 372 (Low Lead Content)
EPA Act 2005 (PRSV)



T&S BRASS AND BRONZE WORKS, INC.

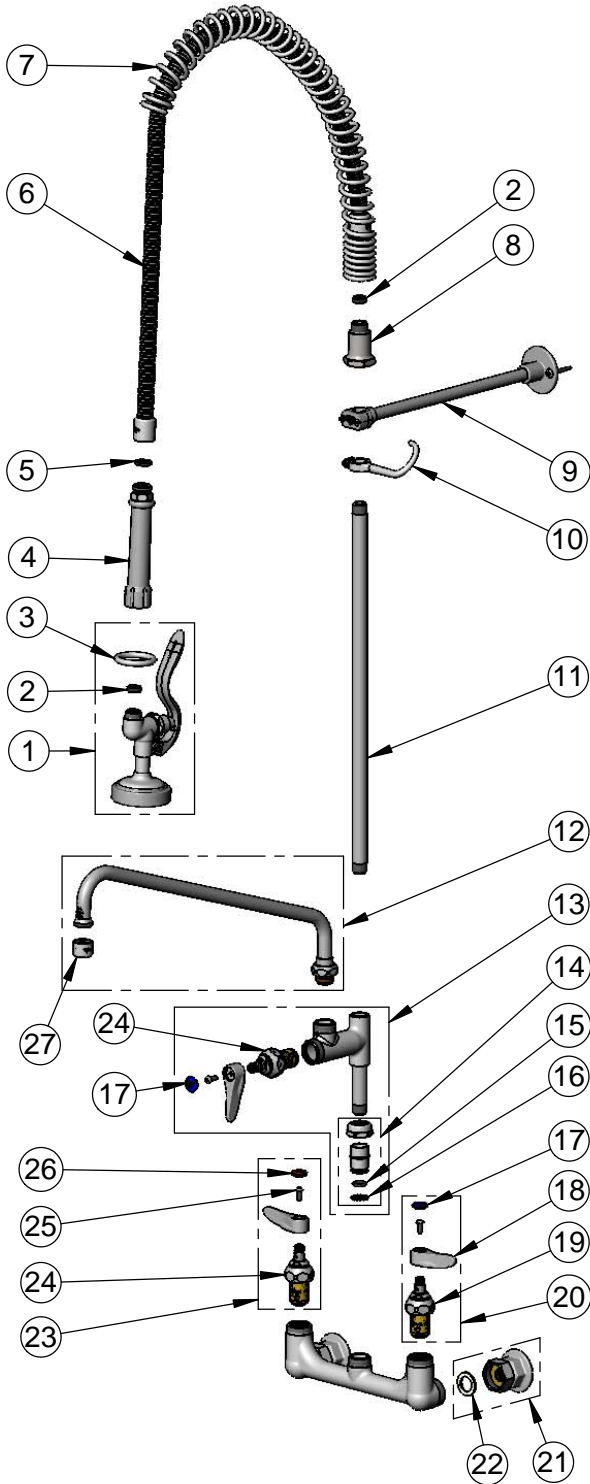
2 Saddleback Cove / P.O. Box 1088
Travelers Rest, SC 29690

Model No.

B-2194

Item No.

Travelers Rest, SC: 800-476-4103 • Simi Valley, CA: 800-423-0150 • Fax: 864-834-3518 • www.tsbrass.com



ITEM NO.	SALES NO.	DESCRIPTION
1	B-0107	1.42 GPM Spray Valve
2	010476-45	#27 Washer
3	000907-45	Spray Valve Hold Down Ring
4	002987-40	Grip Handle
5	001014-45	Washer, B-0100 Hose Barrel
6	B-0044-H2A	44" Flexible Stainless Steel Hose, Less Handle
7	000888-45	EasyInstall Overhead Spring
8	000821-40	Spring Body
9	B-0109-03	12" Wall Bracket
10	004R	Finger Hook
11	000369-40	3/8" NPT x 18" Riser
12	064X	16" Swing Nozzle
13	B-0155-LNEZ	EasyInstall Add-On Faucet, Less Nozzle
14	EZ-K	EasyInstall Kit
15	001065-45	O-Ring
16	014200-45	Star Washer, Anti-Rotation
17	018506-19NS	Blue Button Index, Press-in
18	001638-45NS	Lever Handle (New Style)
19	012442-40NS	Quarter-Turn Eterna Cartridge w/ Spring Check, LTC
20	002711-40NS	Quarter-Turn Eterna Cartridge w/ Spring Check, Handle, Blue Index & Screw, LTC
21	00AA	1/2" NPT Female Eccentric Flange
22	001019-45	Coupling Nut Washer
23	002712-40NS	Quarter-Turn Eterna Cartridge w/ Spring Check, Handle, Red Index & Screw, RTC
24	012443-40NS	Quarter-Turn Eterna Cartridge w/ Spring Check, RTC
25	000925-45	Lab Handle Screw
26	001193-19NS	Red Button Index, Press-in
27	B-PT	Full Flow Stream Regulator, 55/64-27

Product Specifications:

Pre-Rinse Unit: 8" Wall Mount Mixing Faucet, Quarter-Turn Eterna Cartridges w/ Spring Checks, Add-On Faucet, 16" Swing Nozzle, 44" Flexible Stainless Steel Hose, 1.42 GPM Spray Valve, 12" Wall Bracket & 1/2" NPT Female Inlets

Product Compliance:

ASME A112.18.1 / CSA B125.1
NSF 61 - Section 9
NSF 372 (Low Lead Content)
EPA Act 2005 (PRSV)