



**T&S BRASS AND BRONZE WORKS, INC.**  
 2 Saddleback Cove / P.O. Box 1088  
 Travelers Rest, SC 29690

Model No.  
**B-2137**

Item No.

Travelers Rest, SC: 800-476-4103 • Simi Valley, CA: 800-423-0150 • Fax: 864-834-3518 • www.tsbrass.com

This Space for Architect/Engineer Approval

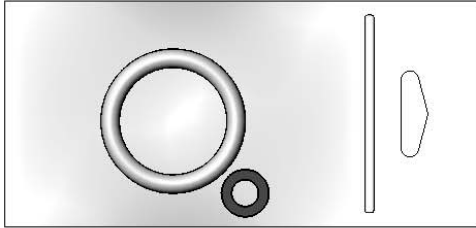
Job Name \_\_\_\_\_ Date \_\_\_\_\_

Model Specified \_\_\_\_\_ Quantity \_\_\_\_\_

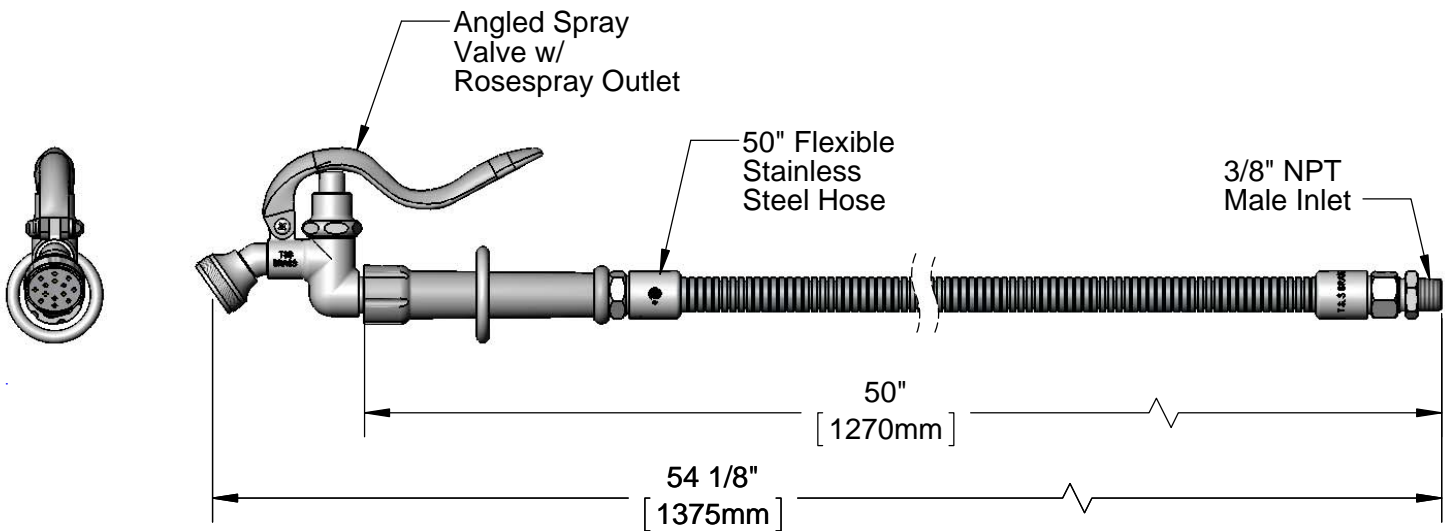
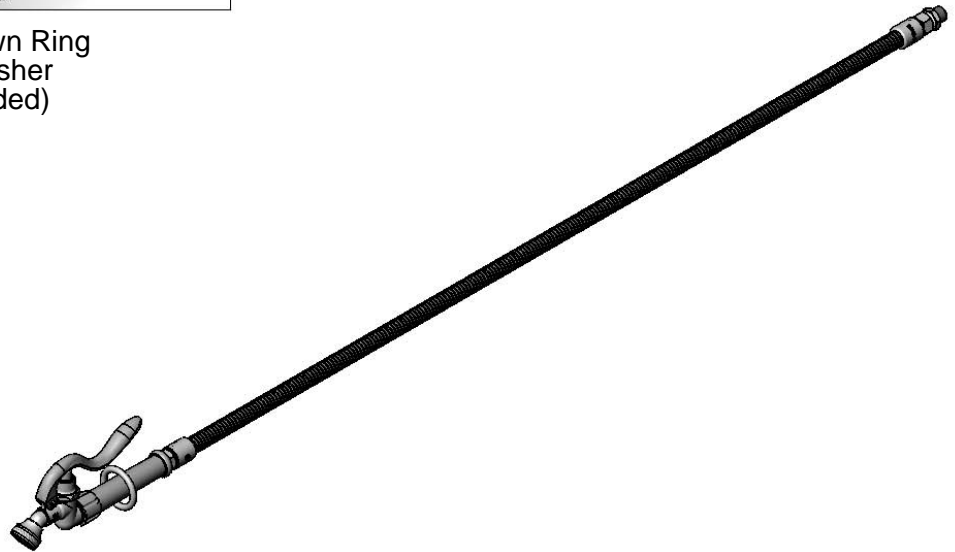
Customer/Wholesaler \_\_\_\_\_

Contractor \_\_\_\_\_

Architect/Engineer \_\_\_\_\_



Hold Down Ring  
& Washer  
(Included)



Product Specifications:  
 Pre-Rinse Unit Accessory: Rosespray Angled Spray Valve, 50" Flexible Stainless Steel Hose and 3/8" NPT Male Inlet Adapter

Product Compliance:  
 ASME A112.18.1 / CSA B125.1  
 NSF 61 - Section 9  
 NSF 372 (Low Lead Content)  
 EPA Act 2005 Non-Compliant (PRSV)



# T&S BRASS AND BRONZE WORKS, INC.

2 Saddleback Cove / P.O. Box 1088  
Travelers Rest, SC 29690

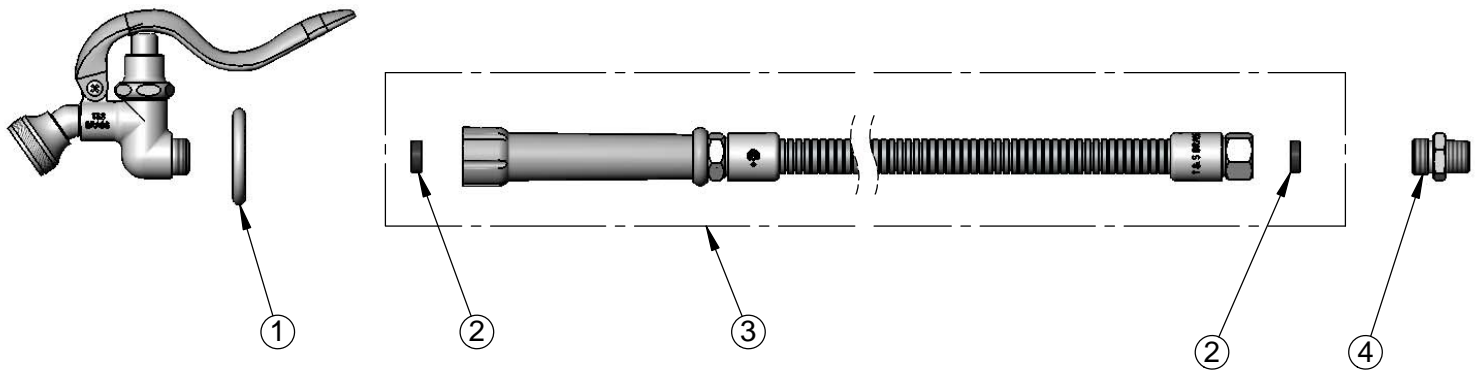
Model No.

**B-2137**

Item No.

Travelers Rest, SC: 800-476-4103 • Simi Valley, CA: 800-423-0150 • Fax: 864-834-3518 • www.tsbrass.com

ITEM NO.	SALES NO.	DESCRIPTION
1	000907-45	Spray Valve Hold Down Ring
2	010476-45	#27 Washer
3	B-0050-H	50" Flexible Stainless Steel Hose
4	053A	Adapter, 3/8" NPT Male



**Product Specifications:**

Pre-Rinse Unit Accessory: Rosespray Angled Spray Valve, 50" Flexible Stainless Steel Hose and 3/8" NPT Male Inlet Adapter

**Product Compliance:**

ASME A112.18.1 / CSA B125.1  
NSF 61 - Section 9  
NSF 372 (Low Lead Content)  
EPA Act 2005 Non-Compliant (PRSV)