

T&S BRASS AND BRONZE WORKS, INC.

2 SADDLEBACK COVE / P.O. BOX 1088 / TRAVELERS REST, SC 29690

PHONE 800-476-4103

FAX 864- 834-3518



REG.#A2601
ISO #9002

Model No.

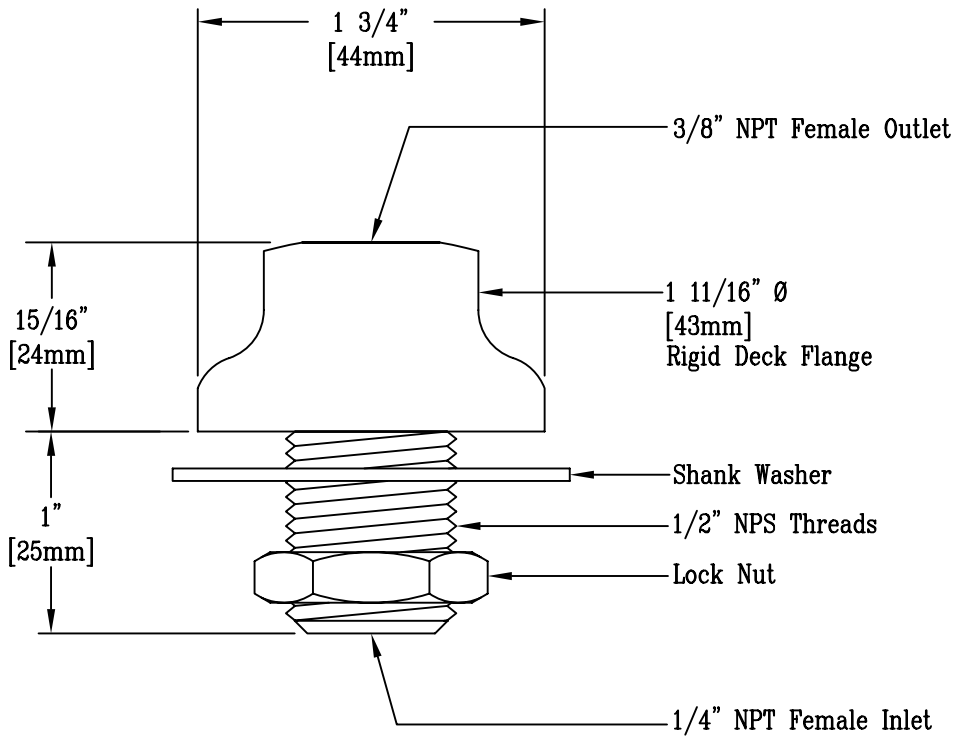
B-1983

Item No.:

Job Name:

Architect/Engineer Approval:

Notes:



Note: Rough-In Required:
Ø7/8 For Shank

Product Description:

Rigid Deck Mount Base Assembly,
1/4" NPT Female Inlet & 3/8" NPT Female Outlet

Drawn:

BHR

Checked

JRM

Scale:

1:1

Approved

JHB

Date:

8/17/07