



T&S BRASS AND BRONZE WORKS, INC.

2 Saddleback Cove / P.O. Box 1088
Travelers Rest, SC 29690

Model No.

B-1958

Item No.

Travelers Rest, SC: 800-476-4103 • Simi Valley, CA: 800-423-0150 • Fax: 864-834-3518 • www.tsbrass.com



ADA Compliant

This Space for Architect/Engineer Approval

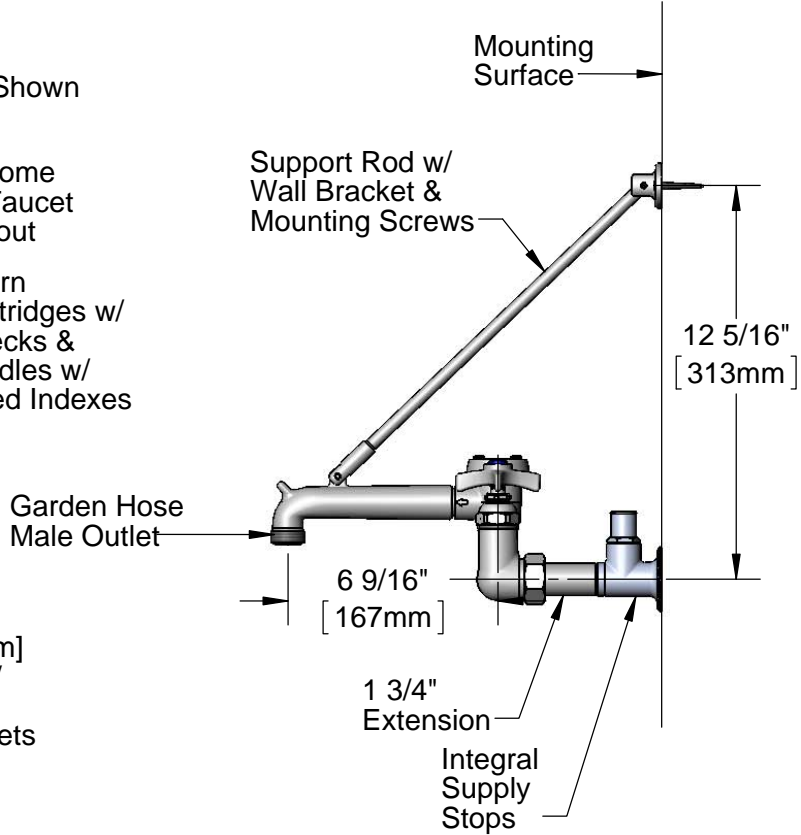
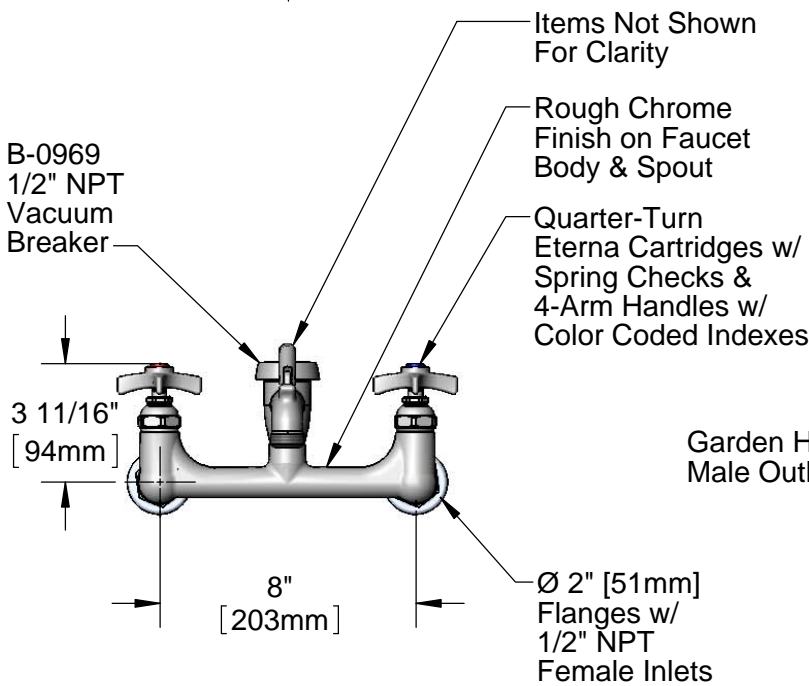
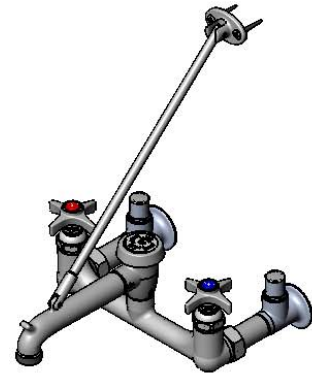
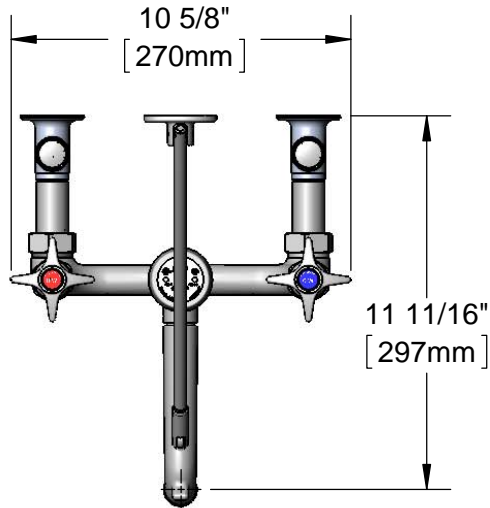
Job Name _____ Date _____

Model Specified _____ Quantity _____

Customer/Wholesaler _____

Contractor _____

Architect/Engineer _____



Product Specifications:

8" Wall Mount Service Sink, Quarter-Turn Eterna Cartridges w/ Spring Checks, 4-Arm Handles, Upper Support Rod, Garden Hose Male Outlet, Rough Chrome Finish, 1/2" NPT Vacuum Breaker, 1/2" NPT Female Extension Inlets and Loose Key Stops

Product Compliance:

ASME A112.18.1 / CSA B125.1
NSF 61 - Section 9
NSF 372 (Low Lead Content)
ANSI A117.1 (ADA)
ASSE 1001 (VB)

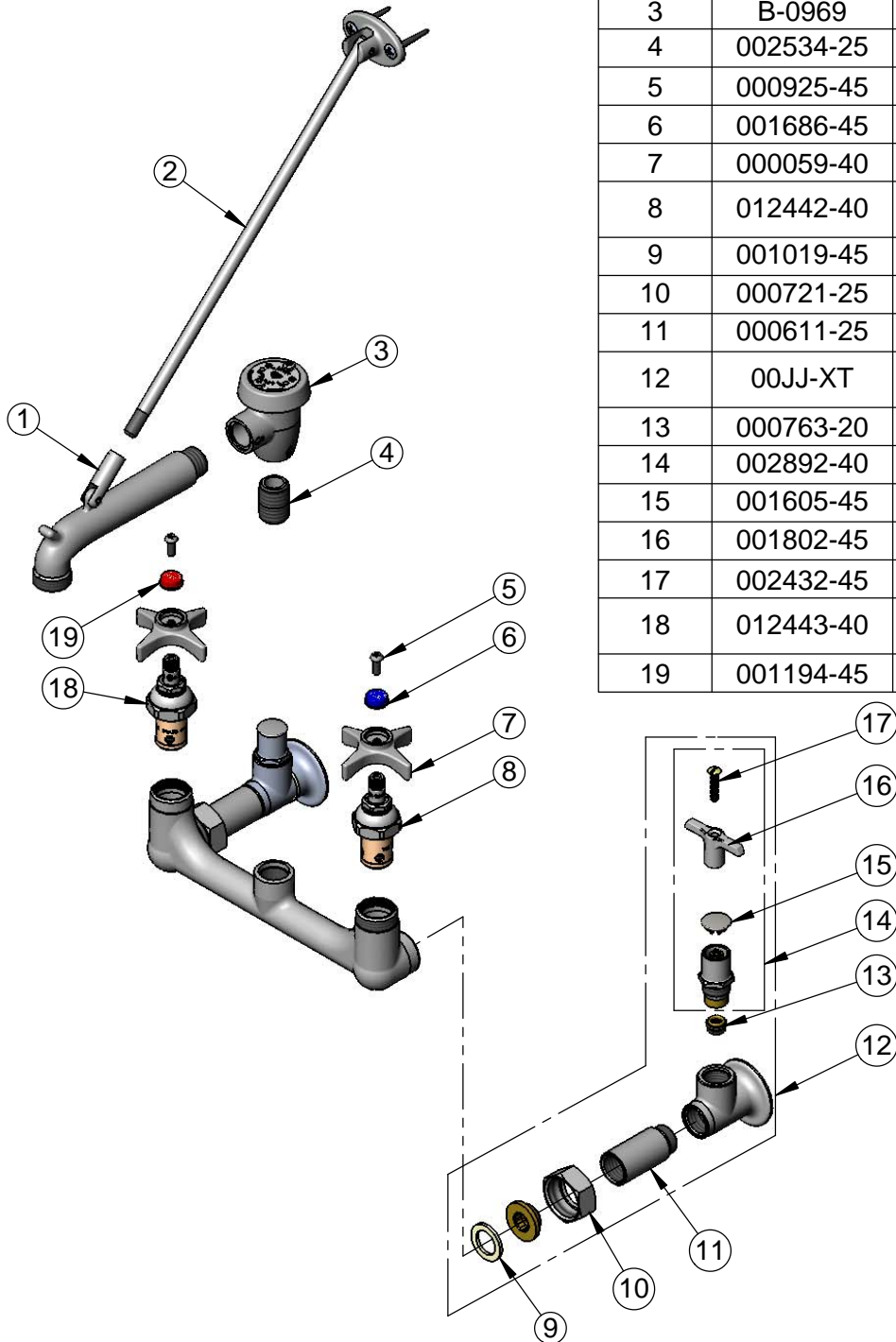


T&S BRASS AND BRONZE WORKS, INC.
 2 Saddleback Cove / P.O. Box 1088
 Travelers Rest, SC 29690

Model No.
B-1958
 Item No.

Travelers Rest, SC: 800-476-4103 • Simi Valley, CA: 800-423-0150 • Fax: 864-834-3518 • www.tsbrass.com

ITEM NO.	SALES NO.	DESCRIPTION
1	004713-25	Clevis
2	009546-40	Suprt Rod B-0665 - Polish Chrome
3	B-0969	1/2" NPT Vacuum Breaker
4	002534-25	Close Nipple, 1/2" NPT
5	000925-45	Lab Handle Screw
6	001686-45	Blue Index - CW
7	000059-40	4-Arm Lab Handle
8	012442-40	Quarter-Turn Eterna Cartridge, LTC w/ Spring Check
9	001019-45	Coupling Nut Washer
10	000721-25	Flange Coupling Nut
11	000611-25	Extension, 1 3/4" Long
12	00JJ-XT	1/2" NPT Female Inlet Assembly w/ Integral Stop and Extension
13	000763-20	Seat
14	002892-40	Spindle Assembly w/ Cap
15	001605-45	Cap
16	001802-45	Handle, Supply Stop "T"
17	002432-45	Screw, Tee Handle
18	012443-40	Quarter-Turn Eterna Cartridge, RTC w/ Spring Check
19	001194-45	Red Index - HW



Product Specifications:

8" Wall Mount Service Sink, Quarter-Turn Eterna Cartridges w/ Spring Checks, 4-Arm Handles, Upper Support Rod, Garden Hose Male Outlet, Rough Chrome Finish, 1/2" NPT Vacuum Breaker, 1/2" NPT Female Extension Inlets and Loose Key Stops

Product Compliance:

ASME A112.18.1 / CSA B125.1
 NSF 61 - Section 9
 NSF 372 (Low Lead Content)
 ANSI A117.1 (ADA)
 ASSE 1001 (VB)