



T&S BRASS AND BRONZE WORKS, INC.
 2 Saddleback Cove / P.O. Box 1088
 Travelers Rest, SC 29690

Model No.
B-1480

Item No.

Travelers Rest, SC: 800-476-4103 • Simi Valley, CA: 800-423-0150 • Fax: 864-834-3518 • www.tsbrass.com

This Space for Architect/Engineer Approval

Job Name _____ Date _____
 Model Specified _____ Quantity _____
 Customer/Wholesaler _____
 Contractor _____
 Architect/Engineer _____

B-0963
 Continuous Pressure
 Vacuum Breaker
 w/ Integral
 Check Valve

1/2" NPT x 36"
 Flexible Water
 Connector to
 Hose Reel

1/2" NPT x 32" Riser

Stainless Steel
 Quick Disconnect

Control Valve

1/2" NPT x 18" Riser

(2) B-0110
 Wall Brackets

12 7/16"
 [315mm]

Ø 2" [51mm]
 Flanges w/
 1/2" NPT
 Female Inlets

Open Stainless Steel Hose Reel
 w/ 50' of 1/2" Hose

019653-40
 1/2" NPT
 Live Swivel

Front Trigger
 Water Gun

Quarter-Turn
 Eterna Cartridges
 w/ Spring Checks
 & Lever Handles
 w/ Color Coded
 Indexes

Ø 1/2"
 [13mm]
 Typ

6"
 [152mm]

3 5/8"
 [93mm]

8"
 [203mm]

Adjustable From
 7 3/4" to 8 1/4"
 [197mm to 210mm]

6 3/16"
 [158mm]

3 1/8"
 [79mm]

7 9/16"
 [193mm]

13/16"
 [21mm]

56 1/4"
 [1429mm]

19 7/16"
 [494mm]

2 3/8"
 [61mm]

Product Specifications:

Open Stainless Steel Hose Reel w/ 50' of 1/2" Hose, Front Trigger Water Gun w/ Swivel, 1/2" NPT Vacuum Breaker, 1/2" NPT Flexible Water Connector, 8" Wall Mount Mixing Faucet & Control Valve

Product Compliance:

NSF 61 Exempt (Non-Potable)
 EPA Act 2005 Non-Compliant (PRSV)
 ASSE 1056 (VB)

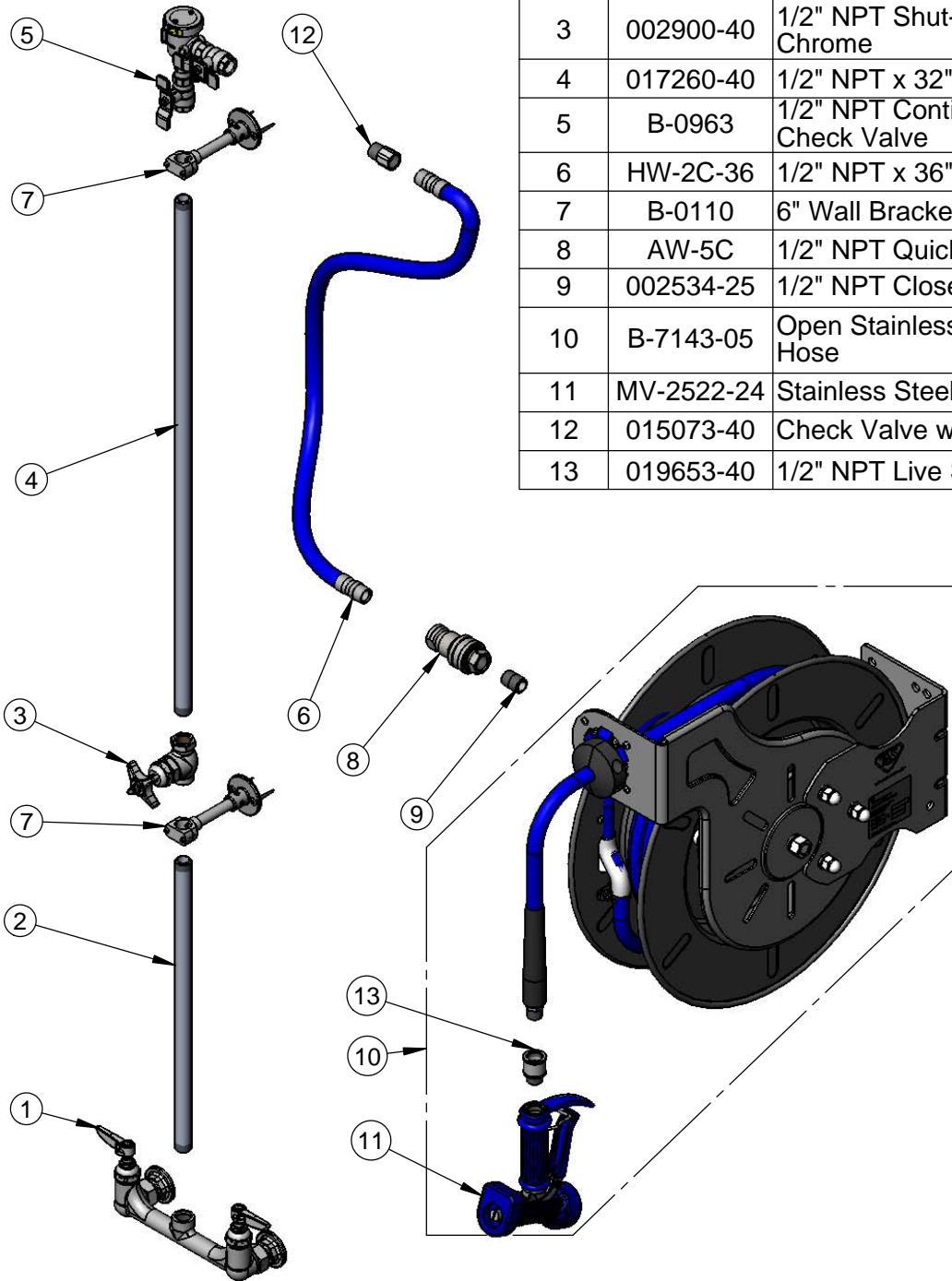


T&S BRASS AND BRONZE WORKS, INC.
 2 Saddleback Cove / P.O. Box 1088
 Travelers Rest, SC 29690

Model No.
B-1480
 Item No.

Travelers Rest, SC: 800-476-4103 • Simi Valley, CA: 800-423-0150 • Fax: 864-834-3518 • www.tsbrass.com

ITEM NO.	SALES NO.	DESCRIPTION
1	013988-40	8" Wall Mount Mixing Faucet
2	013963-40	1/2" NPT x 18" Riser
3	002900-40	1/2" NPT Shut-Off Control Valve, Polished Chrome
4	017260-40	1/2" NPT x 32" Riser
5	B-0963	1/2" NPT Continuous Pressure VB w/ Integral Check Valve
6	HW-2C-36	1/2" NPT x 36" Flexible Water Hose
7	B-0110	6" Wall Bracket
8	AW-5C	1/2" NPT Quick Disconnect
9	002534-25	1/2" NPT Close Nipple
10	B-7143-05	Open Stainless Steel Hose Reel w/ 50' of 1/2" Hose
11	MV-2522-24	Stainless Steel Water Gun, Front Trigger
12	015073-40	Check Valve w/ 1/2" NPT Adapter
13	019653-40	1/2" NPT Live Swivel



Product Specifications:

Open Stainless Steel Hose Reel w/ 50' of 1/2" Hose, Front Trigger Water Gun w/ Swivel, 1/2" NPT Vacuum Breaker, 1/2" NPT Flexible Water Connector, 8" Wall Mount Mixing Faucet & Control Valve

Product Compliance:

NSF 61 Exempt (Non-Potable)
 EPA Act 2005 Non-Compliant (PRSV)
 ASSE 1056 (VB)