



T&S BRASS AND BRONZE WORKS, INC.

2 Saddleback Cove / P.O. Box 1088
Travelers Rest, SC 29690

Model No.

B-1459-7132-01

Item No.

Travelers Rest, SC: 800-476-4103 • Simi Valley, CA: 800-423-0150 • Fax: 864-834-3518 • www.tsbrass.com

This Space for Architect/Engineer Approval

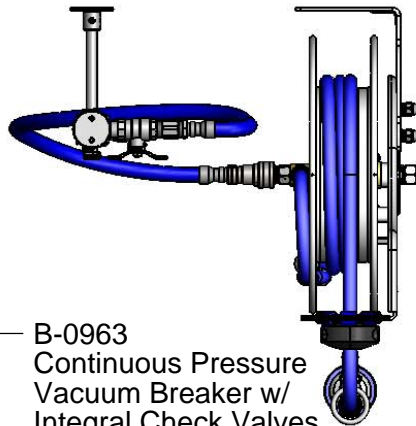
Job Name _____ Date _____

Model Specified _____ Quantity _____

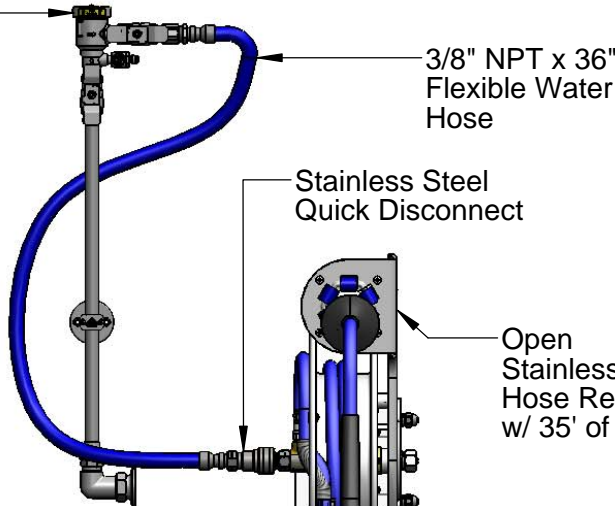
Customer/Wholesaler _____

Contractor _____

Architect/Engineer _____

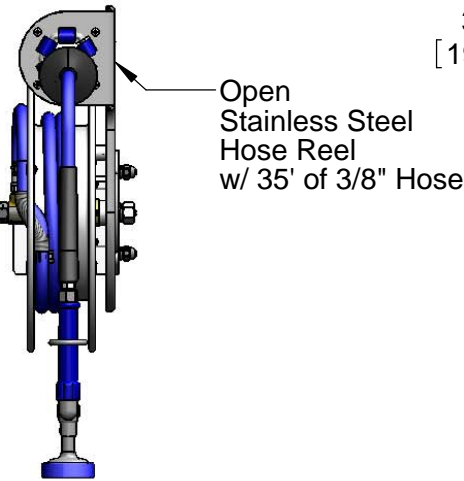


B-0963
Continuous Pressure
Vacuum Breaker w/
Integral Check Valves



3/8" NPT x 36"
Flexible Water
Hose

Stainless Steel
Quick Disconnect

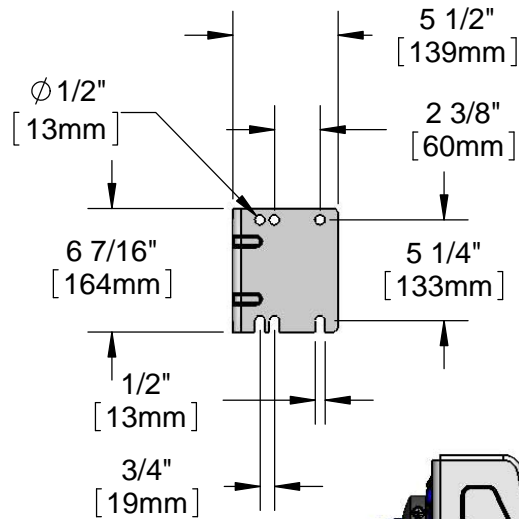


Open
Stainless Steel
Hose Reel
w/ 35' of 3/8" Hose

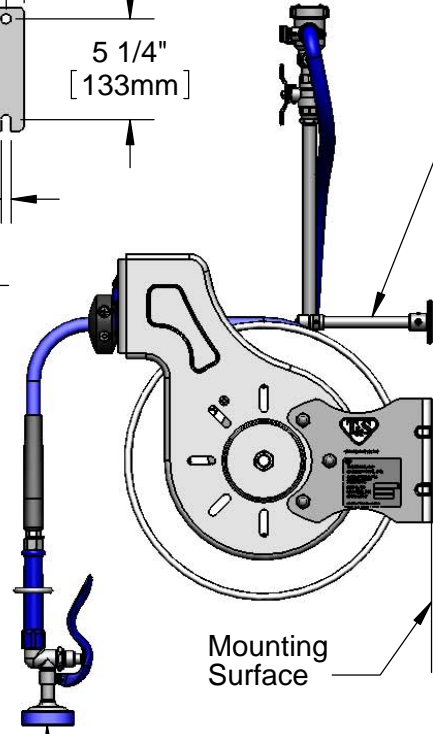
(2) B-CVH1-2
1/2" NPT
Check Valves
(Included)



B-0512
3" Concealed Mixing Faucet
& 4-Arm Handles
w/ Color-Coded Indexes
(Included)



B-0109-01
6" Wall Bracket



Mounting
Surface

EB-0107
High Flow
Spray Valve

Product Specifications:

Open Stainless Steel Hose Reel w/ 35' of 3/8" Hose, High Flow Spray Valve, Vacuum Breaker, 3/8" NPT Flexible Water Hose, 3" Concealed Mixing Valve & Check Valves

Product Compliance:

NSF 61 Exempt (Non-Potable)
EPA Act 2005 Non-Compliant (PRSV)
ASSE 1056 (VB)

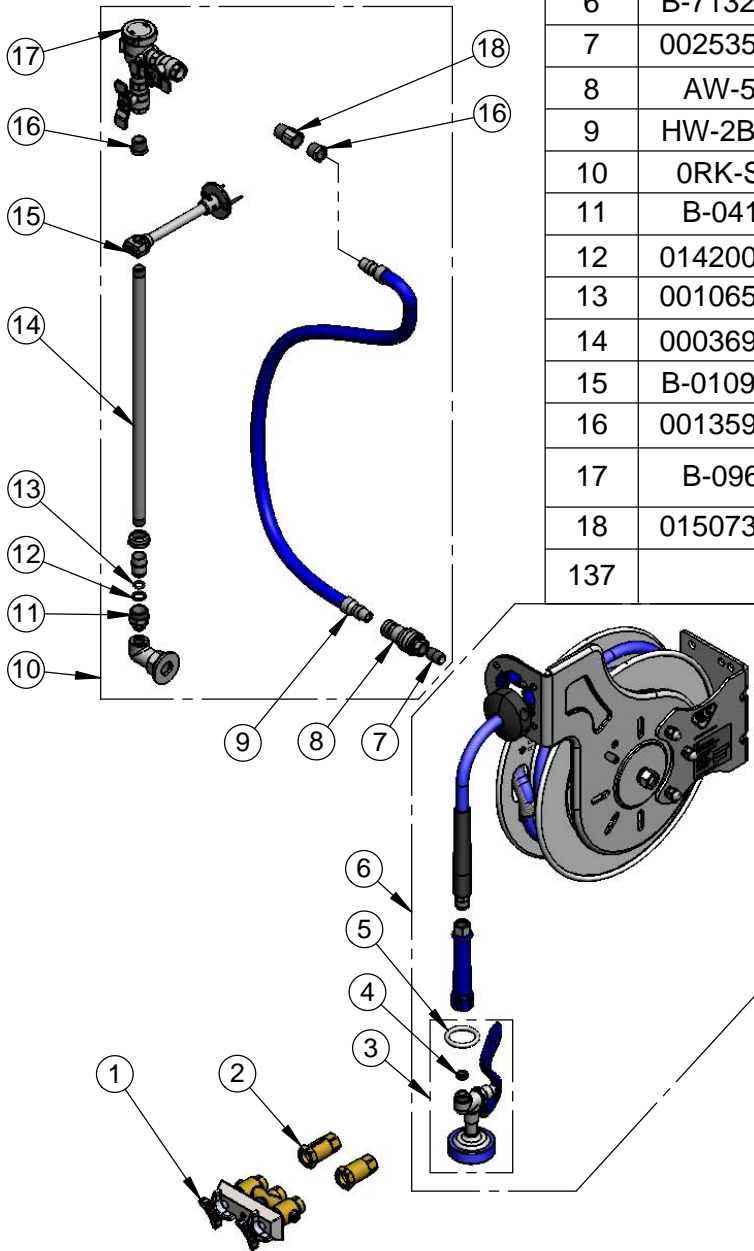


T&S BRASS AND BRONZE WORKS, INC.
 2 Saddleback Cove / P.O. Box 1088
 Travelers Rest, SC 29690

Model No.
B-1459-7132-01
 Item No.

Travelers Rest, SC: 800-476-4103 • Simi Valley, CA: 800-423-0150 • Fax: 864-834-3518 • www.tsbrass.com

ITEM NO.	SALES NO.	DESCRIPTION
1	B-0512	3" Wall Mount Mixing Faucet
2	B-CVH1-2	1/2" Check Valve
3	EB-0107	High Flow Spray Valve (Blue)
4	010476-45	#27 Washer
5	000907-45	Spray Valve Hold Down Ring
6	B-7132-01	Open Stainless Steel Hose Reel w/ 35' of 3/8" Hose
7	002535-25	3/8" Close Nipple
8	AW-5B	3/8" NPT Quick Disconnect
9	HW-2B-36	3/8" NPT x 36" Flexible Water Hose
10	ORK-SK	Hose Reel Connector Kit
11	B-0412	Rigid to Swivel Adapter
12	014200-45	Star Washer, Anti-Rotation
13	001065-45	O-Ring
14	000369-40	3/8" NPT x 18" Riser
15	B-0109-01	6" Wall Bracket
16	001359-40	1/2" NPT Male x 3/8" NPT Female Hex Bushing
17	B-0963	1/2" NPT Continuous Pressure Vacuum Breaker w/ Integral Check Valve
18	015073-40	Check Valve w/ 1/2" NPT Adapter
137		O-ring



Product Specifications:
 Open Stainless Steel Hose Reel w/ 35' of 3/8" Hose, High Flow Spray Valve, Vacuum Breaker, 3/8" NPT Flexible Water Hose, 3" Concealed Mixing Valve & Check Valves

Product Compliance:
 NSF 61 Exempt (Non-Potable)
 EPA Act 2005 Non-Compliant (PRSV)
 ASSE 1056 (VB)