



T&S BRASS AND BRONZE WORKS, INC.
 2 Saddleback Cove / P.O. Box 1088
 Travelers Rest, SC 29690

Model No.
B-1457-7102-01C

Item No.

Travelers Rest, SC: 800-476-4103 • Simi Valley, CA: 800-423-0150 • Fax: 864-834-3518 • www.tsbrass.com

This Space for Architect/Engineer Approval

Job Name _____ Date _____

Model Specified _____ Quantity _____

Customer/Wholesaler _____

Contractor _____

Architect/Engineer _____

B-0963
 Continuous Pressure
 Vacuum Breaker w/
 Integral Check Valve

3/8" NPT x 36"
 Flexible Water
 Hose

3/8" NPT x
 40" Riser

Stainless Steel
 Quick Disconnect

Control Valve

3/8" NPT x
 16" Riser

(2) B-0109-07
 Wall Brackets

EasyInstall
 Lock Nut &
 Bushing

2 5/16"
 [58mm]

7 7/16"
 [189mm]

Quarter-Turn Eterna Cartridges
 w/ Spring Checks & Lever Handles
 w/ Color Coded Indexes

18" Flexible
 Stainless Steel
 Supply Hoses

Compression Fittings
 for 5/8" O.D. Copper Tubing
 (Remove Compression Nut
 for 1/2" NPSM Male)

Ø 1/2"
 [13mm]

5 1/4"
 [133mm]

3 1/8"
 [79mm]

Mounting Hoses
 Details

Open Stainless Steel
 Hose Reel w/ 12" of
 3/8" Hose

B-0107-C
 0.65 GPM
 Low Flow
 Spray Valve

66 3/16"
 [1681mm]

20 5/8"
 [523mm]

1 3/8"
 [35mm]
 Maximum
 Thickness

Ø 2 1/4"
 [57mm]
 Deck Flange

Rough-In Requirement:
 Ø 1 1/2" [38mm] Mounting Hole

Product Specifications:

Open Stainless Steel Hose Reel w/ 12' of 3/8" Hose, Single Hole Dual Temperature Deck Mount Faucet w/ Spring Checks, 0.65 GPM Low Flow Spray Valve, Vacuum Breaker, 3/8" NPT Flexible Water Hose, Wall Brackets & Control Valve

Product Compliance:

NSF 61 Exempt (Non-Potable)
 EPA Act 2005 (PRSV)
 EPA WaterSense (PRSV)
 ASSE 1056 (VB)

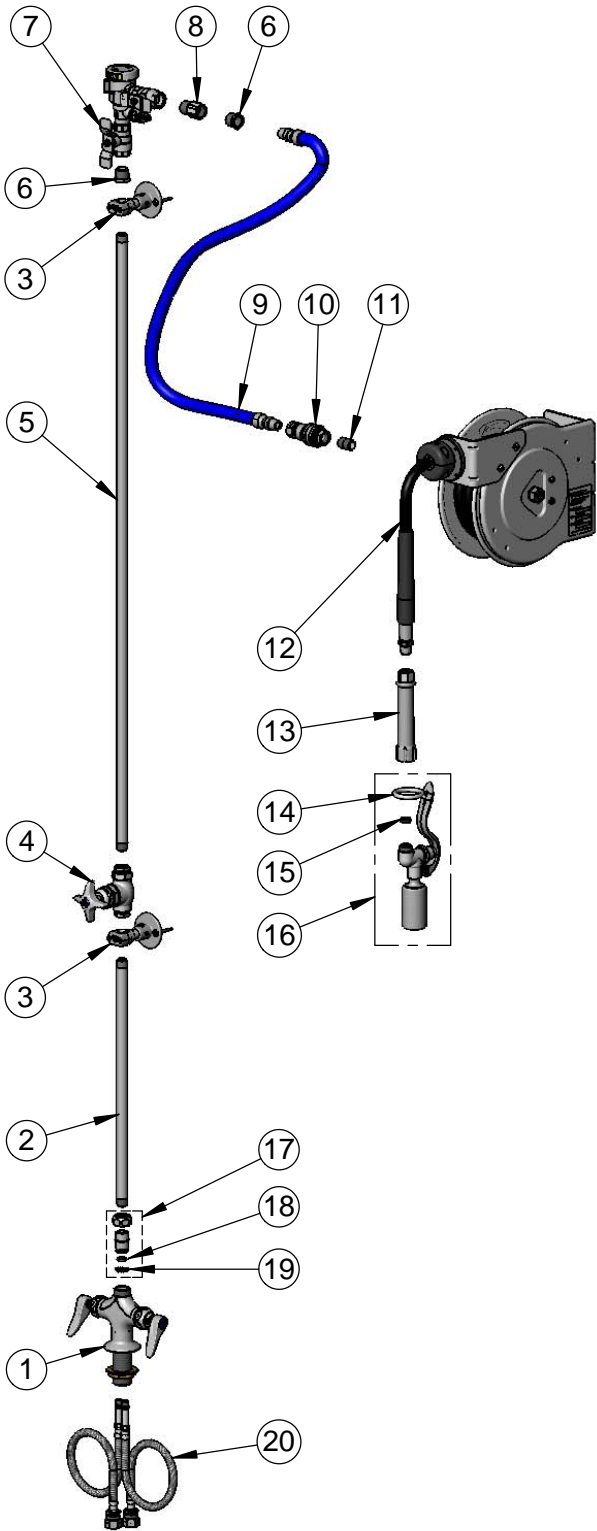


T&S BRASS AND BRONZE WORKS, INC.
 2 Saddleback Cove / P.O. Box 1088
 Travelers Rest, SC 29690

Model No.
B-1457-7102-01C

Item No.

Travelers Rest, SC: 800-476-4103 • Simi Valley, CA: 800-423-0150 • Fax: 864-834-3518 • www.tsbrass.com



ITEM NO.	SALES NO.	DESCRIPTION
1	002824-40	Single Hole Dual Temp Mixing Faucet w/ Supply Hoses
2	000368-40	3/8" NPT x 16" Riser
3	B-0109-07	Wall Bracket
4	0RK3	Control Valve
5	002558-40	3/8" NPT x 40" Riser
6	001359-40	1/2" NPT Male x 3/8" NPT Female Hex Bushing
7	B-0963	1/2" NPT Continuous Pressure VB w/ Integral Check Valve
8	015073-40	Check Valve 1/2" NPT Adapter
9	HW-2B-36	3/8" NPT x 36" Flexible Water Hose
10	AW-5B	3/8" NPT Quick Disconnect
11	002535-25	3/8" Close Nipple
12	B-7102	Open Stainless Steel Hose Reel w/ 12' x 3/8" Hose
13	002881-40	Grip Handle
14	000907-45	Spray Valve Hold Down Ring
15	010476-45	#27 Washer
16	B-0107-C	0.65 GPM Low Flow Spray Valve
17	EZ-K	EasyInstall Kit
18	001065-45	O-Ring
19	014200-45	Star Washer, Anti-Rotation
20	012534-45	18" Flexible Supply Hose (2)

Product Specifications:

Open Stainless Steel Hose Reel w/ 12' of 3/8" Hose, Single Hole Dual Temperature Deck Mount Faucet w/ Spring Checks, 0.65 GPM Low Flow Spray Valve, Vacuum Breaker, 3/8" NPT Flexible Water Hose, Wall Brackets & Control Valve

Product Compliance:

NSF 61 Exempt (Non-Potable)
 EPA Act 2005 (PRSV)
 EPA WaterSense (PRSV)
 ASSE 1056 (VB)