



T&S BRASS AND BRONZE WORKS, INC.

2 Saddleback Cove / P.O. Box 1088
Travelers Rest, SC 29690

Model No.

B-1453

Item No.

Travelers Rest, SC: 800-476-4103 • Simi Valley, CA: 800-423-0150 • Fax: 864-834-3518 • www.tsbrass.com

This Space for Architect/Engineer Approval

Job Name _____ Date _____

Model Specified _____ Quantity _____

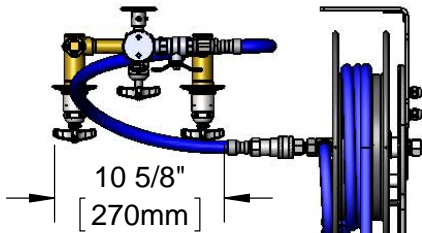
Customer/Wholesaler _____

Contractor _____

Architect/Engineer _____

B-0963

Continuous Pressure
Vacuum Breaker
w/ Integral
Check Valve



3/8" NPT x 36"
Flexible Water
Connector

3/8" NPT x 40"
Riser

Stainless Steel
Quick Disconnect

Control Valve

(2) B-0109-07
Wall Brackets

3/8" NPT x 16"
Riser

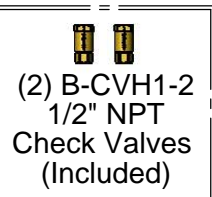
8"
[203mm]

Rough-In Requirement:
(2) ϕ 1 1/2" [38mm] Mounting Holes

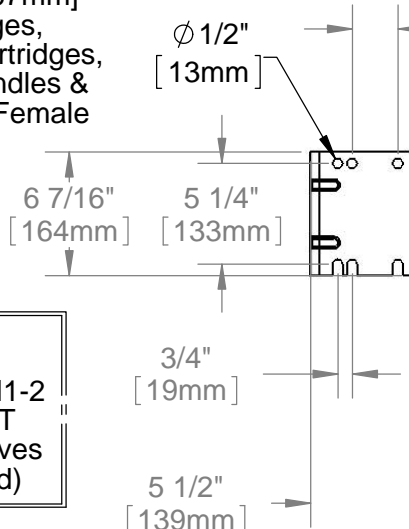
Open Coated Hose Reel
w/ 35' of 3/8" Hose

Front Trigger
Water Gun

8" Concealed
Mixing Valve w/
 ϕ 2 5/8" [67mm]
Wall Flanges,
Eterna Cartridges,
4-Arm Handles &
1/2" NPT Female
Inlets



(2) B-CVH1-2
1/2" NPT
Check Valves
(Included)



2 3/8"
[60mm]

2 1/2"
[63mm]
Minimum

2 7/16"
[61mm]

63 13/16"
[1620mm]

18 3/16"
[462mm]

3 1/2"
[89mm]
Maximum

Product Specifications:

Open Coated Hose Reel w/ 35' of 3/8" Hose, Blue Front Trigger Water Gun, Vacuum Breaker, 3/8" NPT Flexible Water Connector, 8" Concealed Wall Mount Mixing Faucet, Control Valve & (2) Check Valves

Product Compliance:

NSF 61 Exempt (Non-Potable)
EPA Act 2005 Non-Compliant (PRSV)
ASSE 1056 (VB)

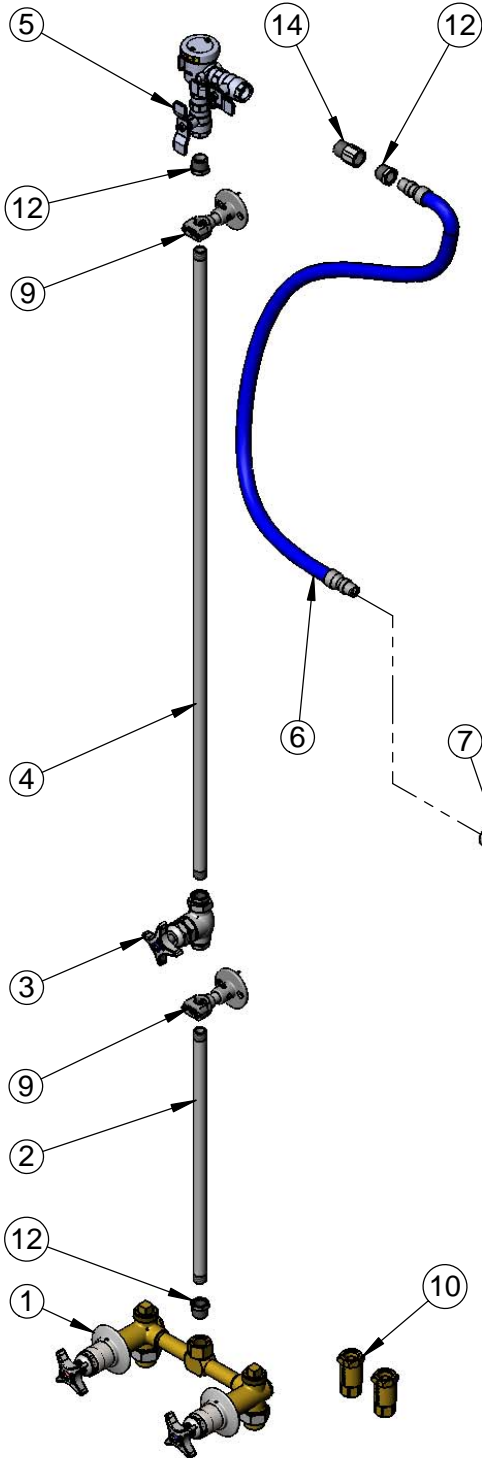


T&S BRASS AND BRONZE WORKS, INC.
 2 Saddleback Cove / P.O. Box 1088
 Travelers Rest, SC 29690

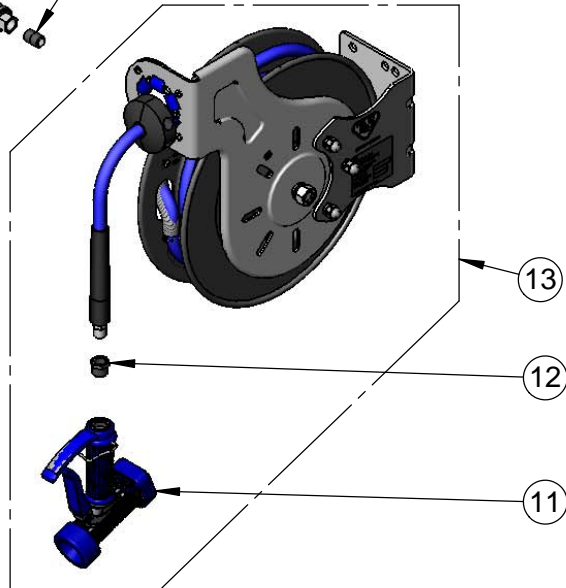
Model No.
B-1453

Item No.

Travelers Rest, SC: 800-476-4103 • Simi Valley, CA: 800-423-0150 • Fax: 864-834-3518 • www.tsbrass.com



ITEM NO.	SALES NO.	DESCRIPTION
1	B-1035	8" Concealed Wall Mount Mixing Valve
2	000368-40	3/8" NPT x 16" Riser
3	0RK3	Control Valve
4	002558-40	3/8" NPT x 40" Riser
5	B-0963	1/2" NPT Continuous Pressure VB w/ Integral Check Valve
6	HW-2B-36	3/8" NPT x 36" Flexible Water Hose
7	AW-5B	3/8" NPT Quick Disconnect
8	002535-25	3/8" NPT Close Nipple
9	B-0109-07	Wall Bracket
10	B-CVH1-2	1/2" Check Valve
11	MV-2522-24	Stainless Steel Water Gun, Front Trigger
12	001359-40	1/2" NPT Male x 3/8" NPT Female Hex Bushing
13	B-7232-05	3/8" x 35 FT Reel w/ Front Trigger Water Gun
14	015073-40	Check Valve w/ 1/2" NPT Adapter



Product Specifications:

Open Coated Hose Reel w/ 35' of 3/8" Hose, Blue Front Trigger Water Gun, Vacuum Breaker, 3/8" NPT Flexible Water Connector, 8" Concealed Wall Mount Mixing Faucet, Control Valve & (2) Check Valves

Product Compliance:

NSF 61 Exempt (Non-Potable)
 EPA Act 2005 Non-Compliant (PRSV)
 ASSE 1056 (VB)