



T&S BRASS AND BRONZE WORKS, INC.

2 Saddleback Cove / P.O. Box 1088
Travelers Rest, SC 29690

Model No.

B-1439-CR-SSB

Item No.

Travelers Rest, SC: 800-476-4103 • Simi Valley, CA: 800-423-0150 • Fax: 864-834-3518 • www.tsbrass.com

This Space for Architect/Engineer Approval

Job Name _____ Date _____

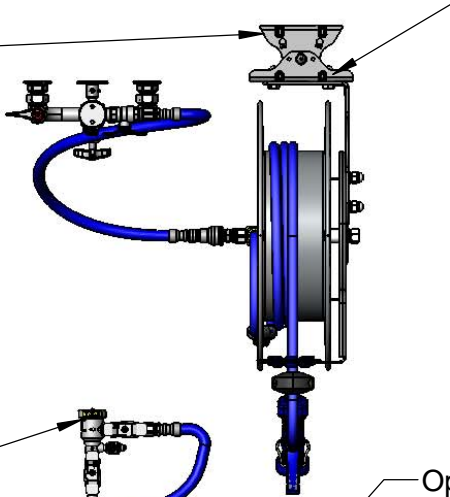
Model Specified _____ Quantity _____

Customer/Wholesaler _____

Contractor _____

Architect/Engineer _____

EasyInstall
Stainless Steel
Wall Mount
Swing Bracket
w/ 100° of
Rotation



Mounting Hardware Included
for Hose Reel to Bracket

B-0963
Continuous Pressure
Vacuum Breaker
w/ Integral
Check Valve

3/8" NPT x 36"
Flexible Water
Connector

3/8" NPT x
40" Riser

Stainless Steel
Quick Disconnect

Control Valve
(2) B-0109-07
Wall Brackets

EasyInstall
3/8" NPT x
16" Riser

8" Wall Mount
Mixing Faucet,
Quarter-Turn
Cerama Cartridges
w/ Check Valves
& Lever Handles
w/ Color Coded
Indexes

Ø2" [51mm]
Flanges w/
1/2" NPT
Female Inlets

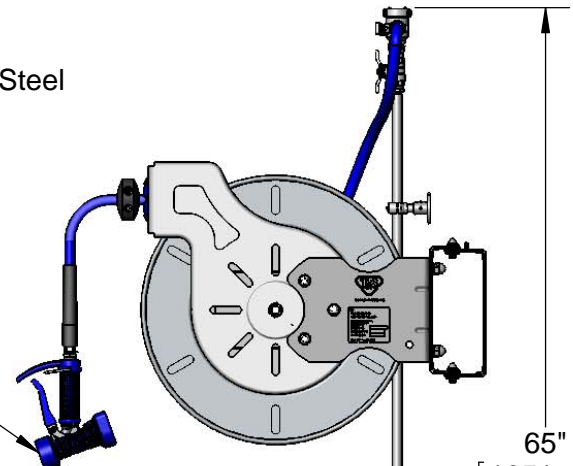
3 11/16"
[93mm]

12 5/8"
[321mm]

8"
[203mm]
Adjustable From
7 3/4" to 8 1/4"
[197mm to 210mm]

Open Stainless Steel
Hose Reel w/
50' of 3/8" Hose

MV-2522-24
Front Trigger
Water Gun



65"
[1651mm]

Ø1/2"
[13mm]

17 7/8"
[454mm]

5 9/16"
[142mm]

3 9/16"
[90mm]

2 3/8"
[61mm]

EasyInstall
Wall Mount
Swing Bracket
Mounting Holes

Product Specifications:

Open Stainless Steel Hose Reel w/ 50' of 3/8" Hose, Blue Front Trigger Water Gun, Vacuum Breaker, 3/8" NPT Flexible Water Connector, 8" Wall Mount Mixing Faucet w/ Quarter-Turn Cerama Cartridges & Lever Handles, Control Valve, 100 Degree EasyInstall Stainless Steel Swing Bracket w/ Mounting Hardware for Hose Reel to Bracket

Product Compliance:

NSF 61 Exempt (Non-Potable)
EPA Act 2005 Non-Compliant (PRSV)
ASSE 1056 (VB)



T&S BRASS AND BRONZE WORKS, INC.

2 Saddleback Cove / P.O. Box 1088
Travelers Rest, SC 29690

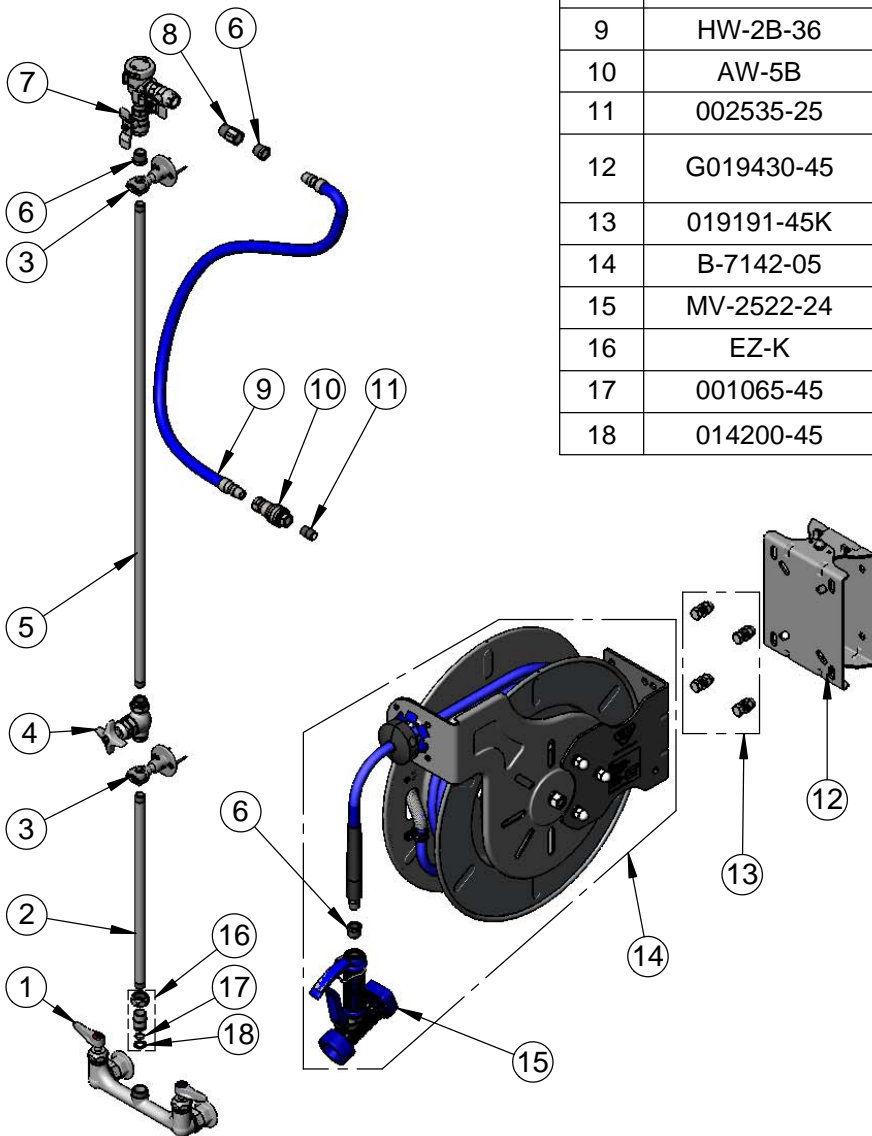
Model No.

B-1439-CR-SSB

Item No.

Travelers Rest, SC: 800-476-4103 • Simi Valley, CA: 800-423-0150 • Fax: 864-834-3518 • www.tsbrass.com

ITEM NO.	SALES NO.	DESCRIPTION
1	B-0131-LN-CR-SC	8" Wall Mount Base Faucet w/ Quarter-Turn Cerama Cartridges w/ Check Valves
2	000368-40	3/8" NPT x 16" Riser
3	B-0109-07	Wall Bracket
4	0RK3	Control Valve
5	002558-40	3/8" NPT x 40" Riser
6	001359-40	Hex Bushing, 1/2" NPT Male x 3/8" NPT Female
7	B-0963	1/2" NPT Continuouse Pressure VB w/ Check Valve
8	015073-40	1/2" NPT Check Valve Adapter
9	HW-2B-36	3/8" NPT x 36" Flexible Water Hose
10	AW-5B	3/8" NPT Quick Disconnect
11	002535-25	3/8" Close Nipple
12	G019430-45	EasyInstall Hose Reel Stainless Steel Swing Bracket
13	019191-45K	Hose Reel Mounting Kit
14	B-7142-05	Open Stainless Steel Reel w/ 50' of 3/8" Hose
15	MV-2522-24	Stainless Water Gun, Front Trigger
16	EZ-K	EasyInstall Kit
17	001065-45	O-Ring
18	014200-45	Star Washer, Anti-Rotation



Product Specifications:

Open Stainless Steel Hose Reel w/ 50' of 3/8" Hose, Blue Front Trigger Water Gun, Vacuum Breaker, 3/8" NPT Flexible Water Connector, 8" Wall Mount Mixing Faucet w/ Quarter-Turn Cerama Cartridges & Lever Handles, Control Valve, 100 Degree EasyInstall Stainless Steel Swing Bracket w/ Mounting Hardware for Hose Reel to Bracket

Product Compliance:

NSF 61 Exempt (Non-Potable)
EPA Act 2005 Non-Compliant (PRSV)
ASSE 1056 (VB)