



T&S BRASS AND BRONZE WORKS, INC.

2 Saddleback Cove / P.O. Box 1088
Travelers Rest, SC 29690

Model No.

B-1439-BF12-C12

Item No.

Travelers Rest, SC: 800-476-4103 • Simi Valley, CA: 800-423-0150 • Fax: 864-834-3518 • www.tsbrass.com

This Space for Architect/Engineer Approval

Job Name _____ Date _____

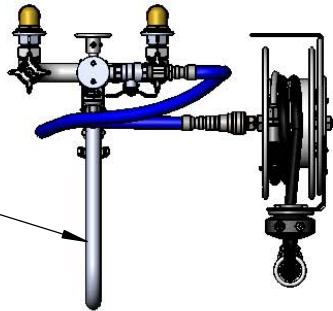
Model Specified _____ Quantity _____

Customer/Wholesaler _____

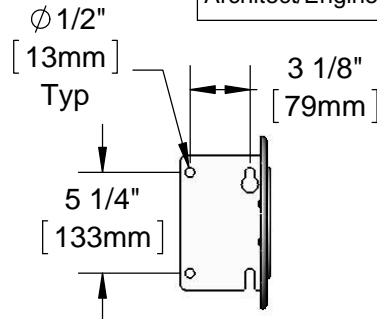
Contractor _____

Architect/Engineer _____

114X
12" Big-Flo Swing
Nozzle w/ Plain
End Outlet



B-0963
Continuous Pressure
Vacuum Breaker w/
Integral Check Valve



Mounting Holes
Details

3/8" NPT x 36"
Flexible Water
Connector

3/8" NPT x 40" Riser

Stainless Steel
Quick Disconnect

Open Stainless Steel
Hose Reel w/ 12' of
3/8" Hose

B-0107-C
0.65 GPM
Low Flow
Spray Valve



(2) B-0109-07
Wall Brackets

Control Valve

3/8" NPT x 8" Riser

Item Not Shown
for Clarity

Big-Flo Cartridges
& 4-Arm Handles
w/ Color Coded
Indexes

10 5/8"
[270mm]

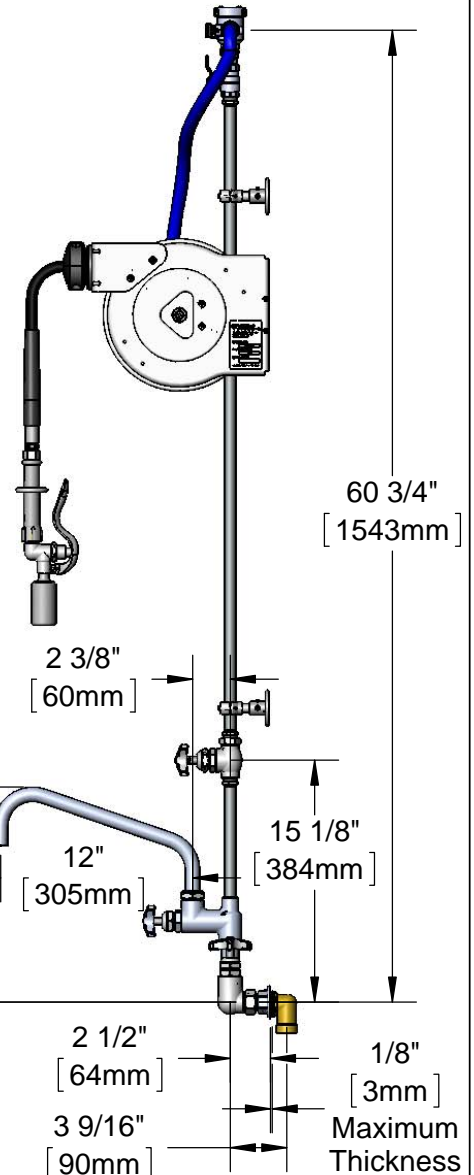
Faucet Body w/
Integral Check
Valves

8"
[203mm]

Ø 2" [51mm]
Flanges

3/4" NPT
Female Inlets

Adjustable From
7 3/4" to 8 1/4"
[197mm to 210mm]



Product Specifications:

Open Stainless Steel Hose Reel w/ 12' of 3/8" Hose, Big-Flo Faucet w/ Integral Check Valves, Big-Flo Add-On Faucet, 12" Big-Flo Swing Nozzle w/ Plain End Outlet, 0.65 GPM Low Flow Spray Valve, Vacuum Breaker, 3/8" NPT Flexible Water Connector & Control Valve

Product Compliance:

NSF 61 Exempt (Non-Potable)
EPA WaterSense (PRSV)
ASSE 1056 (VB)



T&S BRASS AND BRONZE WORKS, INC.

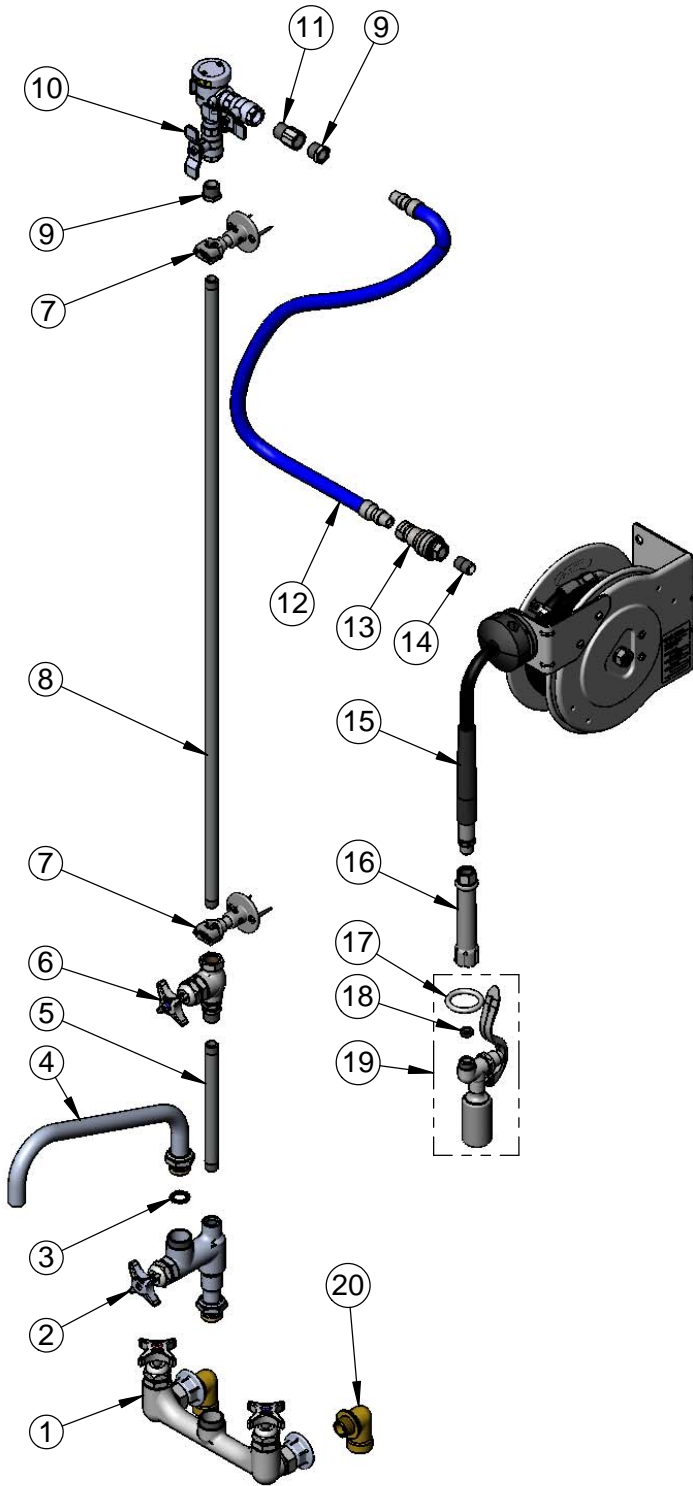
2 Saddleback Cove / P.O. Box 1088
Travelers Rest, SC 29690

Model No.

B-1439-BF12-C12

Item No.

Travelers Rest, SC: 800-476-4103 • Simi Valley, CA: 800-423-0150 • Fax: 864-834-3518 • www.tsbrass.com



ITEM NO.	SALES NO.	DESCRIPTION
1	002840-40CV	Big-Flo Faucet w/ Integral Check Valves
2	B-0286-LNEZ	Big-Flo EasyInstall Add-On Faucet
3	016807-45	Serrated Lock Washer
4	114X	12" Big-Flo Swing Nozzle
5	078X	3/8" NPT x 8" Riser
6	0RK3	Control Valve
7	B-0109-07	2 3/8" Wall Bracket
8	002558-40	3/8" NPT x 40" Riser
9	001359-40	1/2" NPT Male x 3/8" NPT Female Hex Bushing
10	B-0963	1/2" NPT Continuous Pressure VB w/ Integral Check Valve
11	015073-40	Check Valve w/ 1/2" NPT Adapter
12	HW-2B-36	3/8" NPT x 36" Flexible Water Hose
13	AW-5B	3/8" NPT Quick Disconnect
14	002535-25	3/8" Close Nipple
15	B-7102	Open Stainless Steel Reel w/ 12" of 3/8" Hose
16	002881-40	Grip Handle
17	000907-45	Spray Valve Hold Down Ring
18	010476-45	#27 Washer
19	B-0107-C	0.65 GPM Low Flow Spray Valve
20	00LL	3/4" Short Elbow Inlet

Product Specifications:

Open Stainless Steel Hose Reel w/ 12' of 3/8" Hose, Big-Flo Faucet w/ Integral Check Valves, Big-Flo Add-On Faucet, 12" Big-Flo Swing Nozzle w/ Plain End Outlet, 0.65 GPM Low Flow Spray Valve, Vacuum Breaker, 3/8" NPT Flexible Water Connector & Control Valve

Product Compliance:

NSF 61 Exempt (Non-Potable)
EPA WaterSense (PRSV)
ASSE 1056 (VB)