



T&S BRASS AND BRONZE WORKS, INC.
 2 Saddleback Cove / P.O. Box 1088
 Travelers Rest, SC 29690

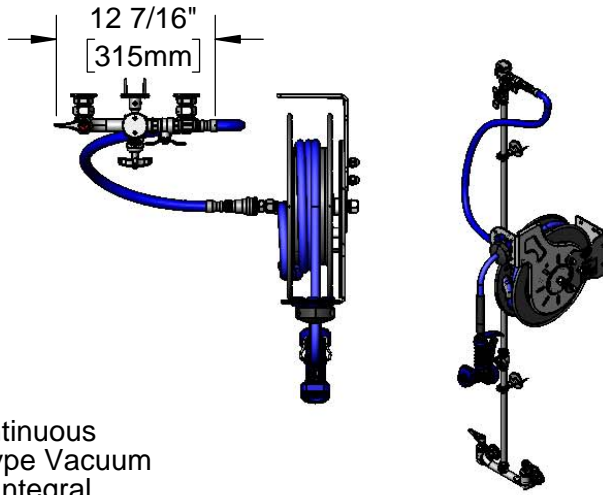
Model No.
B-1437

Item No.

Travelers Rest, SC: 800-476-4103 • Simi Valley, CA: 800-423-0150 • Fax: 864-834-3518 • www.tsbrass.com

This Space for Architect/Engineer Approval

Job Name _____ Date _____
 Model Specified _____ Quantity _____
 Customer/Wholesaler _____
 Contractor _____
 Architect/Engineer _____



B-0963 Continuous Pressure Type Vacuum Breaker w/ Integral Check Valve

3/8" NPT x 36" Flexible Water Connector

B-7232-05 Open Hose Reel w/ 35 Ft. Hose

3/8" NPT x 40" Riser
 ORK3 Control Valve

MV-2522-24 Front Trigger Water Gun

B-0109-07 Bracket (2)

EasyInstall 3/8" NPT x 16" Riser

8" Wall Mount Mixing Faucet, Quarter-Turn Eterna Cartridges w/ Spring Checks & Lever Handles w/ Color Coded Indexes

3 11/16" [94mm]

12 5/8" [321mm]

Ø 2" [51mm] Flanges w/ 1/2" NPT Female Inlets

8" [203mm] Adjustable From 7 3/4" to 8 1/4" [197mm to 210mm]

Ø 1/2" [13mm] Typ

5 1/2" [139mm]

2 3/8" [60mm]

6 7/16" [164mm]

5 1/4" [133mm]

3/4" [19mm]

1/2" [13mm] Typ

65" [1651mm]

17 7/8" [454mm]

2 3/8" [61mm]

Product Specifications:

Open Coated Hose Reel w/ 35 Ft Hose, Blue Front Trigger Water Gun, Vacuum Breaker, 3/8" NPT Flexible Water Connector, 8" Wall Mount Faucet, & Control Valve

Product Compliance:

NSF 61 Exempt (Non-Potable)
 EPA Act 2005 Non-Compliant (PRSV)
 ASSE 1056 (VB)

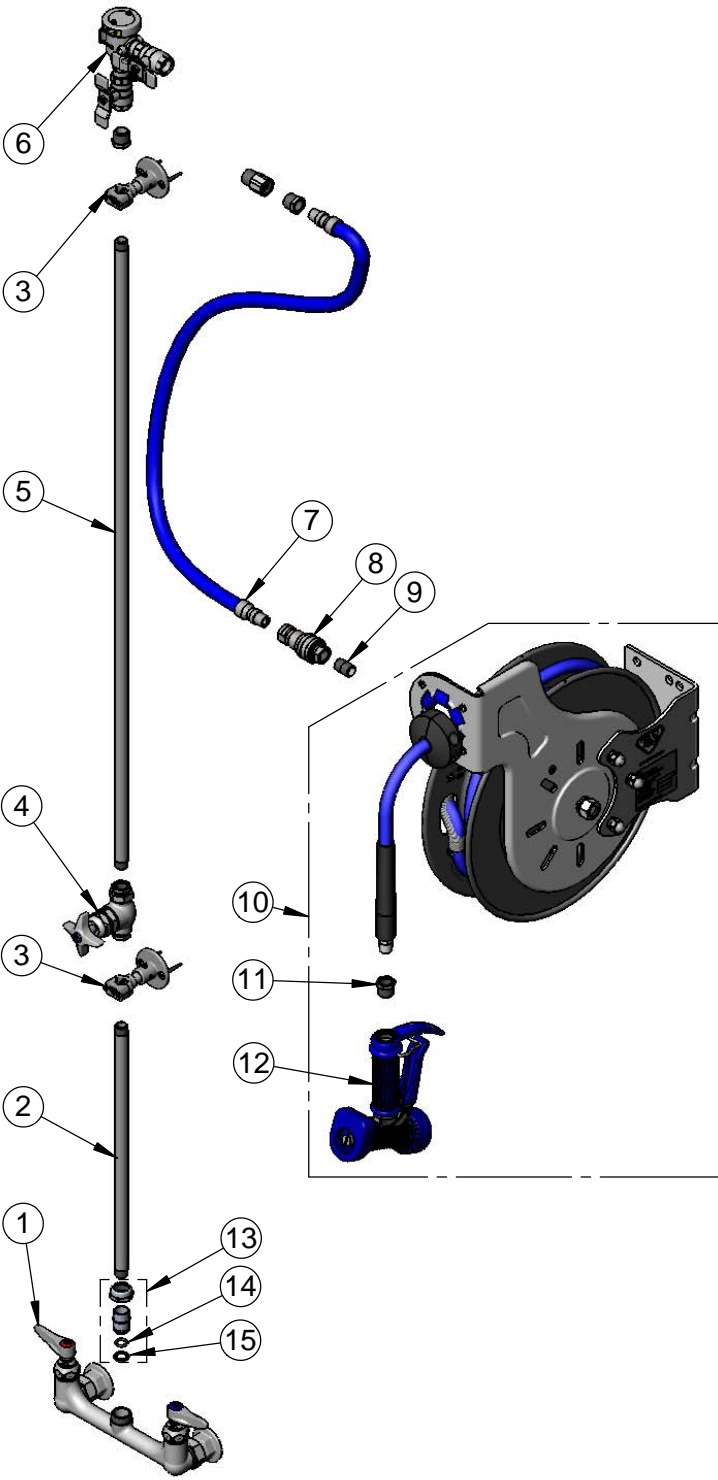


T&S BRASS AND BRONZE WORKS, INC.
 2 Saddleback Cove / P.O. Box 1088
 Travelers Rest, SC 29690

Model No.
B-1437

Item No.

Travelers Rest, SC: 800-476-4103 • Simi Valley, CA: 800-423-0150 • Fax: 864-834-3518 • www.tsbrass.com



ITEM NO.	SALES NO.	DESCRIPTION
1	002832-40	8" Wall Mount Mixing Faucet
2	000368-40	Riser, 3/8" NPT x 16"
3	B-0109-07	Wall Bracket
4	0RK3	Valve Control
5	002558-40	3/8" NPT x 40" Riser
6	B-0963	Continuous Pressure VB w/ Integral Check Valve
7	HW-2B-36	3/8" NPT x 36" Flexible Water Hose
8	AW-5B	QD Water Socket/Plug 3/8" Stainless Steel
9	002535-25	3/8" Close Nipple
10	B-7232-05	3/8" x 35' Reel w/ Blue Front Trigger Water Gun
11	001359-40	Hex Bushing, 1/2" NPT Male x 3/8" NPT Female
12	MV-2522-24	SS Water Gun, Front Trigger
13	EZ-K	EasyInstall Kit
14	001065-45	O-Ring
15	014200-45	Lock Washer

Product Specifications:
 Open Coated Hose Reel w/ 35 Ft Hose, Blue Front Trigger Water Gun, Vacuum Breaker, 3/8" NPT Flexible Water Connector, 8" Wall Mount Faucet, & Control Valve

Product Compliance:
 NSF 61 Exempt (Non-Potable)
 EPA Act 2005 Non-Compliant (PRSV)
 ASSE 1056 (VB)