



# T&S BRASS AND BRONZE WORKS, INC.

2 Saddleback Cove / P.O. Box 1088  
Travelers Rest, SC 29690

Model No.

**B-1433-SC01**

Item No.

Travelers Rest, SC: 800-476-4103 • Simi Valley, CA: 800-423-0150 • Fax: 864-834-3518 • www.tsbrass.com

This Space for Architect/Engineer Approval

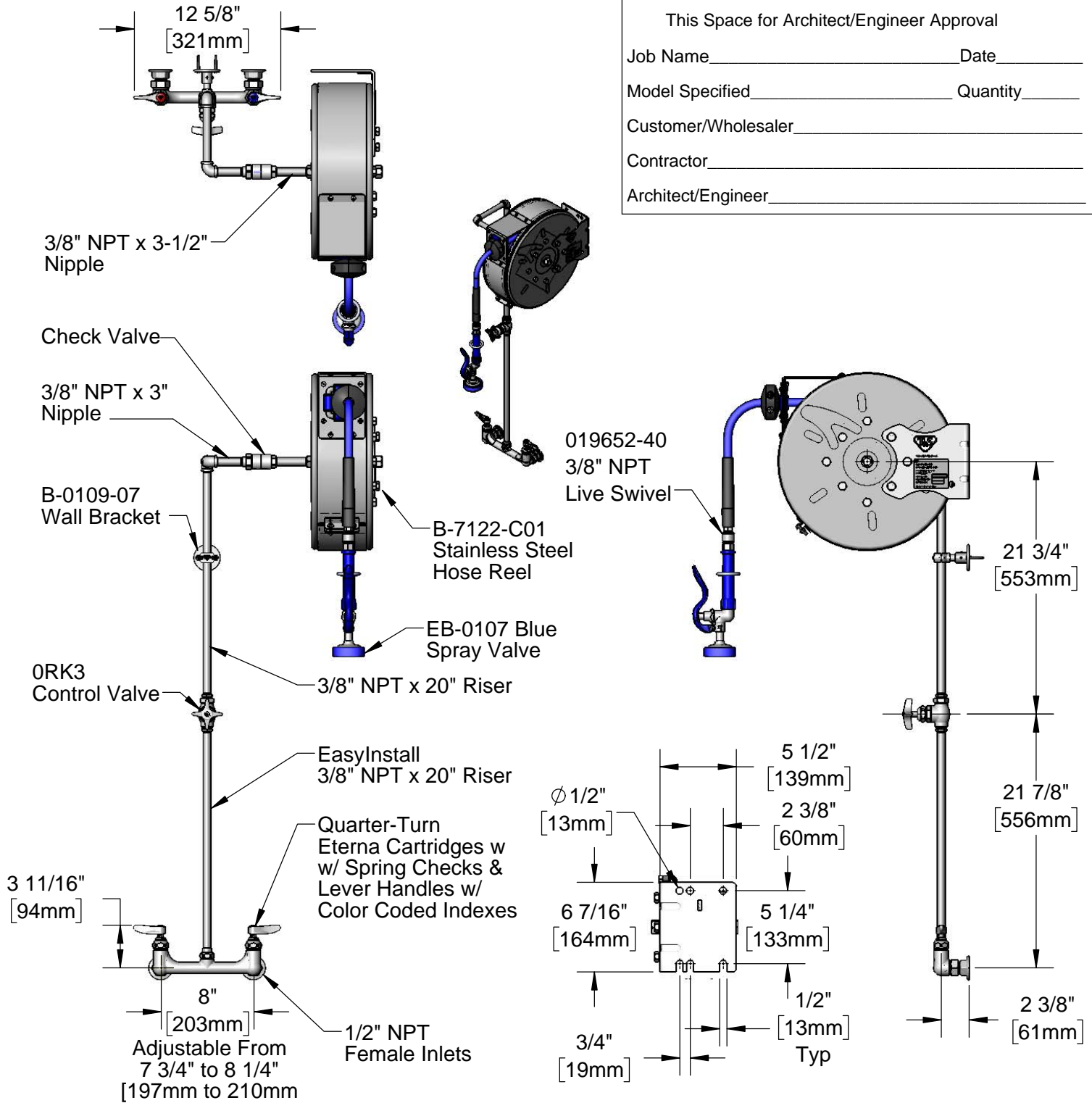
Job Name \_\_\_\_\_ Date \_\_\_\_\_

Model Specified \_\_\_\_\_ Quantity \_\_\_\_\_

Customer/Wholesaler \_\_\_\_\_

Contractor \_\_\_\_\_

Architect/Engineer \_\_\_\_\_



**Product Specifications:**  
8" Wall Mount Mixing Faucet, Enclosed Stainless Steel Hose Reel w/ 30 Ft Hose, Blue Spray Valve w/ Swivel, Hard Pipe Supply Manifold, Check Valve & Control Valve In Riser

**Product Compliance:**  
NSF 61 Exempt (Non-Potable)  
ASSE 1024 (VB)  
EPA Act 2005 Non-Compliant (PRSV)



# T&S BRASS AND BRONZE WORKS, INC.

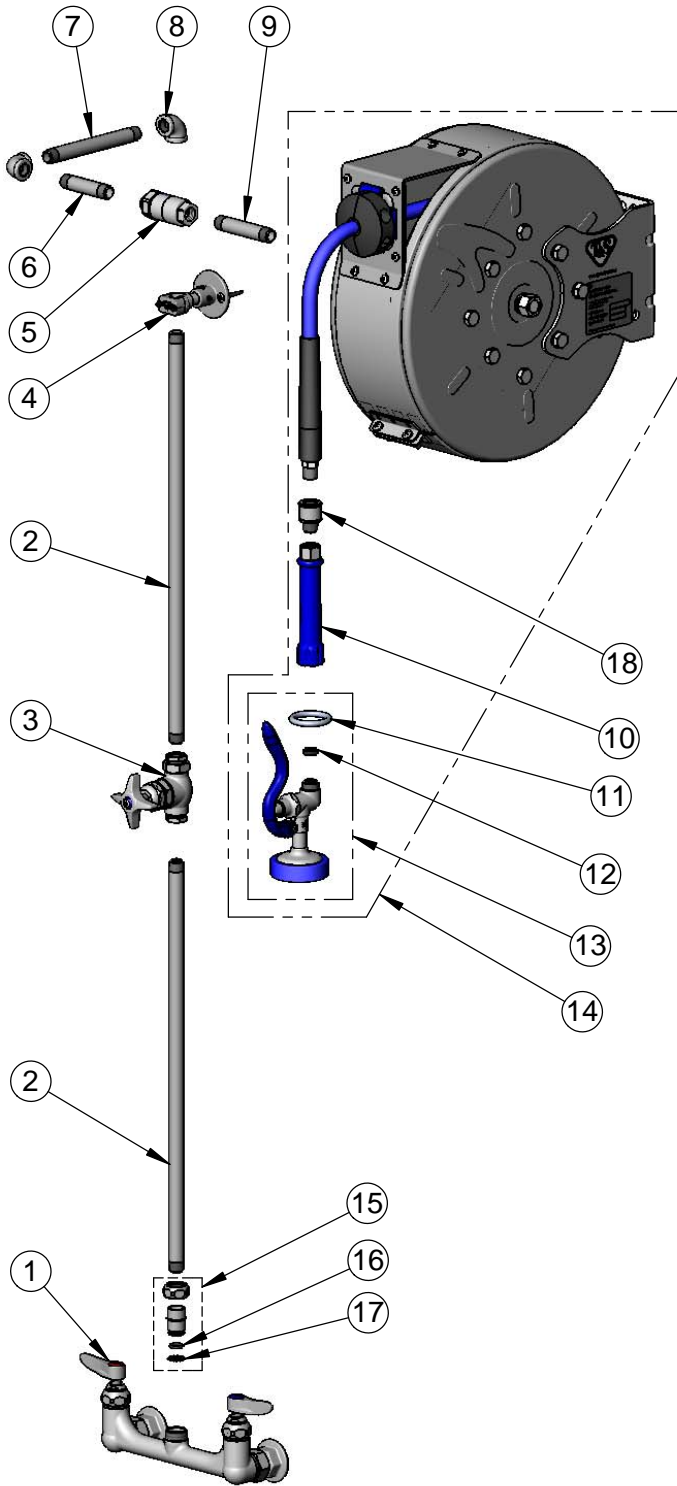
2 Saddleback Cove / P.O. Box 1088  
Travelers Rest, SC 29690

Model No.

**B-1433-SC01**

Item No.

Travelers Rest, SC: 800-476-4103 • Simi Valley, CA: 800-423-0150 • Fax: 864-834-3518 • www.tsbrass.com



ITEM NO.	SALES NO.	DESCRIPTION
1	002832-40	8" Wall Mount Mixing Faucet
2	000370-40	Nipple, 3/8" NPT x 20"
3	0RK3	Control Valve
4	B-0109-07	Wall Bracket
5	B-0975	Dual Check Valve VB
6	000358-40	Nipple, 3/8" NPT x 3"
7	000362-40	Nipple, 3/8" x 6"
8	001355-40	Elbow, 3/8 NPT
9	000359-40	Nipple, 3/8" x 3-1/2"
10	012504-40	Blue Grip Handle
11	000907-45	Spray Valve Hold Down Ring
12	010476-45	#27 Washer
13	EB-0107	High Flow Spray Valve (Blue)
14	B-7122-C01	Enclosed SS Reel w/ 30' of 3/8" Hose
15	EZ-K	EasyInstall Kit
16	001065-45	O-Ring
17	014200-45	Star Washer, Anti-Rotation
18	019652-40	3/8" NPT Live Swivel

**Product Specifications:**

8" Wall Mount Mixing Faucet, Enclosed Stainless Steel Hose Reel w/ 30 Ft Hose, Blue Spray Valve w/ Swivel, Hard Pipe Supply Manifold, Check Valve & Control Valve In Riser

**Product Compliance:**

NSF 61 Exempt (Non-Potable)  
ASSE 1024 (VB)  
EPA Act 2005 Non-Compliant (PRSV)