



**T&S BRASS AND BRONZE WORKS, INC.**  
 2 Saddleback Cove / P.O. Box 1088  
 Travelers Rest, SC 29690

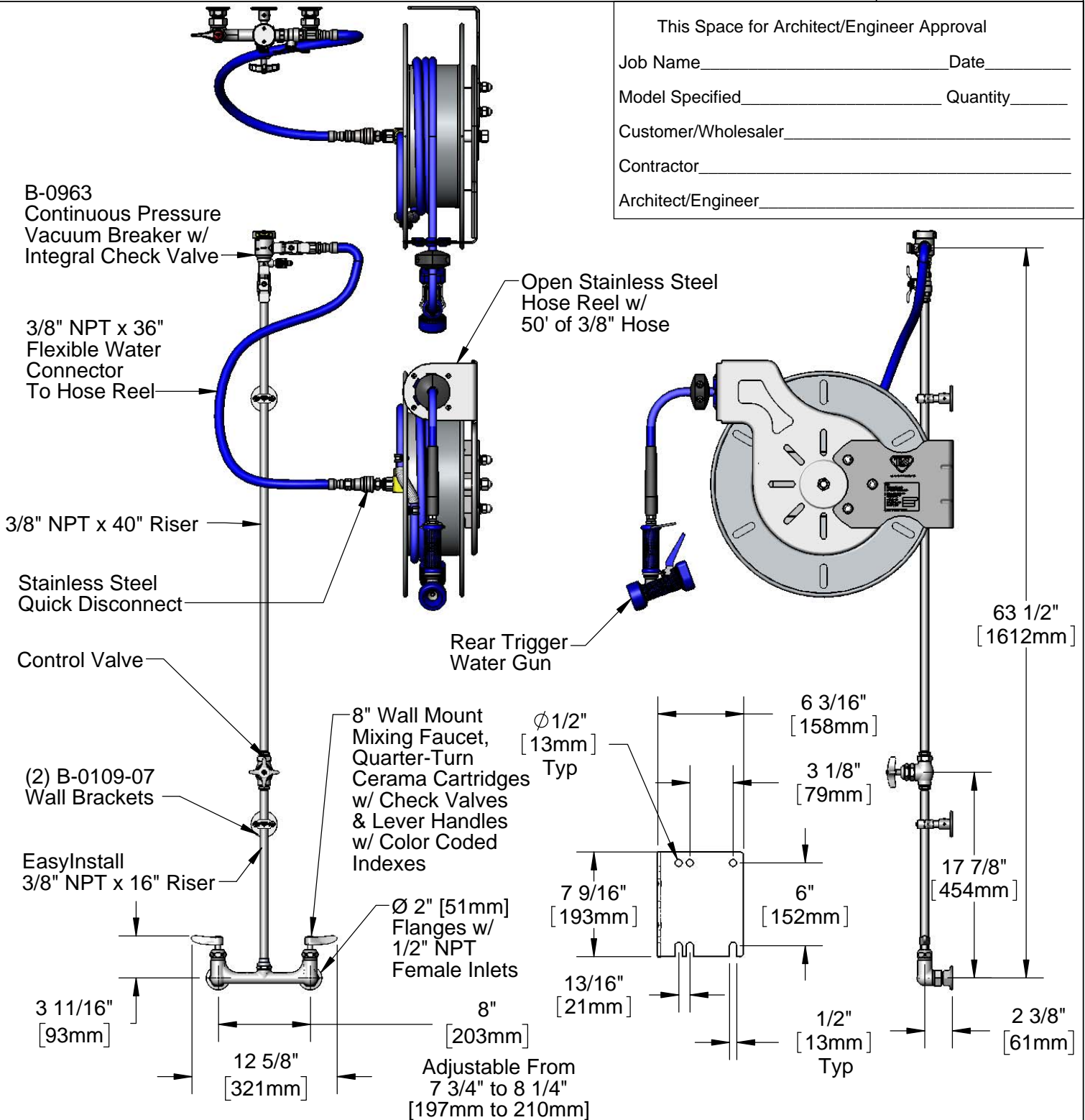
Model No.  
**B-1433-CR-SC**

Item No.

Travelers Rest, SC: 800-476-4103 • Simi Valley, CA: 800-423-0150 • Fax: 864-834-3518 • www.tsbrass.com

This Space for Architect/Engineer Approval

Job Name \_\_\_\_\_ Date \_\_\_\_\_  
 Model Specified \_\_\_\_\_ Quantity \_\_\_\_\_  
 Customer/Wholesaler \_\_\_\_\_  
 Contractor \_\_\_\_\_  
 Architect/Engineer \_\_\_\_\_



**Product Specifications:**  
 Open Stainless Steel Hose Reel w/ 50' of 3/8" Hose, Rear Trigger Water Gun, Vacuum Breaker, 3/8" NPT Flexible Water Connector, 8" Wall Mount Mixing Faucet w/ Quarter-Turn Cerama Cartridges, & Control Valve

**Product Compliance:**  
 NSF 61 Exempt (Non-Potable)  
 EPA Act 2005 Non-Compliant (PRSV)  
 ASSE 1056 (VB)

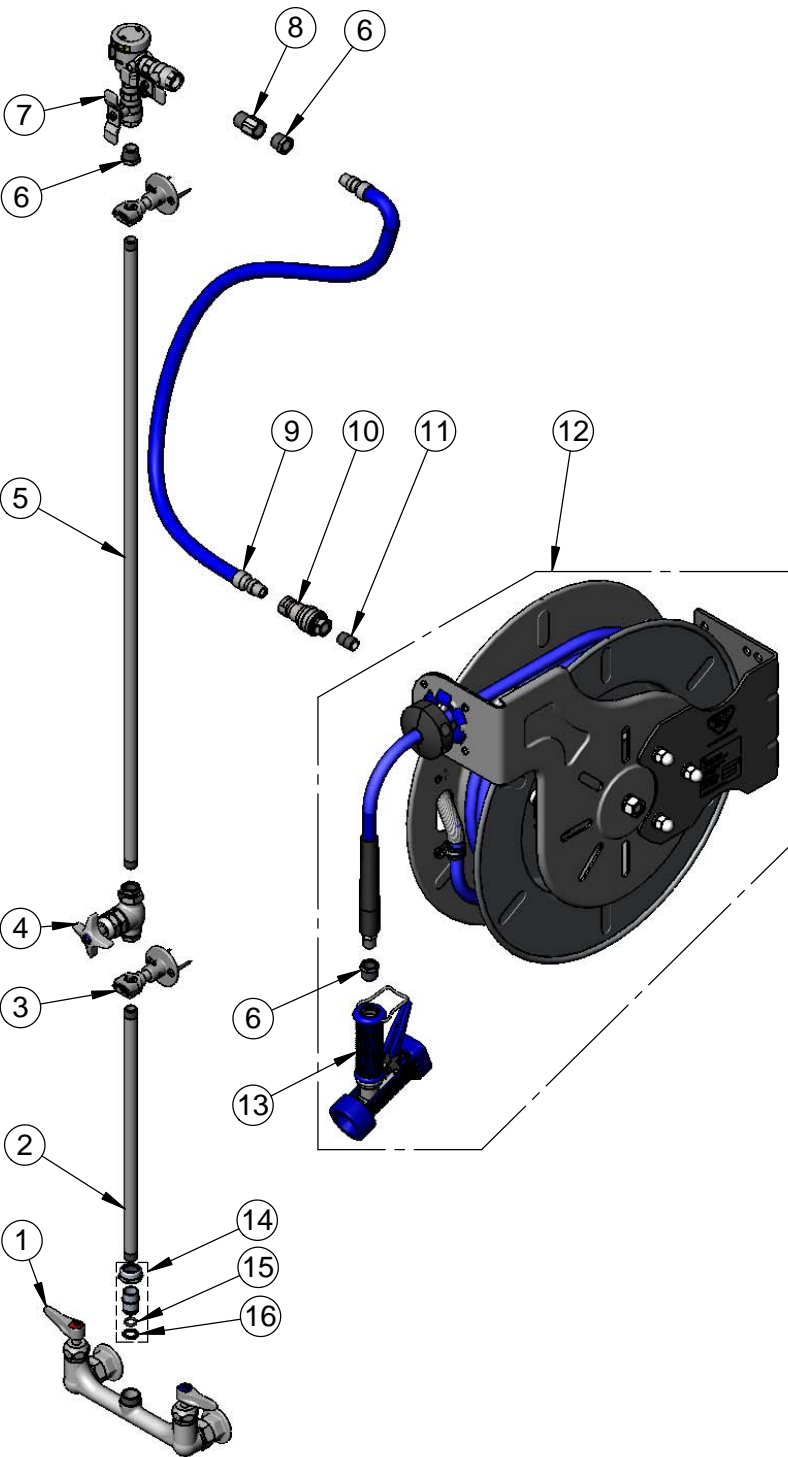


**T&S BRASS AND BRONZE WORKS, INC.**  
 2 Saddleback Cove / P.O. Box 1088  
 Travelers Rest, SC 29690

Model No.  
**B-1433-CR-SC**

Item No.

Travelers Rest, SC: 800-476-4103 • Simi Valley, CA: 800-423-0150 • Fax: 864-834-3518 • www.tsbrass.com



ITEM NO.	SALES NO.	DESCRIPTION
1	B-0131-LN-CR-SC	8" Wall Mount Base Faucet w/ Quarter-Turn Ceramas & Check Valves
2	000368-40	Nipple, 3/8" x 16"
3	B-0109-07	Wall Bracket
4	0RK3	Control Valve
5	002558-40	3/8" NPT x 40" Riser
6	001359-40	Hex Bushing, 1/2" NPT Male x 3/8" NPT Female
7	B-0963	Vacuum Breaker 1/2" NPT Female
8	015073-40	Check Valve w/ 1/2" NPT Adapter
9	HW-2B-36	3/8" NPT x 36" Flexible Water Hose
10	AW-5B	3/8" NPT Quick Disconnect
11	002535-25	3/8" Close Nipple
12	B-7142-02	Open Stainless Steel Hose Reel w/ 50' of 3/8" Hose
13	MV-2516-24	5/16" Orifice Rear Trigger Water Gun
14	EZ-K	EasyInstall Kit
15	001065-45	O-Ring
16	014200-45	Star Washer, Anti-Rotation

**Product Specifications:**

Open Stainless Steel Hose Reel w/ 50' of 3/8" Hose, Rear Trigger Water Gun, Vacuum Breaker, 3/8" NPT Flexible Water Connector, 8" Wall Mount Mixing Faucet w/ Quarter-Turn Cerama Cartridges, & Control Valve

**Product Compliance:**

NSF 61 Exempt (Non-Potable)  
 EPA Act 2005 Non-Compliant (PRSV)  
 ASSE 1056 (VB)