



T&S BRASS AND BRONZE WORKS, INC.

2 Saddleback Cove / P.O. Box 1088
Travelers Rest, SC 29690

Model No.

B-1433-CR-QDS

Item No.

Travelers Rest, SC: 800-476-4103 • Simi Valley, CA: 800-423-0150 • Fax: 864-834-3518 • www.tsbrass.com

This Space for Architect/Engineer Approval

Job Name _____ Date _____

Model Specified _____ Quantity _____

Customer/Wholesaler _____

Contractor _____

Architect/Engineer _____

B-0963
Continuous Pressure
Vacuum Breaker w/
Integral Check Valve

3/8" NPT x 36"
Flexible Water
Connector
To Hose Reel

Stainless Steel
Quick Disconnect

3/8" NPT x 40" Riser

Control Valve

(2) B-0109-07
Wall Brackets

EasyInstall
3/8" NPT x
16" Riser

3 11/16"
[93mm]

Adjustable From
7 3/4" to 8 1/4"
[197mm to 210mm]

8" Wall Mount
Mixing Faucet w/
Quarter-Turn
Cerama Cartridges
w/ Check Valves &
Lever Handles w/
Color Coded
Indexes

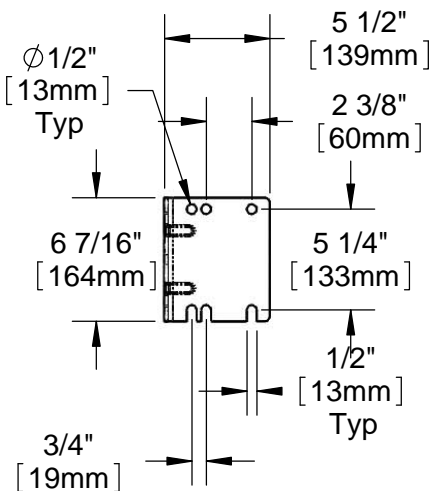
12 5/8"
[321mm]

Ø 2" [51mm]
Flanges w/
1/2" NPT
Female Inlets

EB-2322
Extended Wand Spray Valve w/
AW-5B Stainless Steel QD
EPAct 2005 Non-Compliant

Open Coated
Hose Reel
w/ 35'
of 3/8"
Hose

B-0107
1.42 GPM
Spray Valve w/
AW-5B
Stainless
Steel QD
**EPAct 2005
Compliant**



63 7/16"
[1611mm]

17 7/8"
[453mm]

2 3/8"
[61mm]

Product Specifications:

Open Coated Hose Reel w/ 35' of 3/8" Hose, Two Spray Valves w/ Quick Disconnects, Vacuum Breaker, 3/8" NPT Flexible Water Connector, 8" Wall Mount Mixing Faucet w/ Cerama Cartridges & Control Valve

Product Compliance:

NSF 61 Exempt (Non-Potable)
EPAct 2005 (B-0107)
EPAct 2005 Non-Compliant (EB-2322)
ASSE 1056 (VB)



T&S BRASS AND BRONZE WORKS, INC.

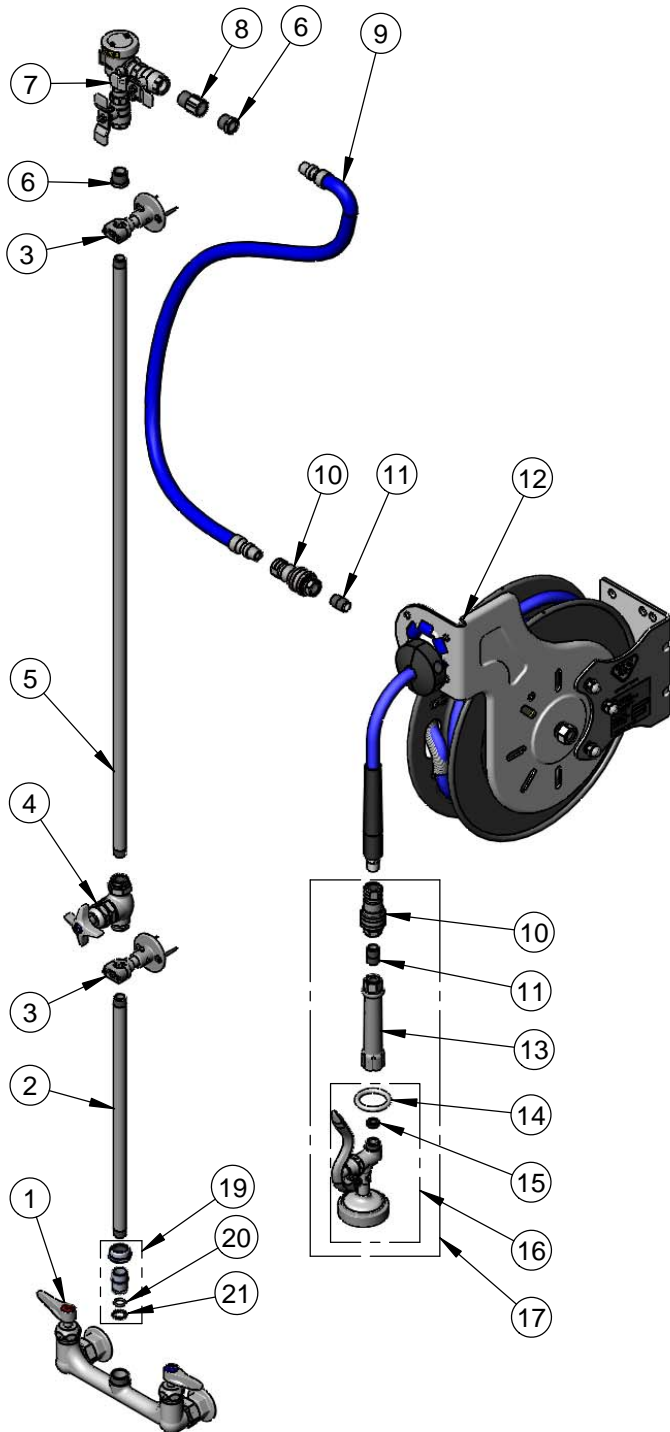
2 Saddleback Cove / P.O. Box 1088
Travelers Rest, SC 29690

Model No.

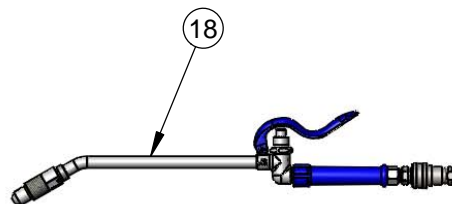
B-1433-CR-QDS

Item No.

Travelers Rest, SC: 800-476-4103 • Simi Valley, CA: 800-423-0150 • Fax: 864-834-3518 • www.tsbrass.com



| ITEM NO. | SALES NO. | DESCRIPTION |
|----------|-----------------|---|
| 1 | B-0131-LN-CR-SC | 8" Wall Mount Mixing Faucet |
| 2 | 000368-40 | 3/8" NPT x 16" Riser |
| 3 | B-0109-07 | Wall Bracket |
| 4 | 0RK3 | Valve Control |
| 5 | 002558-40 | 3/8" NPT x 40" Riser |
| 6 | 001359-40 | 1/2" NPT Male x 3/8" NPT Female Hex Bushing |
| 7 | B-0963 | 1/2" NPT Continuous Pressure VB w/ Integral Check Valve |
| 8 | 015073-40 | Check Valve w/ 1/2" NPT Adapter |
| 9 | HW-2B-36 | 3/8" NPT x 36" Flexible Water Hose |
| 10 | AW-5B | 3/8" NPT Quick Disconnect |
| 11 | 002535-25 | 3/8" Close Nipple |
| 12 | B-7232 | Open Coated Hose Reel w/ 35' of 3/8" Hose |
| 13 | 002881-40 | Grip Handle, 3/8" NPT |
| 14 | 000907-45 | Spray Valve Hold Down Ring |
| 15 | 010476-45 | #27 Washer |
| 16 | B-0107 | 1.42 GPM Spray Valve |
| 17 | B-0107-QD | 1.42 GPM Spray Valve w/ Stainless Steel Quick Disconnect |
| 18 | EB-2322-QD | Extended Wand Spray Valve w/ Stainless Steel Quick Disconnect |
| 19 | EZ-K | EasyInstall Kit |
| 20 | 001065-45 | O-Ring |
| 21 | 014200-45 | Lock Washer |



Product Specifications:

Open Coated Hose Reel w/ 35' of 3/8" Hose, Two Spray Valves w/ Quick Disconnects, Vacuum Breaker, 3/8" NPT Flexible Water Connector, 8" Wall Mount Mixing Faucet w/ Cerama Cartridges & Control Valve

Product Compliance:

NSF 61 Exempt (Non-Potable)
EPAAct 2005 (B-0107)
EPAAct 2005 Non-Compliant (EB-2322)
ASSE 1056 (VB)