



T&S BRASS AND BRONZE WORKS, INC.
 2 Saddleback Cove / P.O. Box 1088
 Travelers Rest, SC 29690

Model No.
B-1432-7122-C01

Item No.

Travelers Rest, SC: 800-476-4103 • Simi Valley, CA: 800-423-0150 • Fax: 864-834-3518 • www.tsbrass.com

This Space for Architect/Engineer Approval

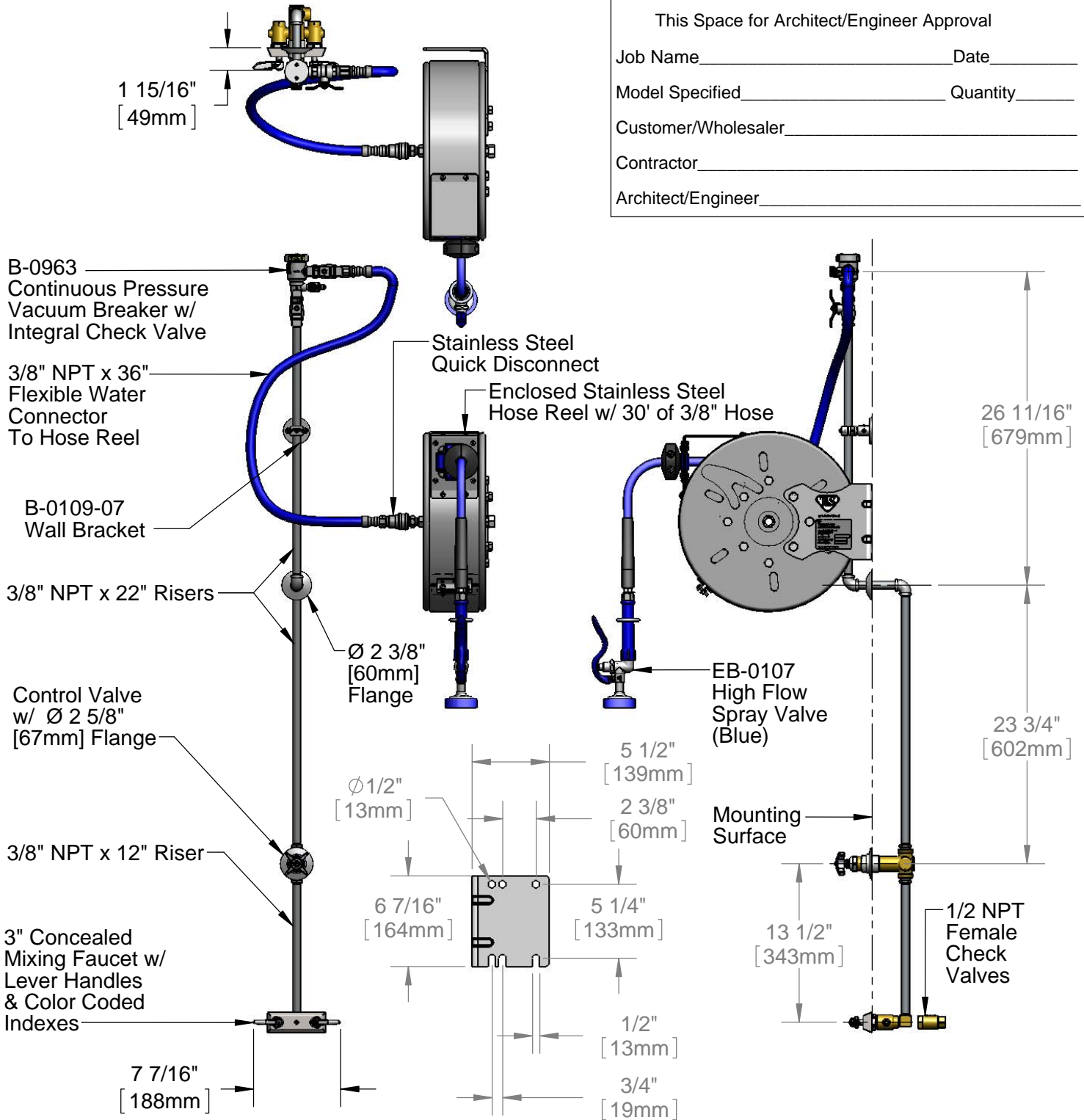
Job Name _____ Date _____

Model Specified _____ Quantity _____

Customer/Wholesaler _____

Contractor _____

Architect/Engineer _____



Product Specifications:
 Enclosed Stainless Steel Hose Reel w/ 30' of 3/8" Hose, High Flow Spray Valve (Blue), Vacuum Breaker, 3/8" NPT Flexible Water Connector, 3" Concealed Mixing Faucet & Control Valve

Product Compliance:
 NSF 61 Exempt (Non-Potable)
 EPA Act 2005 Non-Compliant (PRSV)
 ASSE 1056 (VB)



T&S BRASS AND BRONZE WORKS, INC.

2 Saddleback Cove / P.O. Box 1088
Travelers Rest, SC 29690

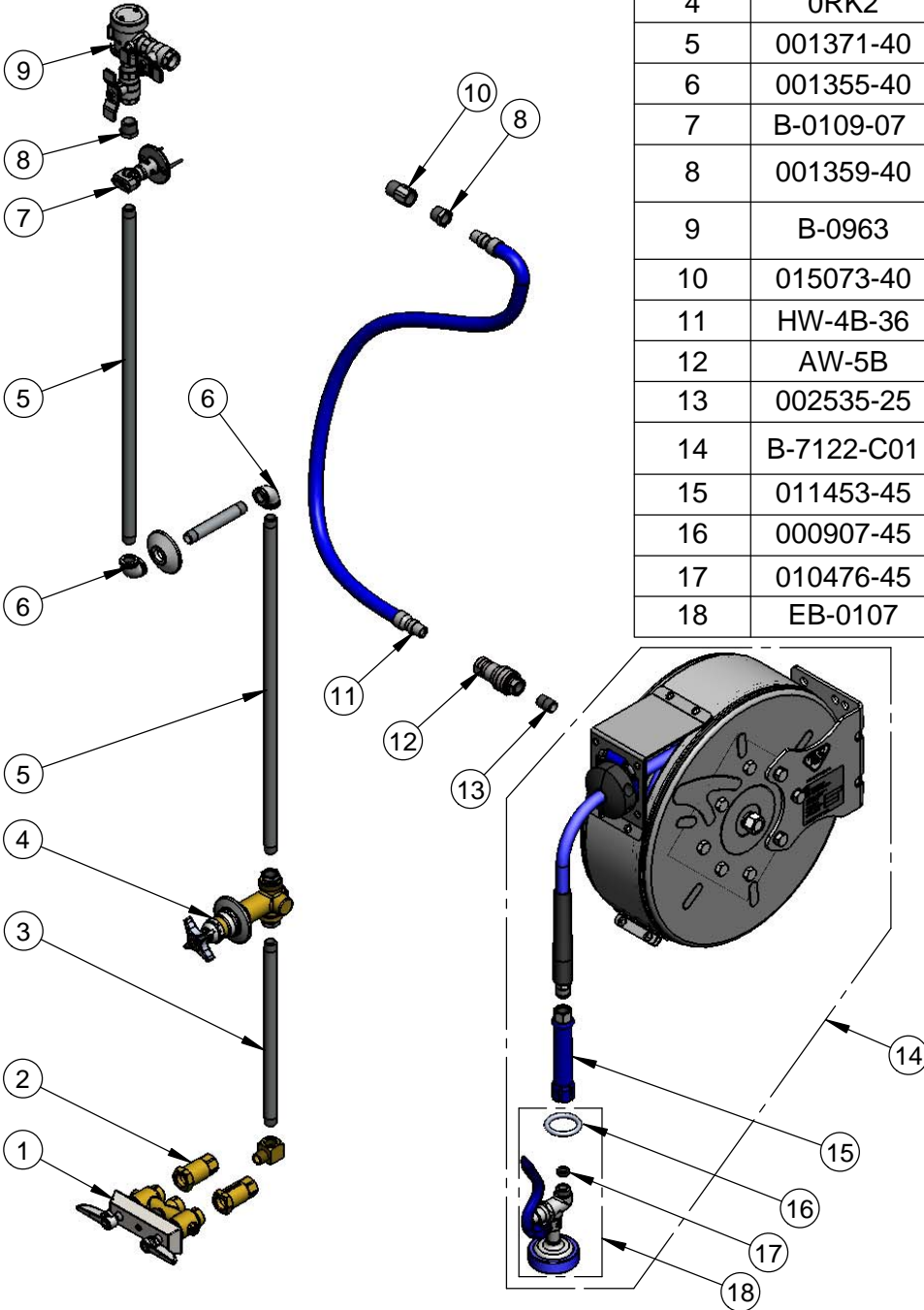
Model No.

B-1432-7122-C01

Item No.

Travelers Rest, SC: 800-476-4103 • Simi Valley, CA: 800-423-0150 • Fax: 864-834-3518 • www.tsbrass.com

ITEM NO.	SALES NO.	DESCRIPTION
1	B-0513	3" Concealed Mixing Faucet
2	B-CVH1-2	1/2" Check Valve
3	145X	3/8" NPT x 12" Riser
4	0RK2	Control Valve
5	001371-40	3/8" NPT x 22" Riser
6	001355-40	Elbow, 3/8 NPT
7	B-0109-07	Wall Bracket
8	001359-40	1/2" NPT Male x 3/8" NPT Female Hex Bushing
9	B-0963	1/2" NPT Continuous Pressure VB w/ Integral Check Valve
10	015073-40	Check Valve w/ 1/2" NPT Adapter
11	HW-4B-36	3/8" NPT x 36" Flexible Water Hose
12	AW-5B	3/8" NPT Quick Disconnect
13	002535-25	3/8" Close Nipple
14	B-7122-C01	Enclosed Stainless Steel Reel w/ 30' of 3/8" Hose
15	011453-45	Grip Handle (Blue), 3/8" NPT
16	000907-45	Spray Valve Hold Down Ring
17	010476-45	#27 Washer
18	EB-0107	High Flow Spray Valve (Blue)



Product Specifications:

Enclosed Stainless Steel Hose Reel w/ 30' of 3/8" Hose, High Flow Spray Valve (Blue), Vacuum Breaker, 3/8" NPT Flexible Water Connector, 3" Concealed Mixing Faucet & Control Valve

Product Compliance:

NSF 61 Exempt (Non-Potable)
EPA Act 2005 Non-Compliant (PRSV)
ASSE 1056 (VB)