



T&S BRASS AND BRONZE WORKS, INC.

2 Saddleback Cove / P.O. Box 1088
Travelers Rest, SC 29690

Model No.

B-1432-01

Item No.

Travelers Rest, SC: 800-476-4103 • Simi Valley, CA: 800-423-0150 • Fax: 864-834-3518 • www.tsbrass.com

This Space for Architect/Engineer Approval

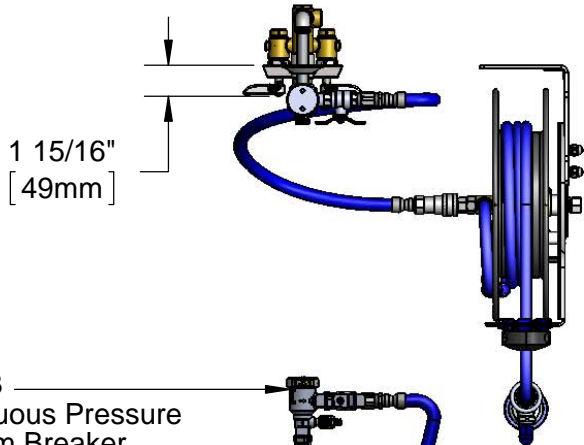
Job Name _____ Date _____

Model Specified _____ Quantity _____

Customer/Wholesaler _____

Contractor _____

Architect/Engineer _____



B-0963
Continuous Pressure
Vacuum Breaker
w/ Integral Check
Valve

3/8" NPT x 36"
Flexible Water
Connector

B-0109-07
Wall Bracket

3/8" NPT x 22" Risers

Control Valve
w/ \varnothing 2 5/8"
[67mm] Flange

3/8" NPT x 12" Riser

Stainless Steel
Quick Disconnect

Open Coated
Hose Reel
w/ 35' of 3/8"
Hose

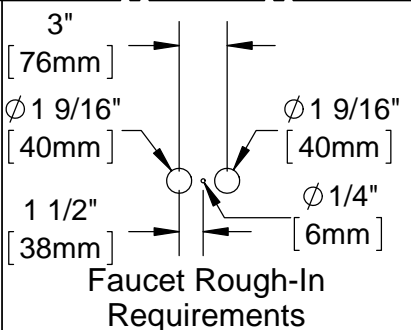
\varnothing 2 3/8"
[60mm]
Flange

EB-0107
High Flow
Spray Valve
(Blue)

26 11/16"
[679mm]

Mounting
Surface

23 3/4"
[602mm]



\varnothing 1/2"
[13mm]

5 1/2"
[139mm]

2 3/8"
[60mm]

6 7/16"
[164mm]

5 1/4"
[133mm]

3/4"
[19mm]

13 1/2"
[343mm]

7 7/16"
[188mm]

3" Concealed Mixing Faucet w/
Lever Handles & Color Coded Indexes

1/2 NPT
Female
Check
Valves

Product Specifications:

Open Coated Hose Reel w/ 35' of 3/8" Hose, High Flow Spray Valve (Blue), Vacuum Breaker, 3/8" NPT Flexible Water Connector, 3" Concealed Mixing Faucet & Control Valve

Product Compliance:

NSF 61 Exempt (Non-Potable)
EPA Act 2005 Non-Compliant (PRSV)
ASSE 1056 (VB)



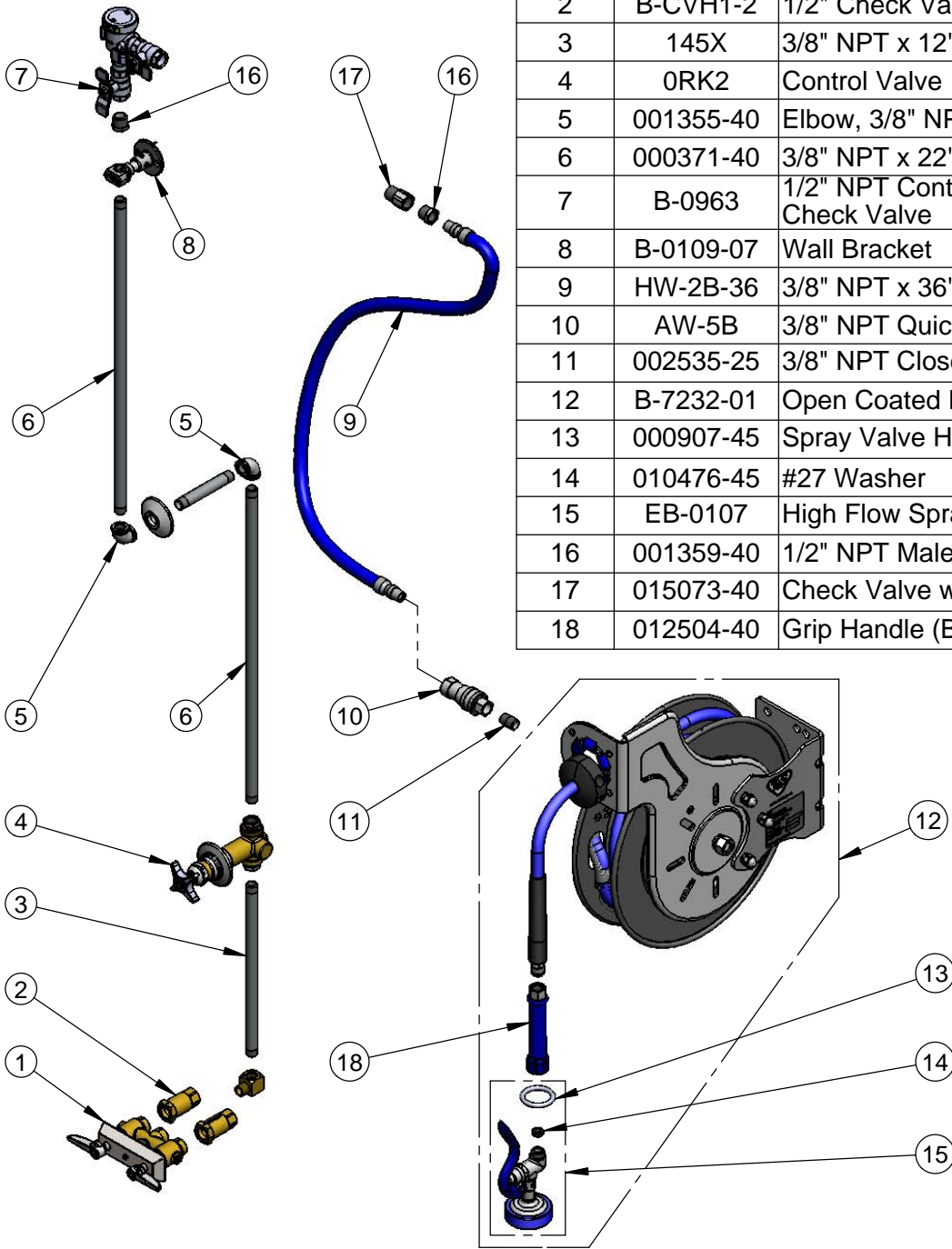
T&S BRASS AND BRONZE WORKS, INC.
 2 Saddleback Cove / P.O. Box 1088
 Travelers Rest, SC 29690

Model No.
B-1432-01

Item No.

Travelers Rest, SC: 800-476-4103 • Simi Valley, CA: 800-423-0150 • Fax: 864-834-3518 • www.tsbrass.com

ITEM NO.	SALES NO.	DESCRIPTION
1	B-0513	3" Concealed Mixing Faucet
2	B-CVH1-2	1/2" Check Valve
3	145X	3/8" NPT x 12" Riser
4	0RK2	Control Valve
5	001355-40	Elbow, 3/8" NPT
6	000371-40	3/8" NPT x 22" Riser
7	B-0963	1/2" NPT Continuous Pressure VB w/ Integral Check Valve
8	B-0109-07	Wall Bracket </td
9	HW-2B-36	3/8" NPT x 36" Flexible Water Hose
10	AW-5B	3/8" NPT Quick Disconnect
11	002535-25	3/8" NPT Close Nipple
12	B-7232-01	Open Coated Reel w/ 35' of 3/8" Hose
13	000907-45	Spray Valve Hold Down Ring
14	010476-45	#27 Washer
15	EB-0107	High Flow Spray Valve (Blue)
16	001359-40	1/2" NPT Male x 3/8" NPT Female Hex Bushing
17	015073-40	Check Valve w/ 1/2" NPT Adapter
18	012504-40	Grip Handle (Blue), 3/8" NPT



Product Specifications:

Open Coated Hose Reel w/ 35' of 3/8" Hose, High Flow Spray Valve (Blue), Vacuum Breaker, 3/8" NPT Flexible Water Connector, 3" Concealed Mixing Faucet & Control Valve

Product Compliance:

NSF 61 Exempt (Non-Potable)
 EPA Act 2005 Non-Compliant (PRSV)
 ASSE 1056 (VB)