



T&S BRASS AND BRONZE WORKS, INC.

2 Saddleback Cove / P.O. Box 1088
Travelers Rest, SC 29690

Model No.

B-1431

Item No.

Travelers Rest, SC: 800-476-4103 • Simi Valley, CA: 800-423-0150 • Fax: 864-834-3518 • www.tsbrass.com

This Space for Architect/Engineer Approval

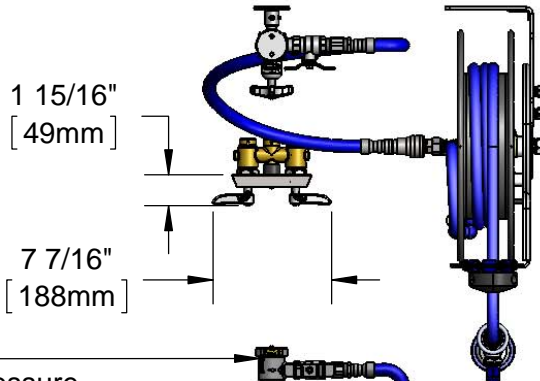
Job Name _____ Date _____

Model Specified _____ Quantity _____

Customer/Wholesaler _____

Contractor _____

Architect/Engineer _____



B-0963
Continuous Pressure
Vacuum Breaker
w/ Integral Check
Valve

3/8" NPT x 36"
Flexible Water
Connector
To Hose Reel

B-0109-07
Wall Bracket

Stainless Steel
Quick Disconnect

3/8" NPT x 40" Riser

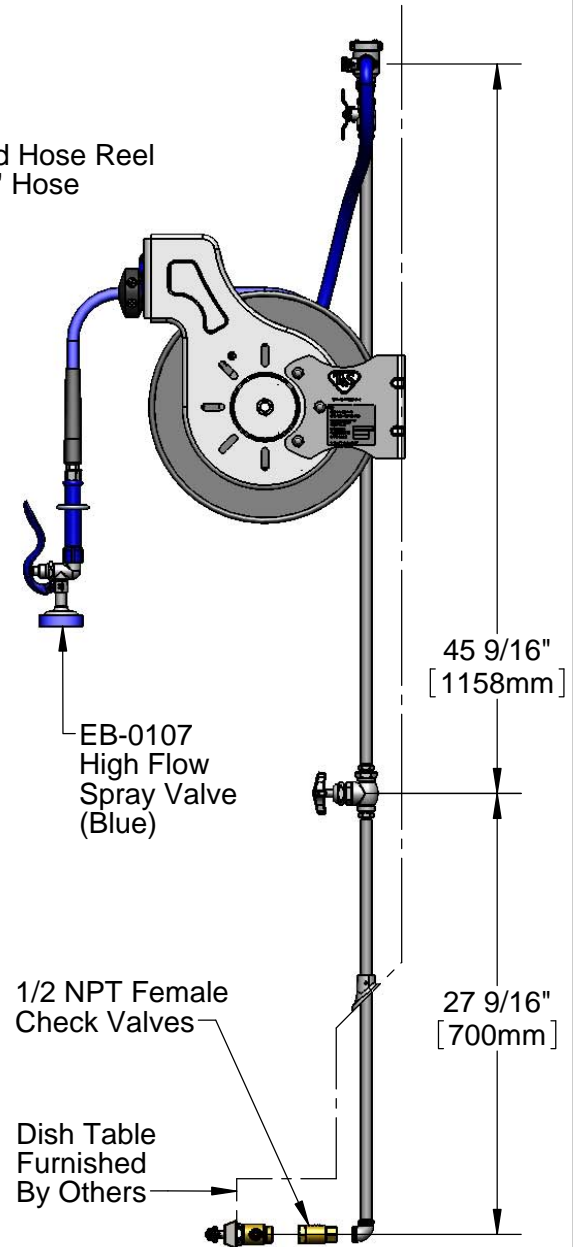
Control Valve

3/8" NPT Angled Flange

3/8" NPT x 26" Riser

3" Concealed
Mixing Faucet w/
Lever Handles
& Color Coded Indexes

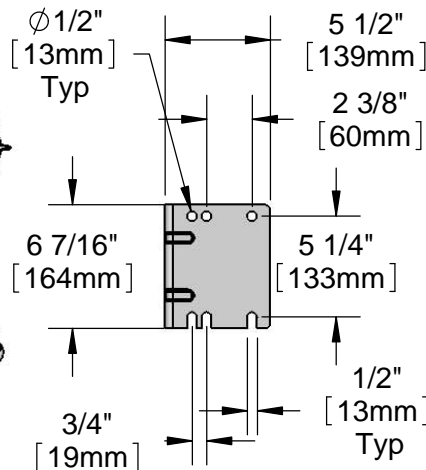
Open Coated Hose Reel
w/ 35' of 3/8" Hose



EB-0107
High Flow
Spray Valve
(Blue)

1/2 NPT Female
Check Valves

Dish Table
Furnished
By Others



Product Specifications:

Open Coated Hose Reel w/ 35' of 3/8" Hose, High Flow Spray Valve (Blue), Vacuum Breaker, 3/8" NPT Flexible Water Connector, 3" Concealed Mixing Faucet & Control Valve

Product Compliance:

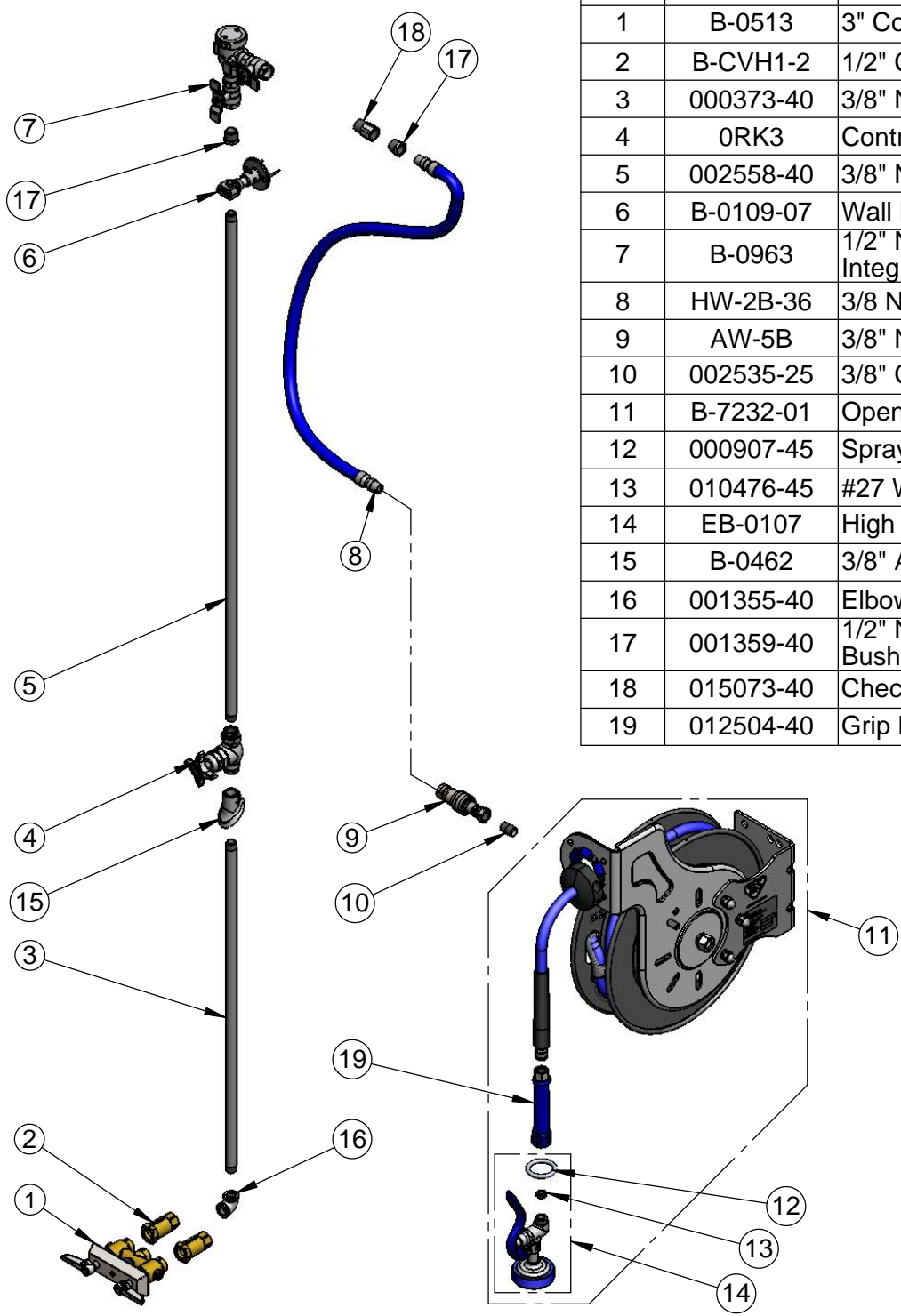
NSF 61 Exempt (Non-Potable)
EPA Act 2005 Non-Compliant (PRSV)
ASSE 1056 (VB)



T&S BRASS AND BRONZE WORKS, INC.
 2 Saddleback Cove / P.O. Box 1088
 Travelers Rest, SC 29690

Model No.
B-1431
 Item No.

Travelers Rest, SC: 800-476-4103 • Simi Valley, CA: 800-423-0150 • Fax: 864-834-3518 • www.tsbrass.com



ITEM NO	SALES NO.	DESCRIPTION
1	B-0513	3" Concealed Mixing Faucet
2	B-CVH1-2	1/2" Check Valve
3	000373-40	3/8" NPT x 26" Riser
4	0RK3	Control Valve
5	002558-40	3/8" NPT x 40" Riser
6	B-0109-07	Wall Bracket
7	B-0963	1/2" NPT Continuous Pressure VB w/ Integral Check Valve
8	HW-2B-36	3/8" NPT x 36" Flexible Water Hose
9	AW-5B	3/8" NPT Quick Disconnect
10	002535-25	3/8" Close Nipple
11	B-7232-01	Open Coated Reel w/ 35' of 3/8" Hose
12	000907-45	Spray Valve Hold Down Ring
13	010476-45	#27 Washer
14	EB-0107	High Flow Spray Valve (Blue)
15	B-0462	3/8" Angle Slip Flange
16	001355-40	Elbow, 3/8 NPT
17	001359-40	1/2" NPT Male x 3/8" NPT Female Hex Bushing
18	015073-40	Check Valve w/ 1/2" NPT Adapter
19	012504-40	Grip Handle (Blue), 3/8" NPT

Product Specifications:
 Open Coated Hose Reel w/ 35' of 3/8" Hose, High Flow Spray Valve (Blue), Vacuum Breaker, 3/8" NPT Flexible Water Connector, 3" Concealed Mixing Faucet & Control Valve

Product Compliance:
 NSF 61 Exempt (Non-Potable)
 EPA Act 2005 Non-Compliant (PRSV)
 ASSE 1056 (VB)