



# T&S BRASS AND BRONZE WORKS, INC.

2 Saddleback Cove / P.O. Box 1088  
Travelers Rest, SC 29690

Model No.

**B-1411**

Item No.

Travelers Rest, SC: 800-476-4103 • Simi Valley, CA: 800-423-0150 • Fax: 864-834-3518 • www.tsbrass.com

This Space for Architect/Engineer Approval

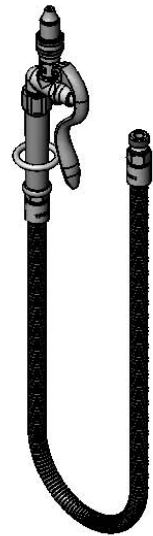
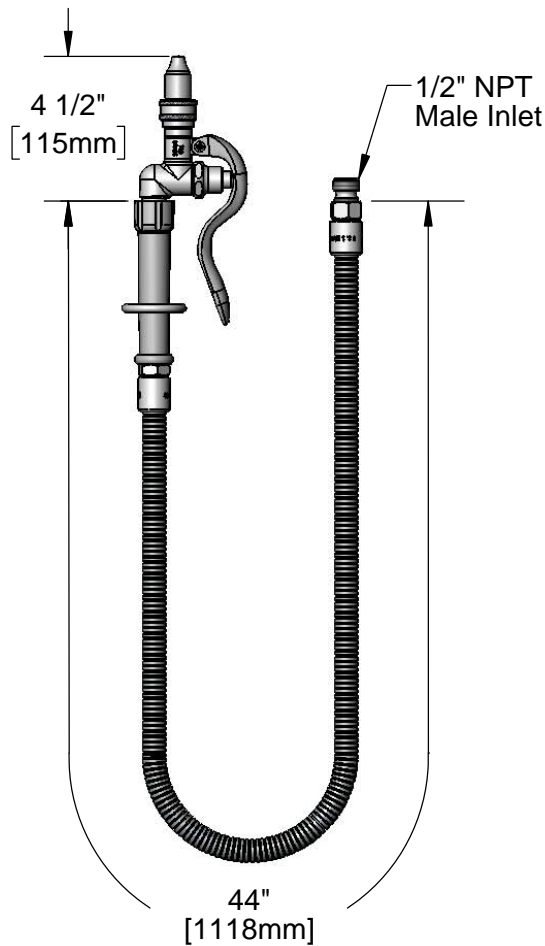
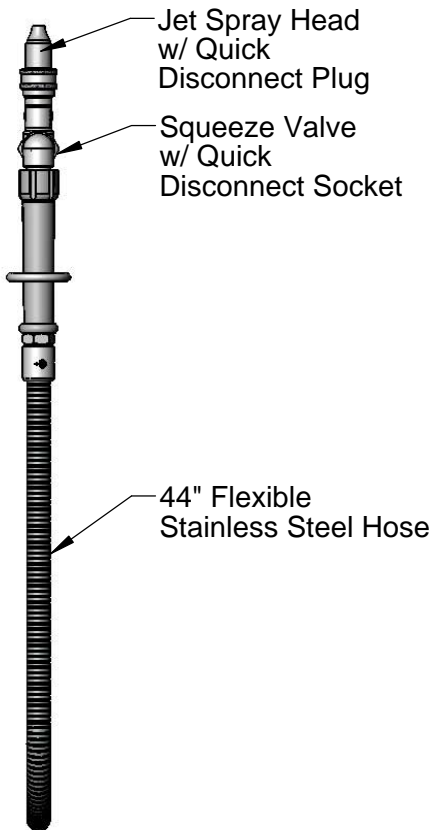
Job Name \_\_\_\_\_ Date \_\_\_\_\_

Model Specified \_\_\_\_\_ Quantity \_\_\_\_\_

Customer/Wholesaler \_\_\_\_\_

Contractor \_\_\_\_\_

Architect/Engineer \_\_\_\_\_



**Product Specifications:**

44" Flexible Stainless Steel Hose w/ Automatic Shut-Off Squeeze Valve, Jet Spray Head, 2 Piece Quick Disconnect & 1/2" NPT Male Inlet

**Product Compliance:**

ASME A112.18.1 / CSA B125.1  
NSF 61 - Section 9  
NSF 372 (Low Lead Content)  
EPA 2005 Non-Compliant (PRSV)

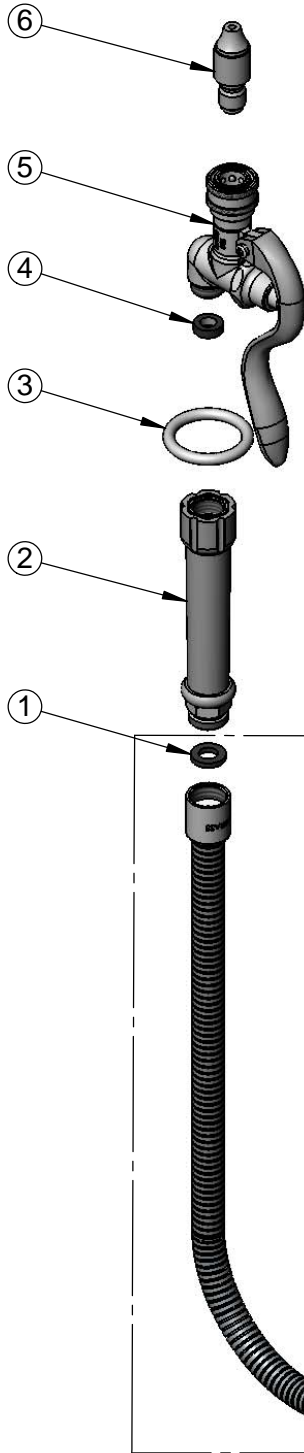


**T&S BRASS AND BRONZE WORKS, INC.**  
 2 Saddleback Cove / P.O. Box 1088  
 Travelers Rest, SC 29690

Model No.  
**B-1411**

Item No.

Travelers Rest, SC: 800-476-4103 • Simi Valley, CA: 800-423-0150 • Fax: 864-834-3518 • www.tsbrass.com



ITEM NO.	SALES NO.	DESCRIPTION
1	001014-45	Washer, B-0100 Hose Barrel
2	002987-40	Grip Handle
3	000907-45	Spray Valve Hold Down Ring
4	010476-45	#27 Washer
5	B-1420	Squeeze Valve w/ Quick Disconnect Socket
6	B-1422	Straight Nozzle Jet
7	055A	Adapter, 1/2 NPT Male
8	000729-40	Nut, 7/8-20 Male x 3/4-14 Female
9	B-0044-H2A	44" Flexible Stainless Steel Hose, Less Handle

Product Specifications:  
 44" Flexible Stainless Steel Hose w/ Automatic Shut-Off Squeeze Valve,  
 Jet Spray Head, 2 Piece Quick Disconnect & 1/2" NPT Male Inlet

Product Compliance:  
 ASME A112.18.1 / CSA B125.1  
 NSF 61 - Section 9  
 NSF 372 (Low Lead Content)  
 EPA Act 2005 Non-Compliant (PRSV)