



T&S BRASS AND BRONZE WORKS, INC.
 2 Saddleback Cove / P.O. Box 1088
 Travelers Rest, SC 29690

Model No.
B-1344

Item No.

Travelers Rest, SC: 800-476-4103 • Simi Valley, CA: 800-423-0150 • Fax: 864-834-3518 • www.tsbrass.com



ADA Compliant

This Space for Architect/Engineer Approval

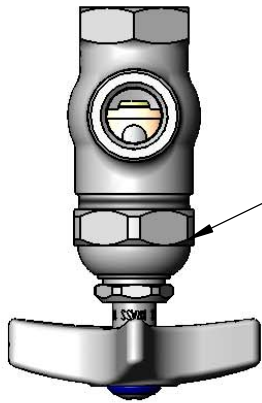
Job Name _____ Date _____

Model Specified _____ Quantity _____

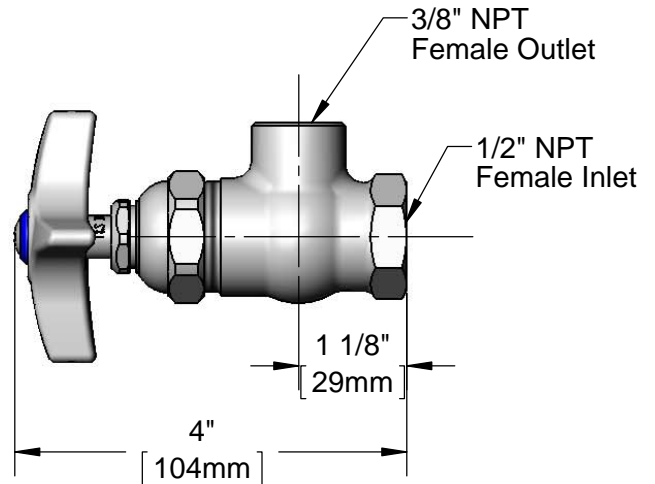
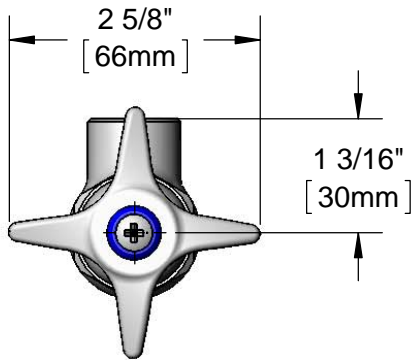
Customer/Wholesaler _____

Contractor _____

Architect/Engineer _____



Eterna Cartridge
 w/ Four-Arm Handle &
 Color Coded Index



Product Specifications:
 Angle Stop With Eterna Cartridge, Four-Arm Handle, 1/2" NPT Female
 Inlet and 3/8" NPT Female Outlet

Product Compliance:
 ASME A112.18.1 / CSA B125.1
 NSF 61 - Section 9
 NSF 372 (Low Lead Content)
 ANSI A117.1 (ADA)



T&S BRASS AND BRONZE WORKS, INC.
2 Saddleback Cove / P.O. Box 1088
Travelers Rest, SC 29690

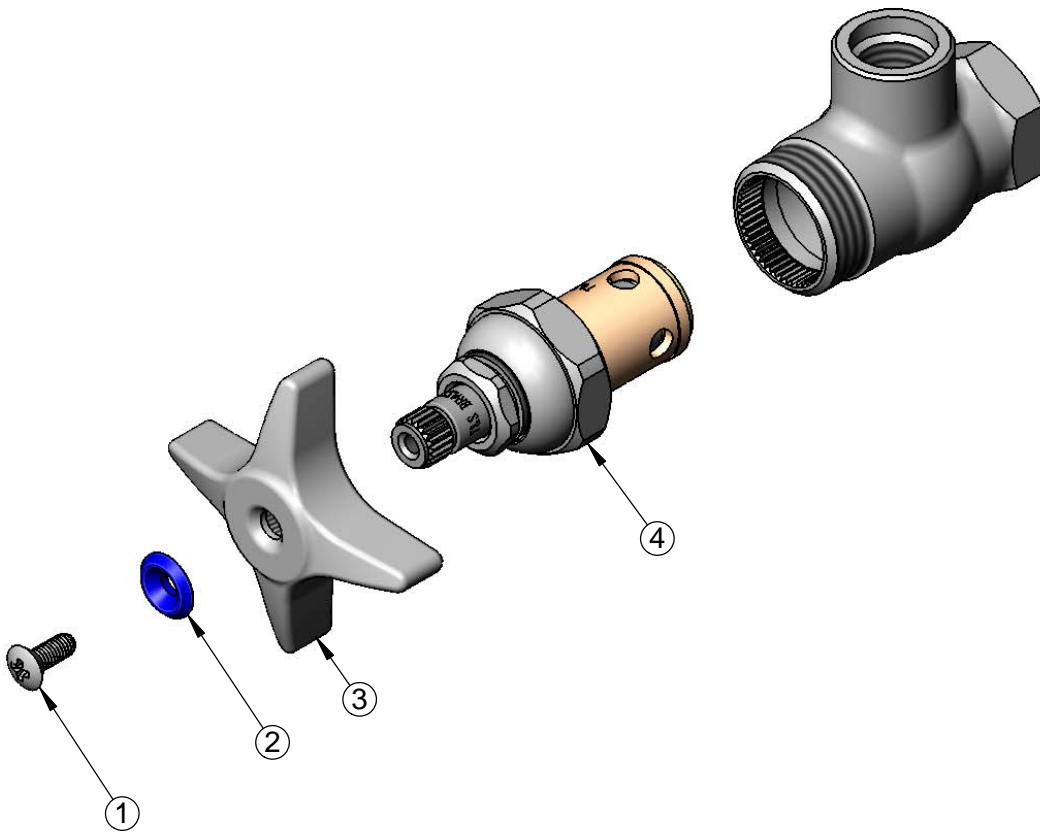
Model No.

B-1344

Item No.

Travelers Rest, SC: 800-476-4103 • Simi Valley, CA: 800-423-0150 • Fax: 864-834-3518 • www.tsbrass.com

| ITEM NO. | SALES NO. | DESCRIPTION |
|----------|-----------|-----------------------|
| 1 | 000922-45 | Lever Handle Screw |
| 2 | 001660-45 | Blue Index-CW |
| 3 | 002521-45 | 4-Arm Handle |
| 4 | 005960-40 | Eterna Cartridge, RTC |



Product Specifications:

Angle Stop With Eterna Cartridge, Four-Arm Handle, 1/2" NPT Female Inlet and 3/8" NPT Female Outlet

Product Compliance:

ASME A112.18.1 / CSA B125.1
NSF 61 - Section 9
NSF 372 (Low Lead Content)
ANSI A117.1 (ADA)