



T&S BRASS AND BRONZE WORKS, INC.  
 2 SADDLEBACK COVE / P.O. BOX 1088 / TRAVELERS REST, SC 29690  
 PHONE 800-476-4103 FAX 864-834-3518



Model No.

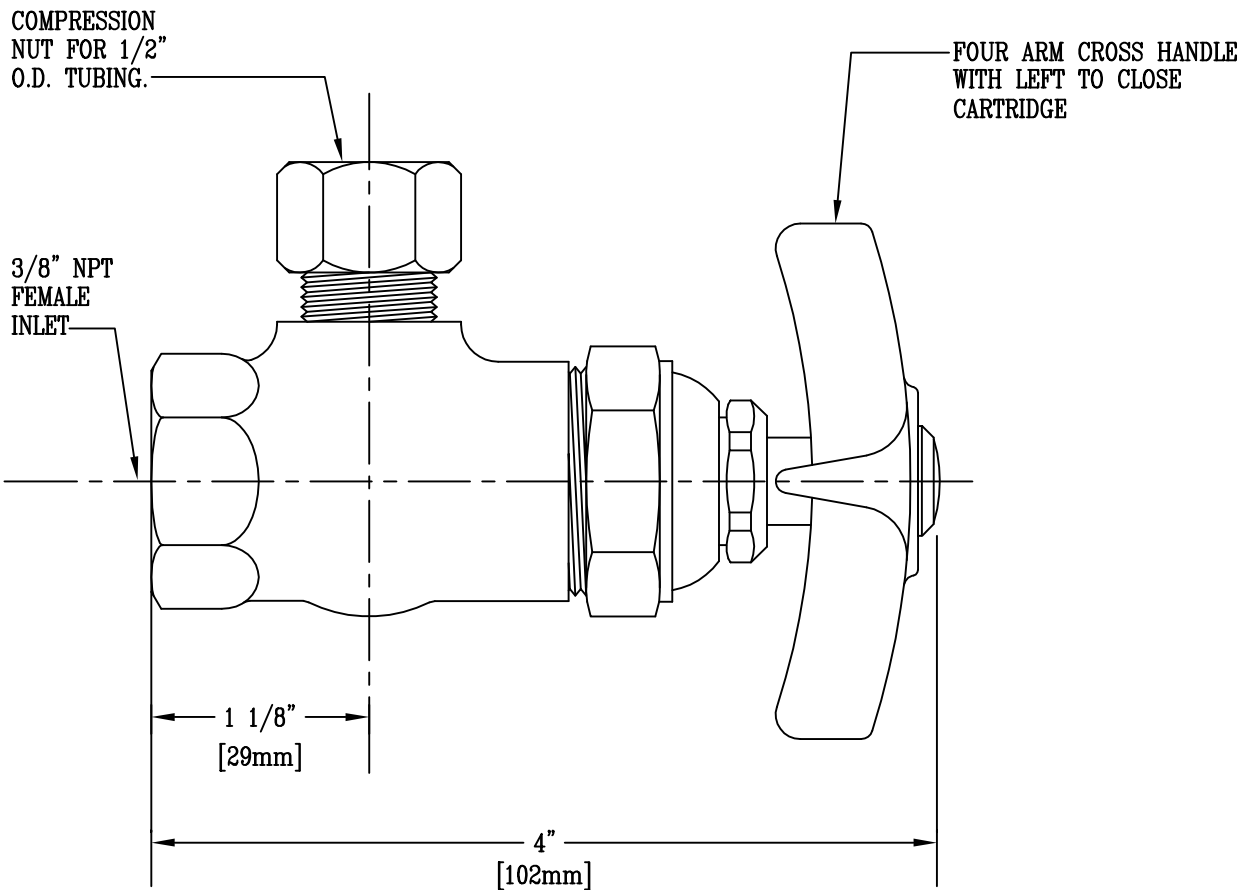
B-1341

Item No.:

Job Name:

Architect/Engineer Approval:

Notes:



Product Description:  
 ANGLE STOP WITH 3/8" NPT FEMALE INLET, 4-ARM HANDLE,  
 LEFT TO CLOSE CARTRIDGE, 1/2" COMPRESSION MALE OUTLET

Drawn:

WJS

Checked

ARD

Scale:

1 : 1

Approved

CA

Date:

8/11/95