



T&S BRASS AND BRONZE WORKS, INC.
 2 Saddleback Cove / P.O. Box 1088
 Travelers Rest, SC 29690

Model No.
B-1255

Item No.

Travelers Rest, SC: 800-476-4103 • Simi Valley, CA: 800-423-0150 • Fax: 864-834-3518 • www.tsbrass.com

This Space for Architect/Engineer Approval

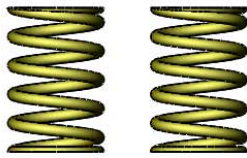
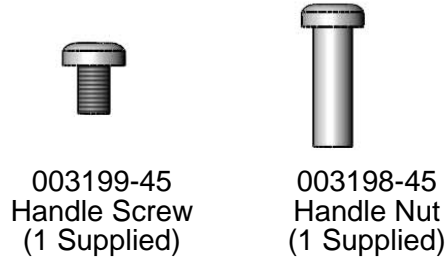
Job Name _____ Date _____

Model Specified _____ Quantity _____

Customer/Wholesaler _____

Contractor _____

Architect/Engineer _____



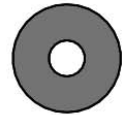
000894-45
Spring
(2 Supplied)



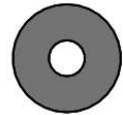
000974-45
Bonnet Washer
(2 Supplied)



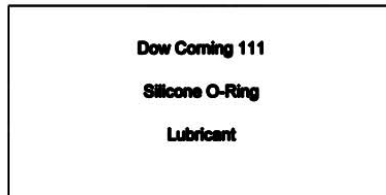
001100-45
Stem Packing
(2 Supplied)



001094-45
Seat Washer
(2 Supplied)



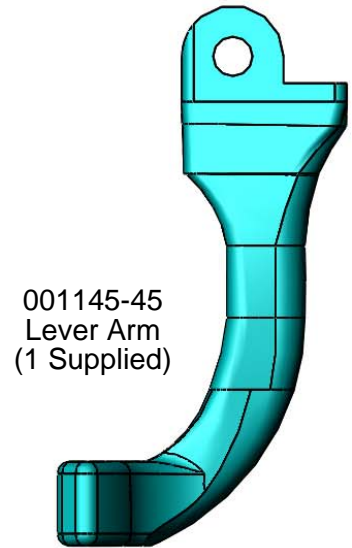
001062-45
O-Ring
(2 Supplied)



012665-45
Silicon Grease Tube
(1 Supplied)



003090-45
Outlet Tip
(1 Supplied)



Product Specifications:
 Replacement Parts Kit for
 Retro "Old Style" Glass Fillers

Product Compliance:
 NSF 61 - Section 9
 NSF 372 (Low Lead Content)