



T&S BRASS AND BRONZE WORKS, INC.
 2 Saddleback Cove / P.O. Box 1088
 Travelers Rest, SC 29690

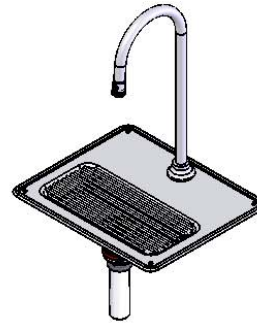
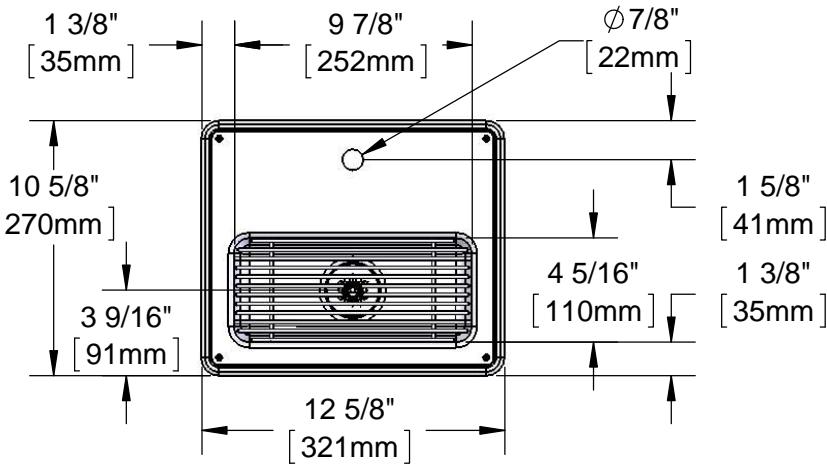
Model No.
B-1240

Item No.

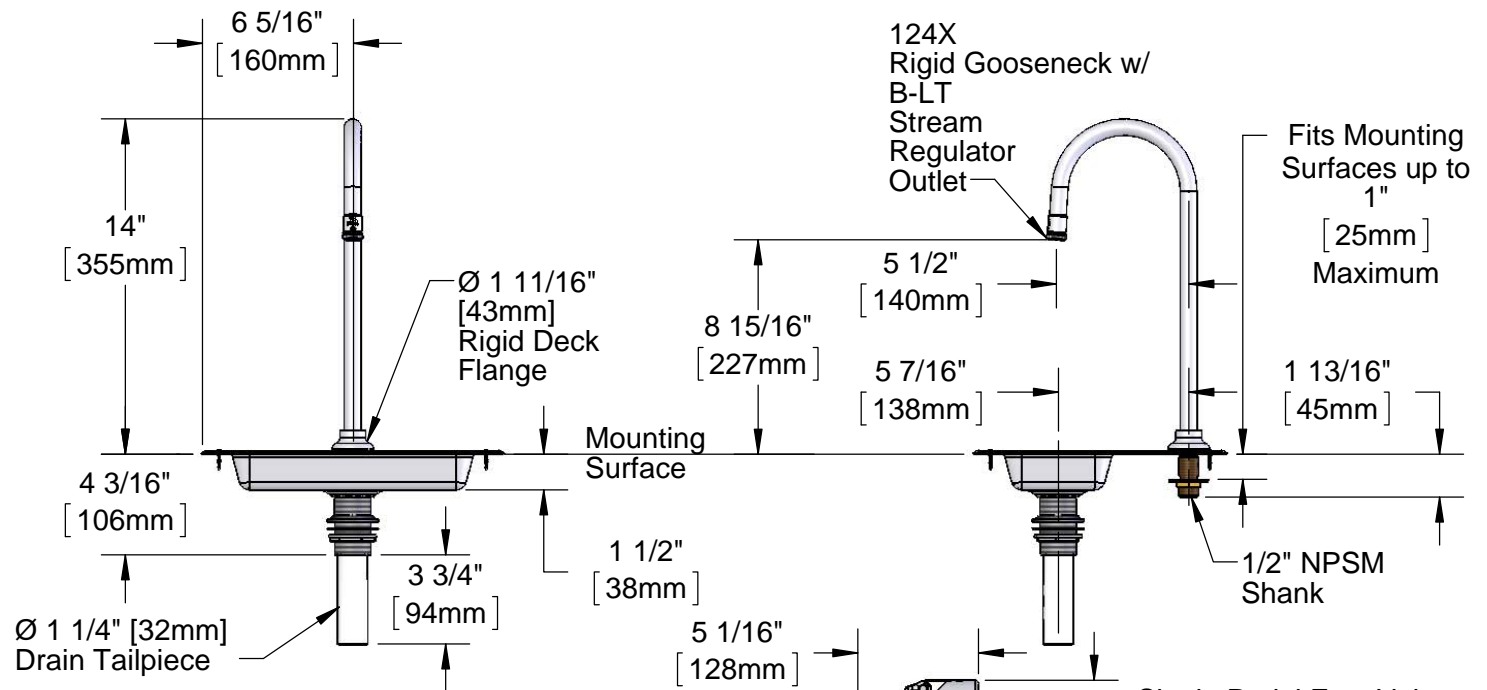
Travelers Rest, SC: 800-476-4103 • Simi Valley, CA: 800-423-0150 • Fax: 864-834-3518 • www.tsbrass.com

This Space for Architect/Engineer Approval

Job Name _____ Date _____
 Model Specified _____ Quantity _____
 Customer/Wholesaler _____
 Contractor _____
 Architect/Engineer _____



150A
 Tailpiece & Nut
 For Optional
 1/4" NPT Connection



Note: 18 Ga. Stainless Steel Pan w/ Beaded Edge. Supplied w/ Mastic & Stainless Steel Screws For Mounting.

Note: Rough-In Requirement
 Ø 1" [25mm] Mounting Hole

Single Pedal Foot Valve Mounted on Floor.
 Note: Inlets & Outlets Are 1/2" NPT Female. Piping Between Pedal Valve & Gooseneck Furnished By Others.

Product Specifications:
 Water Filling Station w/ 124X Rigid Gooseneck, B-0507
 Single Pedal Valve Body & Stainless Steel Drip Pan

Product Compliance:
 ASME A112.18.1 / CSA B125.1
 NSF 61 - Section 9
 NSF 372 (Low Lead Content)
 ANSI A117.1 (ADA)



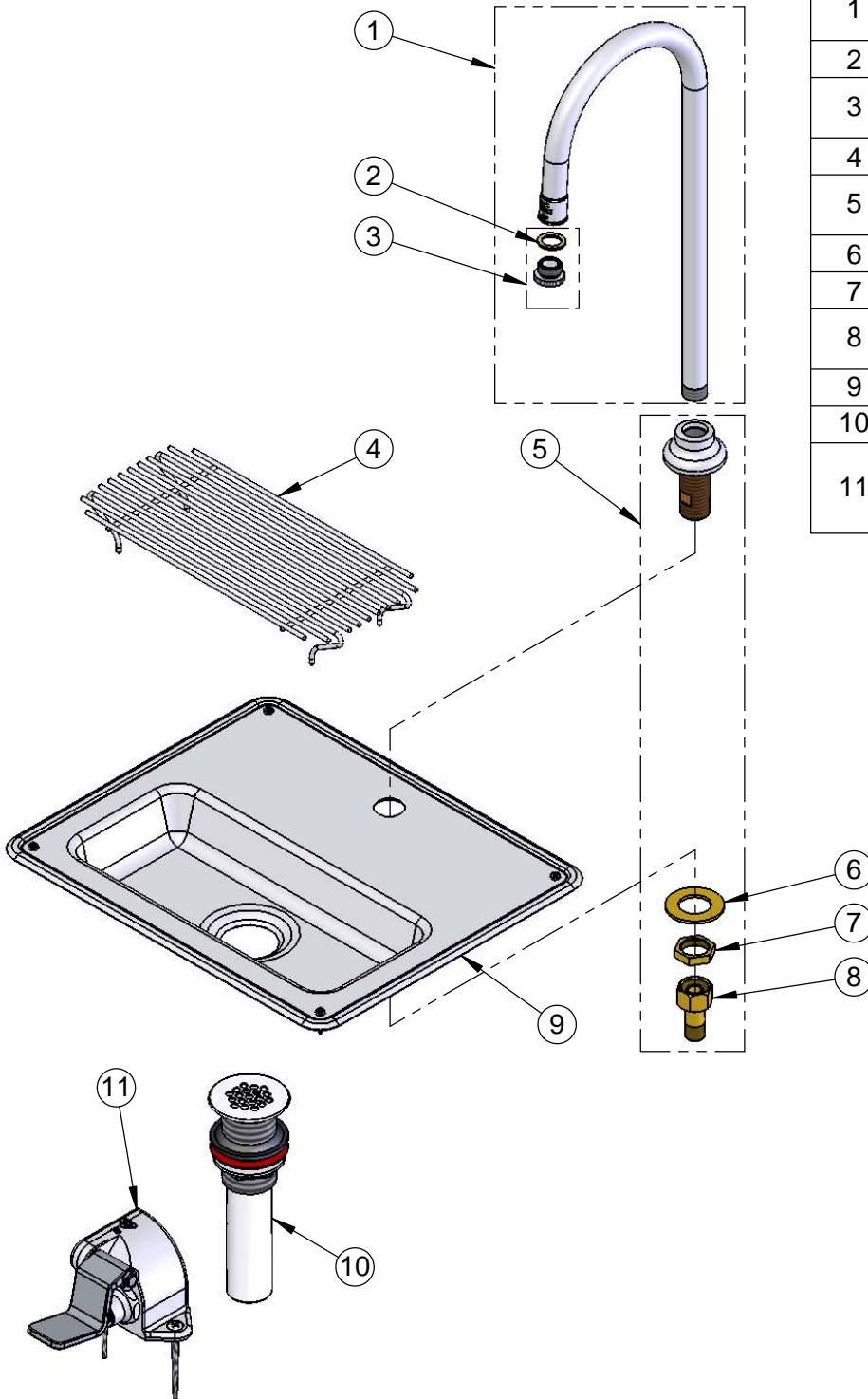
T&S BRASS AND BRONZE WORKS, INC.
 2 Saddleback Cove / P.O. Box 1088
 Travelers Rest, SC 29690

Model No.
B-1240

Item No.

Travelers Rest, SC: 800-476-4103 • Simi Valley, CA: 800-423-0150 • Fax: 864-834-3518 • www.tsbrass.com

ITEM NO.	SALES NO.	DESCRIPTION
1	124X	Rigid Gooseneck w/ B-LT Stream Regulator
2	001043-45	Washer
3	B-LT	Stream Regulator Outlet
4	183F	Drain Pan Grid
5	B-0430	Rigid Base Flange w/ 3/8" NPT Outlet
6	000999-45	Brass Lock Washer
7	002954-45	Shank Lock Nut
8	150A	Bag of (1) Tailpiece & (1) Nut
9	010123-45	Drip Pan
10	010126-45	Drip Pan Drain
11	B-0507	Single Foot Pedal Valve w/ 1/2" NPT Female Inlet & Outlet



Product Specifications:
 Water Filling Station w/ 124X Rigid Gooseneck, B-0507
 Single Pedal Valve Body & Stainless Steel Drip Pan

Product Compliance:
 ASME A112.18.1 / CSA B125.1
 NSF 61 - Section 9
 NSF 372 (Low Lead Content)
 ANSI A117.1 (ADA)