



**T&S BRASS AND BRONZE WORKS, INC.**  
 2 Saddleback Cove / P.O. Box 1088  
 Travelers Rest, SC 29690

Model No.  
**B-1215**

Item No.

Travelers Rest, SC: 800-476-4103 • Simi Valley, CA: 800-423-0150 • Fax: 864-834-3518 • www.tsbrass.com



**ADA Compliant**

This Space for Architect/Engineer Approval

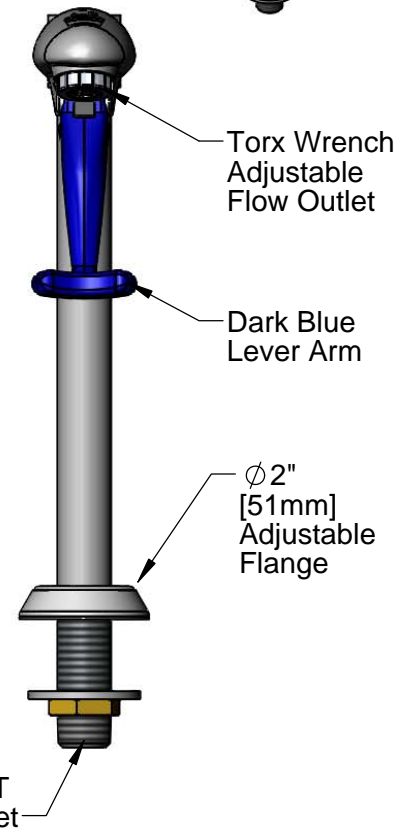
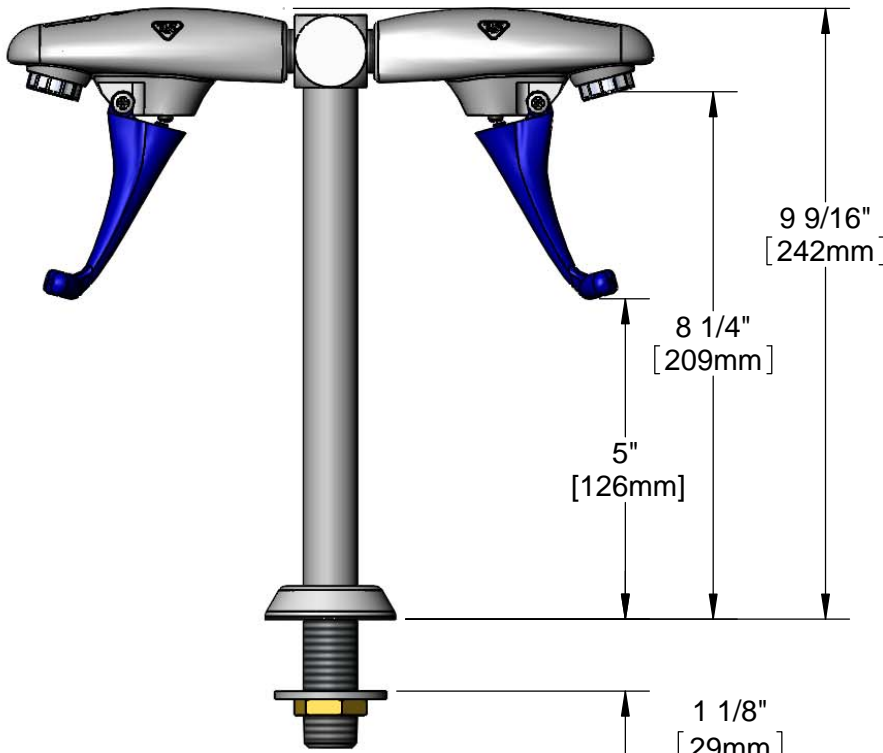
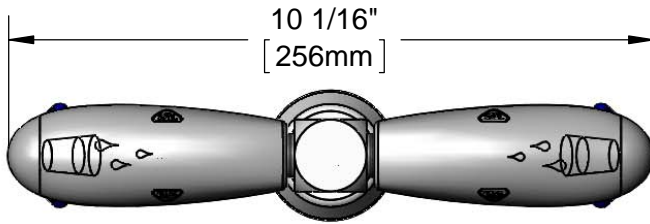
Job Name \_\_\_\_\_ Date \_\_\_\_\_

Model Specified \_\_\_\_\_ Quantity \_\_\_\_\_

Customer/Wholesaler \_\_\_\_\_

Contractor \_\_\_\_\_

Architect/Engineer \_\_\_\_\_



Rough-In Requirement:  
 Ø 1" [25mm] Mounting Hole

Product Specifications:  
 8" Pedestal Type Double Glass Filler, Push Back Design, 1/2" NPT Male Shank, Adjustable Flange & Dark Blue Self-Closing Arm

Product Compliance:  
 ASME A112.18.1 / CSA B125.1  
 NSF 61 - Section 9  
 NSF 372 (Low Lead Content)  
 ANSI A117.1 (ADA)



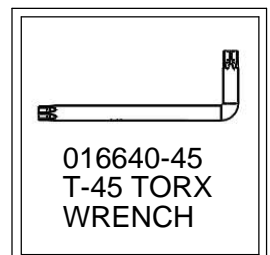
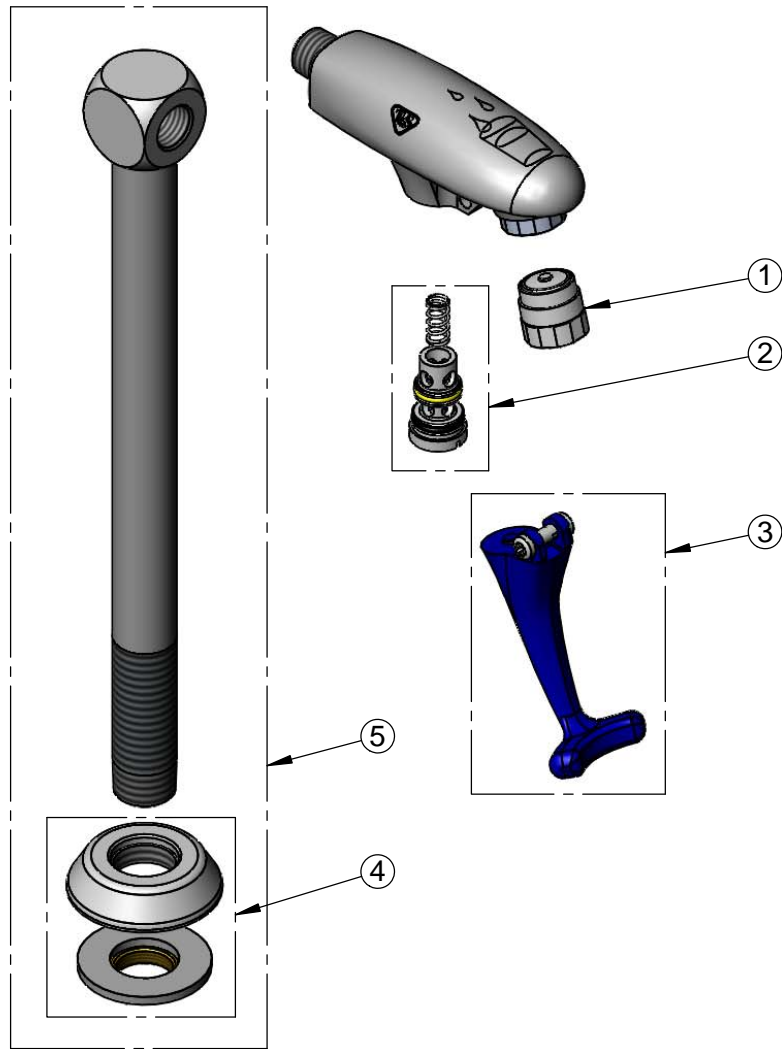
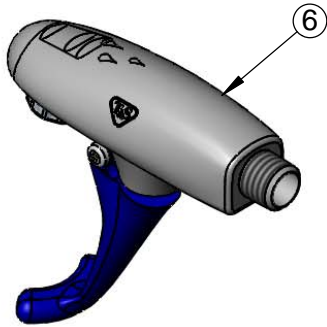
**T&S BRASS AND BRONZE WORKS, INC.**  
 2 Saddleback Cove / P.O. Box 1088  
 Travelers Rest, SC 29690

Model No.  
**B-1215**

Item No.

Travelers Rest, SC: 800-476-4103 • Simi Valley, CA: 800-423-0150 • Fax: 864-834-3518 • www.tsbrass.com

ITEM NO.	SALES NO.	DESCRIPTION
1	015588-40	Adjustable Outlet w/ Torx Wrench
2	015589-40	Valve Assembly
3	015550-45	Lever Arm Repair Kit
4	016783-40	Adjustable Deck Flange Repair Kit
5	007009-40	Pedestal Assembly
6	B-1205	Wall Mount Glass Filler



**Product Specifications:**  
 8" Pedestal Type Double Glass Filler, Push Back Design, 1/2" NPT Male Shank, Adjustable Flange & Dark Blue Self-Closing Arm

**Product Compliance:**  
 ASME A112.18.1 / CSA B125.1  
 NSF 61 - Section 9  
 NSF 372 (Low Lead Content)  
 ANSI A117.1 (ADA)