



# T&S BRASS AND BRONZE WORKS, INC.

2 Saddleback Cove / P.O. Box 1088  
Travelers Rest, SC 29690

Model No.

**B-1193**

Item No.

Travelers Rest, SC: 800-476-4103 • Simi Valley, CA: 800-423-0150 • Fax: 864-834-3518 • www.tsbrass.com

This Space for Architect/Engineer Approval

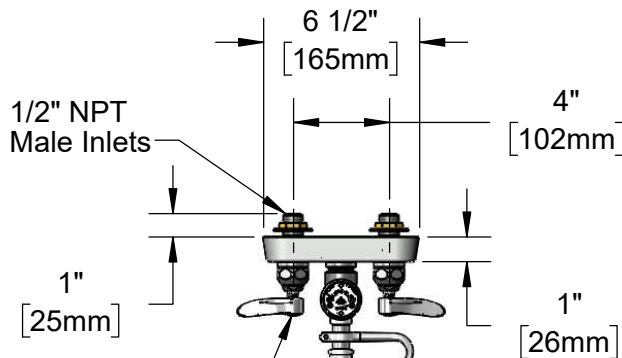
Job Name \_\_\_\_\_ Date \_\_\_\_\_

Model Specified \_\_\_\_\_ Quantity \_\_\_\_\_

Customer/Wholesaler \_\_\_\_\_

Contractor \_\_\_\_\_

Architect/Engineer \_\_\_\_\_



1/2" NPT  
Male Inlets

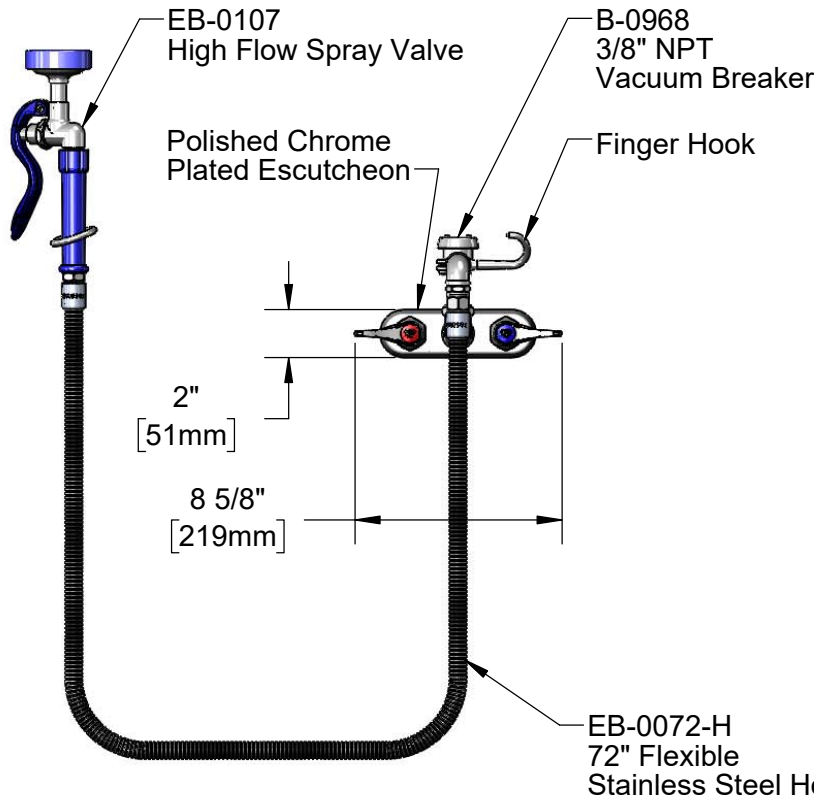
1"  
[25mm]

4"  
[102mm]

1"  
[26mm]

Quarter-Turn Eterna  
Cartridges w/ Spring  
Checks & Lever  
Handles w/ Color  
Coded Indexes

Items Not Shown  
for Clarity



EB-0107  
High Flow Spray Valve

Polished Chrome  
Plated Escutcheon

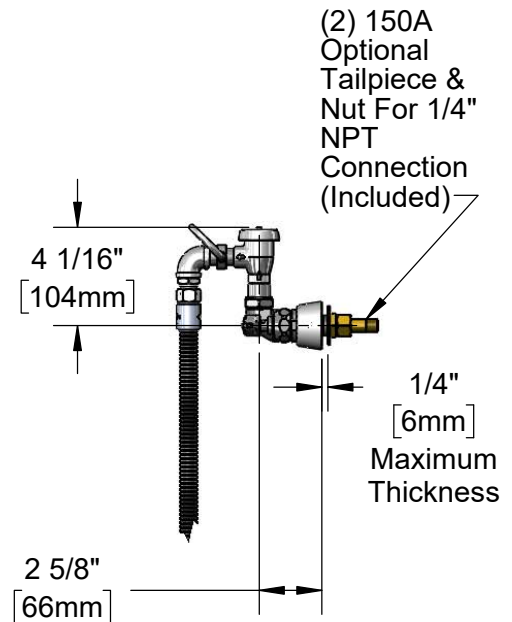
B-0968  
3/8" NPT  
Vacuum Breaker

Finger Hook

2"  
[51mm]

8 5/8"  
[219mm]

EB-0072-H  
72" Flexible  
Stainless Steel Hose



(2) 150A  
Optional  
Tailpiece &  
Nut For 1/4"  
NPT  
Connection  
(Included)

4 1/16"  
[104mm]

1/4"  
[6mm]  
Maximum  
Thickness

2 5/8"  
[66mm]

**Rough-In Requirement:**

Faucet: (3) Ø 1" [25mm] Mounting Holes

Deck Flange: (1) Ø 1 9/16" Mounting Hole

**Product Specifications:**

4" Wall Mount Mixing Faucet, Quarter-Turn Eterna Cartridges w/ Spring Checks, Lever Handles, 3/8" NPT Vacuum Breaker w/ Adapter Outlet, High Flow Spray Valve, 72" Flexible Stainless Steel Hose & 1/2" NPT Male Inlets

**Product Compliance:**

ASME A112.18.1 / CSA B125.1  
NSF 61 - Section 9  
NSF 372 (Low Lead Content)  
EPA Act 2005 Non-Compliant (PRSV)  
ASSE 1001 (VB)



# T&S BRASS AND BRONZE WORKS, INC.

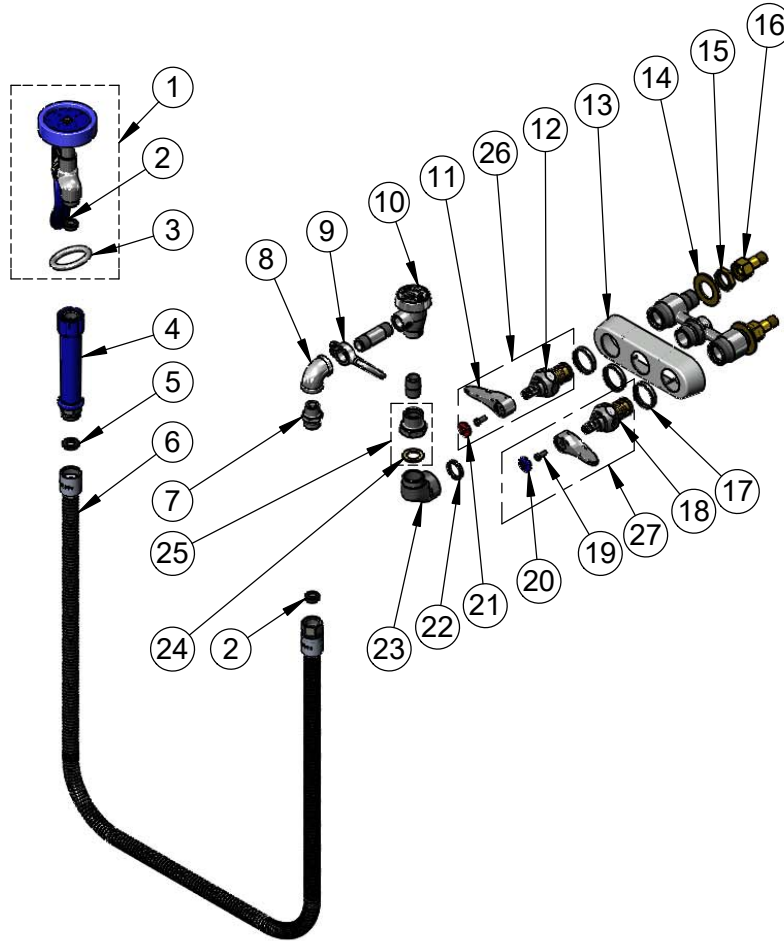
2 Saddleback Cove / P.O. Box 1088  
Travelers Rest, SC 29690

Model No.

**B-1193**

Item No.

Travelers Rest, SC: 800-476-4103 • Simi Valley, CA: 800-423-0150 • Fax: 864-834-3518 • www.tsbrass.com



ITEM NO.	SALES NO.	DESCRIPTION
1	EB-0107	High Flow Spray Valve (Blue)
2	010476-45	#27 Washer
3	000907-45	Spray Valve Hold Down Ring
4	011482-45	Blue Grip Handle
5	001014-45	Washer, B-0100 Hose Barrel
6	B-0072-H2A	72" Flexible Stainless Steel Hose, Less Handle
7	053A	Adapter, 3/8" NPT Male
8	001355-40	Elbow, 3/8 NPT
9	004R	Finger Hook
10	B-0968	3/8" NPT Vacuum Breaker
11	001638-45NS	Lever Handle (New Style)
12	012442-40NS	Quarter-Turn Eterna Cartridge w/ Spring Check, LTC
13	019374-40	B-1110 Eterna Workboard Escutcheon
14	000999-45	Brass Lock Washer
15	002954-45	Shank Lock Nut
16	150A	1/4" NPT Tailpiece & Nut
17	019376-40	Escutcheon Lock Nut
18	012443-40NS	Quarter-Turn Eterna Cartridge w/ Spring Check, RTC
19	000925-45	Lab Handle Screw
20	018506-19NS	Blue Button Index, Press-in
21	001193-19NS	Red Button Index, Press-in
22	001040-45	Washer, 3/4 ID x 15/16 OD x 1/8 thick
23	000082-40	B-1100 Knob
24	001049-45	Washer
25	B-0413	Swivel-to-Rigid Adapter
26	019638-40	Quarter-Turn Eterna Cartridge LTC w/ Spring Check, Handle, Red Index & Screw
27	019639-40	Quarter-Turn Eterna Cartridge RTC w/ Spring Check, Handle, Blue Index & Screw

**Product Specifications:**  
4" Wall Mount Mixing Faucet, Quarter-Turn Eterna Cartridges w/ Spring Checks, Lever Handles, 3/8" NPT Vacuum Breaker w/ Adapter Outlet, High Flow Spray Valve, 72" Flexible Stainless Steel Hose & 1/2" NPT Male Inlets

**Product Compliance:**  
ASME A112.18.1 / CSA B125.1  
NSF 61 - Section 9  
NSF 372 (Low Lead Content)  
EPA Act 2005 Non-Compliant (PRSV)  
ASSE 1001 (VB)