



T&S BRASS AND BRONZE WORKS, INC.

2 Saddleback Cove / P.O. Box 1088
Travelers Rest, SC 29690

Model No.

B-1173

Item No.

Travelers Rest, SC: 800-476-4103 • Simi Valley, CA: 800-423-0150 • Fax: 864-834-3518 • www.tsbrass.com



ADA Compliant

This Space for Architect/Engineer Approval

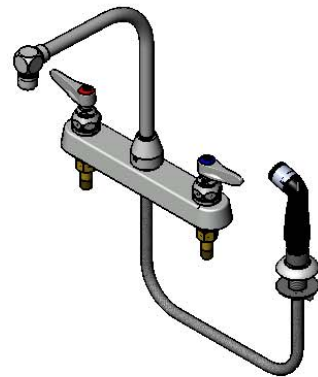
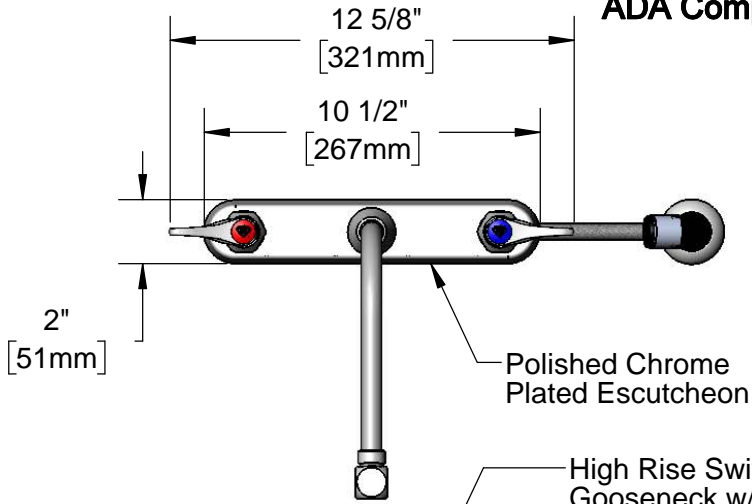
Job Name _____ Date _____

Model Specified _____ Quantity _____

Customer/Wholesaler _____

Contractor _____

Architect/Engineer _____

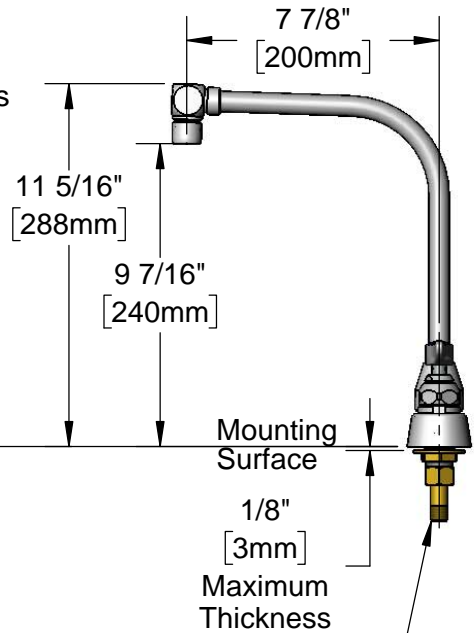


2"
[51mm]

Polished Chrome
Plated Escutcheon

High Rise Swivel
Gooseneck w/
B-0199-01
2.2 GPM Aerator

Quarter-Turn Eterna
Cartridges w/ Spring
Checks & Lever Handles
w/ Color Coded Indexes



360° Swivel
Piece

Sidespray w/
4' Vinyl Hose &
Hose Guide

Hose Guide
w/ Lock Nut

11 5/16"
[288mm]

9 7/16"
[240mm]

Mounting
Surface

1/8"
[3mm]
Maximum
Thickness

(2) 150A
Optional Tailpiece & Nut
For 1/4" NPT Connection
(Included)

3 5/16"
[84mm]

1"
[26mm]

1/2" NPT
Male Inlets

8"
[203mm]

1"
[25mm]

Rough-In Requirement:
Faucet: (3) Ø 1" [25mm] Mounting Holes
Sidespray: (1) Ø 1" [25mm] Mounting Hole

Product Specifications:

8" Deck Mount Workboard Faucet, Quarter-Turn Eterna Cartridges w/ Spring Checks, Lever Handles, High Rise Swivel Gooseneck, 2.2 GPM Aerator, 4' Vinyl Hose Sidespray w/ Hose Guide & 1/2" NPT Male Inlets

Product Compliance:

ASME A112.18.1 / CSA B125.1
NSF 61 - Section 9
NSF 372 (Low Lead Content)
ANSI A117.1 (ADA)



T&S BRASS AND BRONZE WORKS, INC.

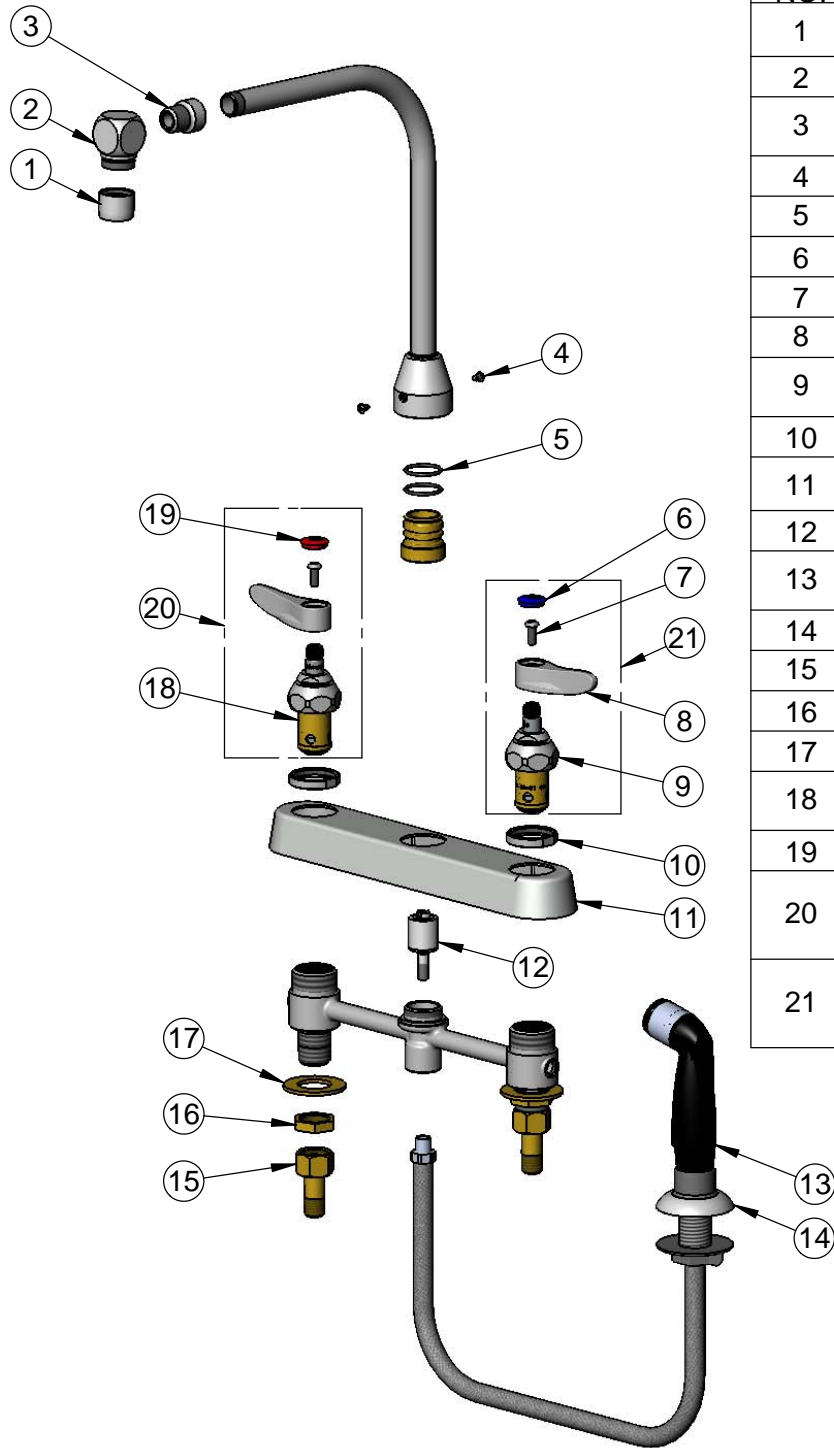
2 Saddleback Cove / P.O. Box 1088
Travelers Rest, SC 29690

Model No.

B-1173

Item No.

Travelers Rest, SC: 800-476-4103 • Simi Valley, CA: 800-423-0150 • Fax: 864-834-3518 • www.tsbrass.com



ITEM NO.	SALES NO.	DESCRIPTION
1	B-0199-01	2.2 GPM Aerator, 55/64"-27 UN Female
2	002823-40	Cube
3	000564-25	Adapter, 3/8" NPT Male x 5/8-27 Female
4	001486-45	Diverter Cover Screw
5	001069-45	O-ring
6	018506-19NS	Blue Button Index, Press-in
7	000925-45	Lab Handle Screw
8	001638-45NS	Lever Handle (New Style)
9	012442-40NS	Quarter-Turn Eterna Cartridge w/ Spring Check, LTC
10	019376-40	Escutcheon Lock Nut
11	019375-40	B-1120 Eterna Workboard Escutcheon
12	002338-45	Valve Diverter Piston
13	001495-45	Sidespray w/ 4' Vinyl Hose & Hose Guide
14	001496-45	Hose Guide
15	150A	1/4" NPT Tailpiece & Nut
16	002954-45	Shank Lock Nut
17	000999-45	Brass Lock Washer
18	012443-40NS	Quarter-Turn Eterna Cartridge w/ Spring Check, RTC
19	001193-19NS	Red Button Index, Press-in
20	002712-40NS	Quarter-Turn Eterna Cartridge w/ Spring Check, Handle, Red Index & Screw, RTC
21	002711-40NS	Quarter-Turn Eterna Cartridge w/ Spring Check, Handle, Blue Index & Screw, LTC

Product Specifications:

8" Deck Mount Workboard Faucet, Quarter-Turn Eterna Cartridges w/ Spring Checks, Lever Handles, High Rise Swivel Gooseneck, 2.2 GPM Aerator, 4' Vinyl Hose Sidespray w/ Hose Guide & 1/2" NPT Male Inlets

Product Compliance:

ASME A112.18.1 / CSA B125.1
NSF 61 - Section 9
NSF 372 (Low Lead Content)
ANSI A117.1 (ADA)