



T&S BRASS AND BRONZE WORKS, INC.

2 Saddleback Cove / P.O. Box 1088
Travelers Rest, SC 29690

Model No.

B-1172-01

Item No.

Travelers Rest, SC: 800-476-4103 • Simi Valley, CA: 800-423-0150 • Fax: 864-834-3518 • www.tsbrass.com

This Space for Architect/Engineer Approval

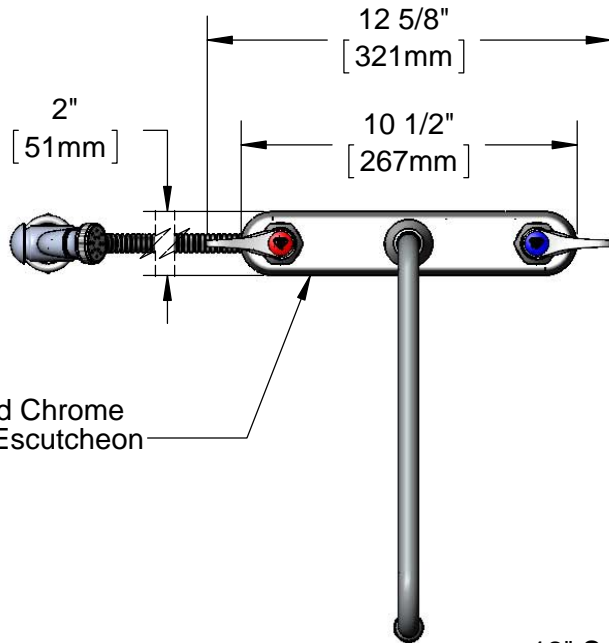
Job Name _____ Date _____

Model Specified _____ Quantity _____

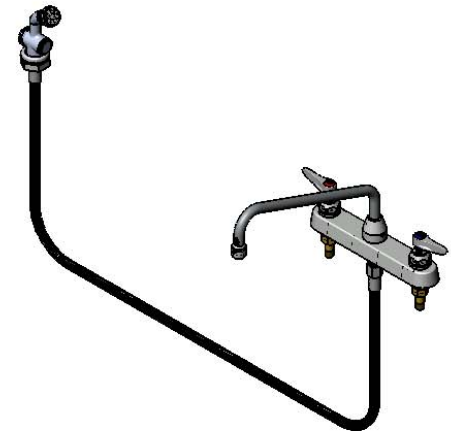
Customer/Wholesaler _____

Contractor _____

Architect/Engineer _____



Polished Chrome Plated Escutcheon



Quarter-Turn Eterna Cartridges w/ Spring Checks & Lever Handles w/ Color Coded Indexes

12" Swing Nozzle w/ B-0199-01 2.2 GPM Aerator

3 5/16" [84mm]
Spray Valve

B-KF Deck Flange

Rough-In Requirement:

Faucet: (3) ϕ 1" [25mm] Mounting Holes

Deck Flange: (1) ϕ 1 9/16" [40mm] Mounting Hole

Product Specifications:

8" Deck Mount Workboard Mixing Faucet, Quarter-Turn Eterna Cartridges w/ Spring Checks, Lever Handles, 12" Swing Nozzle, 2.2 GPM Aerator, 96" Flexible Stainless Steel Hose, Spray Valve, Deck Flange & 1/2" NPT Male Inlets

Drawn: DMH

Checked: JRM

Approved: JHB

Date: 06/01/16

Scale: 1:6

Sheet: 1 of 2

1" [26mm]

1" [25mm]

1/2" NPT Male Inlets

96" Flexible Stainless Steel Hose

8" [203mm]

360° Swivel Piece

Mounting Surface

1" [25mm]

1/8" [3mm] Maximum Thickness

(2) 150A Optional Tailpieces & Nuts for 1/4" NPT Connection (Included)

8 13/16" [225mm]

5 11/16" [145mm]

12" [305mm]

12" Swing Nozzle w/ B-0199-01 2.2 GPM Aerator

12 5/8" [321mm]

10 1/2" [267mm]

2" [51mm]

Polished Chrome Plated Escutcheon

Quarter-Turn Eterna Cartridges w/ Spring Checks & Lever Handles w/ Color Coded Indexes

12" Swing Nozzle w/ B-0199-01 2.2 GPM Aerator

3 5/16" [84mm] Spray Valve

B-KF Deck Flange

Rough-In Requirement:

Faucet: (3) ϕ 1" [25mm] Mounting Holes

Deck Flange: (1) ϕ 1 9/16" [40mm] Mounting Hole

Product Specifications:

8" Deck Mount Workboard Mixing Faucet, Quarter-Turn Eterna Cartridges w/ Spring Checks, Lever Handles, 12" Swing Nozzle, 2.2 GPM Aerator, 96" Flexible Stainless Steel Hose, Spray Valve, Deck Flange & 1/2" NPT Male Inlets

Product Compliance:

ASME A112.18.1 / CSA B125.1
NSF 61 - Section 9
NSF 372 (Low Lead Content)

Drawn: DMH

Checked: JRM

Approved: JHB

Date: 06/01/16

Scale: 1:6

Sheet: 1 of 2



T&S BRASS AND BRONZE WORKS, INC.

2 Saddleback Cove / P.O. Box 1088
Travelers Rest, SC 29690

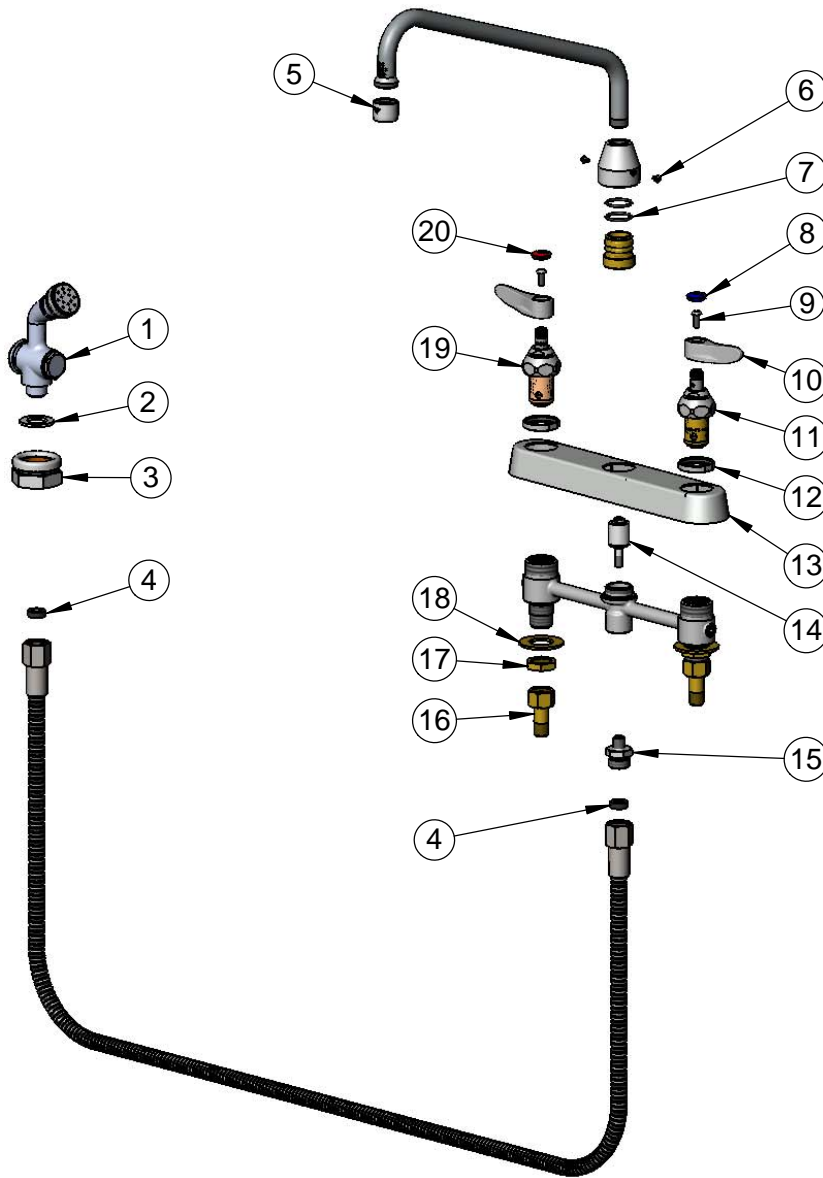
Model No.

B-1172-01

Item No.

Travelers Rest, SC: 800-476-4103 • Simi Valley, CA: 800-423-0150 • Fax: 864-834-3518 • www.tsbrass.com

ITEM NO.	SALES NO.	DESCRIPTION
1	002857-40	Spray Valve Assembly
2	001010-40	Washer, Stainless Steel
3	B-KF	Protective Flange
4	010476-45	#27 Washer
5	B-0199-01	2.2 GPM Aerator, 55/64"-27 UN Female
6	001486-45	Diverter Cover Screw
7	001069-45	O-ring
8	019363-45	Blue Button Index, Press-in
9	000925-45	Lab Handle Screw
10	019361-45	Lever Handle (New Style)
11	019382-40	Quarter-Turn New Style Eterna Cartridge w/ Spring Check, LTC
12	019376-40	Escutcheon Lock Nut
13	019375-40	B-1120 Eterna Workboard Escutcheon
14	002338-45	Valve Diverter Piston
15	000542-25	1/8" NPT x 3/4-14 Male Adapter
16	150A	1/4" NPT Tailpiece & Nut
17	002954-45	Shank Lock Nut
18	000999-45	Brass Lock Washer
19	019383-40	Quarter-Turn New Style Eterna Cartridge w/ Spring Check, RTC
20	019364-45	Red Button Index, Press-in
21	013E-48H	48" Flexible Stainless Steel Hose



Product Specifications:

8" Deck Mount Workboard Mixing Faucet, Quarter-Turn Eterna Cartridges w/ Spring Checks, Lever Handles, 12" Swing Nozzle, 2.2 GPM Aerator, 96" Flexible Stainless Steel Hose, Spray Valve, Deck Flange & 1/2" NPT Male Inlets

Product Compliance:

ASME A112.18.1 / CSA B125.1
NSF 61 - Section 9
NSF 372 (Low Lead Content)