



**T&S BRASS AND BRONZE WORKS, INC.**  
 2 Saddleback Cove / P.O. Box 1088  
 Travelers Rest, SC 29690

Model No.  
**B-1141-2-V12-CR**

Item No.

Travelers Rest, SC: 800-476-4103 • Simi Valley, CA: 800-423-0150 • Fax: 864-834-3518 • www.tsbrass.com



**ADA Compliant**

This Space for Architect/Engineer Approval

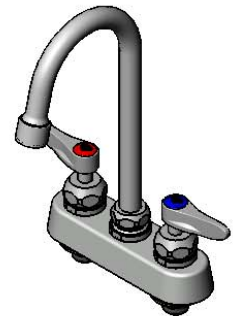
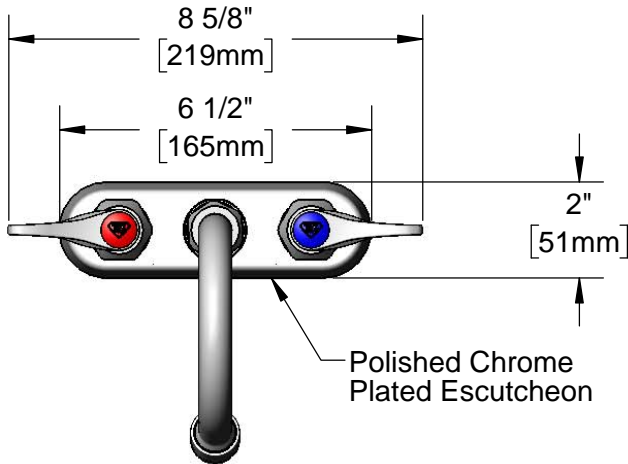
Job Name \_\_\_\_\_ Date \_\_\_\_\_

Model Specified \_\_\_\_\_ Quantity \_\_\_\_\_

Customer/Wholesaler \_\_\_\_\_

Contractor \_\_\_\_\_

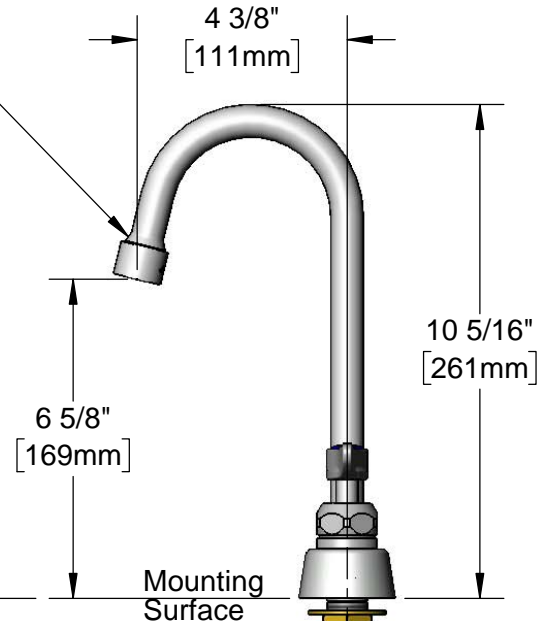
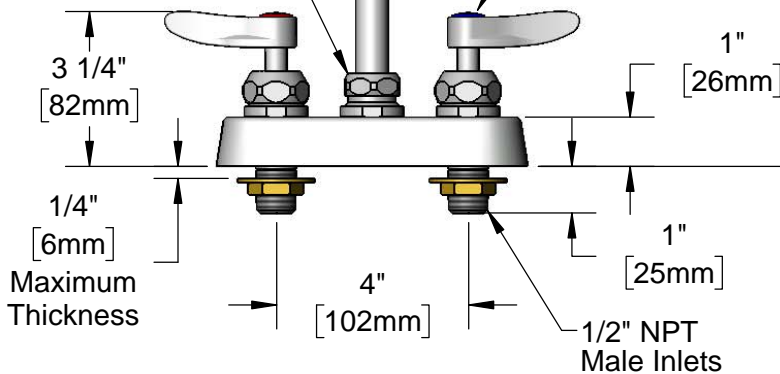
Architect/Engineer \_\_\_\_\_



Swivel Joint  
 Converts to Rigid  
 w/ 014200-45  
 Lock Washer  
 (Included)

Swivel Gooseneck w/  
 B-0199-06-F12  
 VR 1.2 GPM Aerator

Quarter-Turn Cerama  
 Cartridges w/ Check  
 Valves & Lever Handles  
 w/ Color Coded Indexes



(2) 150A  
 Optional Tailpieces &  
 Nuts for 1/4" NPT  
 Connection (Included)

Rough-In Requirement:  
 (2)  $\varnothing$  1" [25mm] Mounting Holes

Product Specifications:  
 4" Deck Mount Workboard Faucet, Quarter-Turn Cerama Cartridges w/ Check Valves, Lever Handles, 4 3/8" Swivel Gooseneck, VR 1.2 GPM Aerator & 1/2" NPT Male Inlets

Product Compliance:  
 ASME A112.18.1 / CSA B125.1  
 NSF 61 - Section 9  
 NSF 372 (Low Lead Content)  
 ANSI A117.1 (ADA)



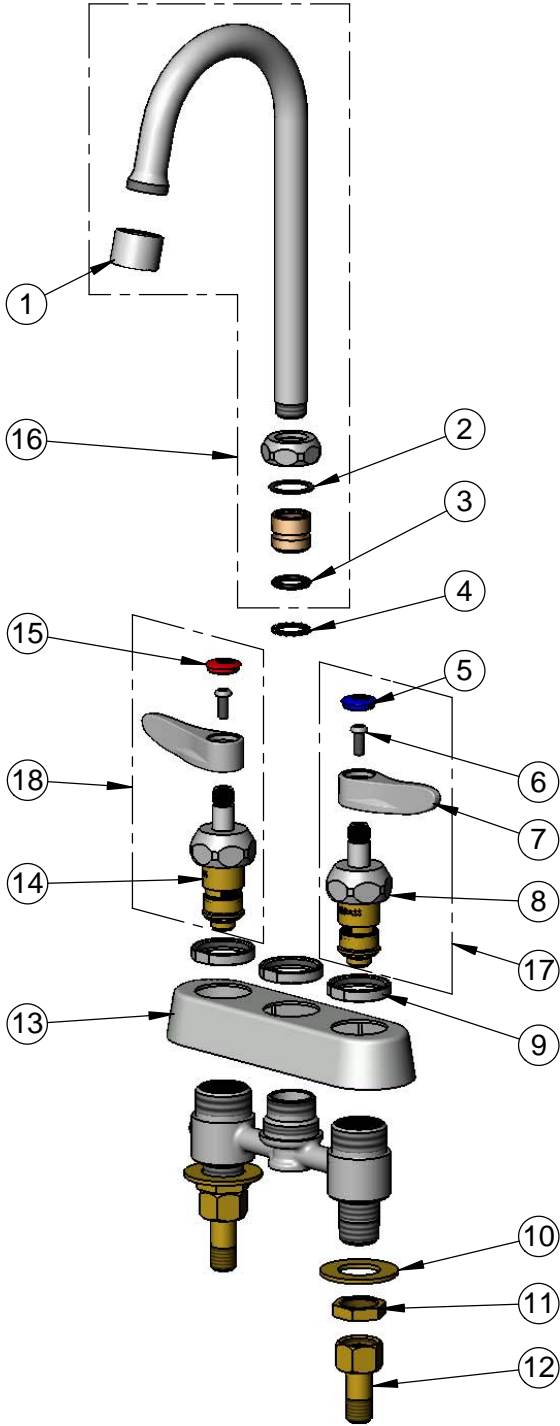
**T&S BRASS AND BRONZE WORKS, INC.**  
 2 Saddleback Cove / P.O. Box 1088  
 Travelers Rest, SC 29690

Model No.  
**B-1141-2-V12-CR**

Item No.

Travelers Rest, SC: 800-476-4103 • Simi Valley, CA: 800-423-0150 • Fax: 864-834-3518 • www.tsbrass.com

ITEM NO.	SALES NO.	DESCRIPTION
1	B-0199-06-F12	VR 1.2 GPM Aerator, 55/64-27 Female w/ Key
2	001023-45	Swivel Binding Washer
3	001074-45	O-Ring
4	014200-45	Star Washer, Anti-Rotation
5	018506-19NS	Blue Button Index, Press-in
6	000925-45	Lab Handle Screw
7	001638-45NS	Lever Handle (New Style)
8	012395-25NS	Quarter-Turn New Style Cerama Cartridge w/ Check Valve, LTC
9	019376-40	Escutcheon Lock Nut
10	000999-45	Brass Lock Washer
11	002954-45	Shank Lock Nut
12	150A	1/4" NPT Tailpiece & Nut
13	019374-40	B-1110 Eterna Workboard Escutcheon
14	012394-25NS	Quarter-Turn New Style Cerama Cartridge w/ Check Valve, RTC
15	001193-19NS	Red Button Index, Press-in
16	019606-40	Swivel Gooseneck w/ VR 1.2 GPM Aerator
17	012447-25NS	Quarter-Turn Cerama Cartridge w/ Check Valve, Handle, Blue Index & Screw, LTC
18	012446-25NS	Quarter-Turn Cerama Cartridge w/ Check Valve, Handle, Red Index & Screw, RTC



015425-45  
 Vandal Resistant Key

Product Specifications:  
 4" Deck Mount Workboard Faucet, Quarter-Turn Cerama Cartridges w/ Check Valves, Lever Handles, 4 3/8" Swivel Gooseneck, VR 1.2 GPM Aerator & 1/2" NPT Male Inlets

Product Compliance:  
 ASME A112.18.1 / CSA B125.1  
 NSF 61 - Section 9  
 NSF 372 (Low Lead Content)  
 ANSI A117.1 (ADA)