



**T&S BRASS AND BRONZE WORKS, INC.**  
 2 Saddleback Cove / P.O. Box 1088  
 Travelers Rest, SC 29690

Model No.  
**B-1141-04-CR**

Item No.

Travelers Rest, SC: 800-476-4103 • Simi Valley, CA: 800-423-0150 • Fax: 864-834-3518 • www.tsbrass.com



**ADA Compliant**

This Space for Architect/Engineer Approval

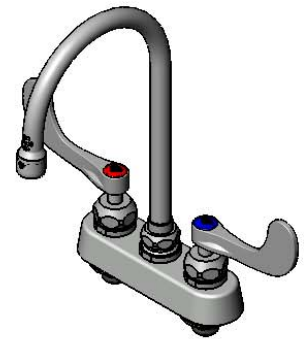
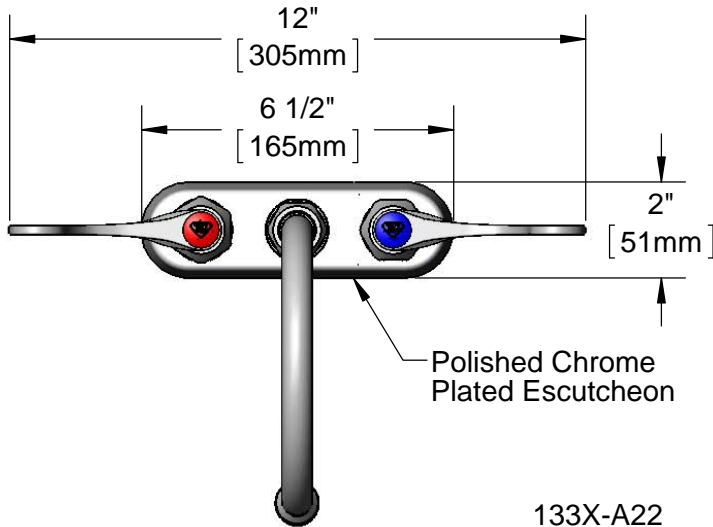
Job Name \_\_\_\_\_ Date \_\_\_\_\_

Model Specified \_\_\_\_\_ Quantity \_\_\_\_\_

Customer/Wholesaler \_\_\_\_\_

Contractor \_\_\_\_\_

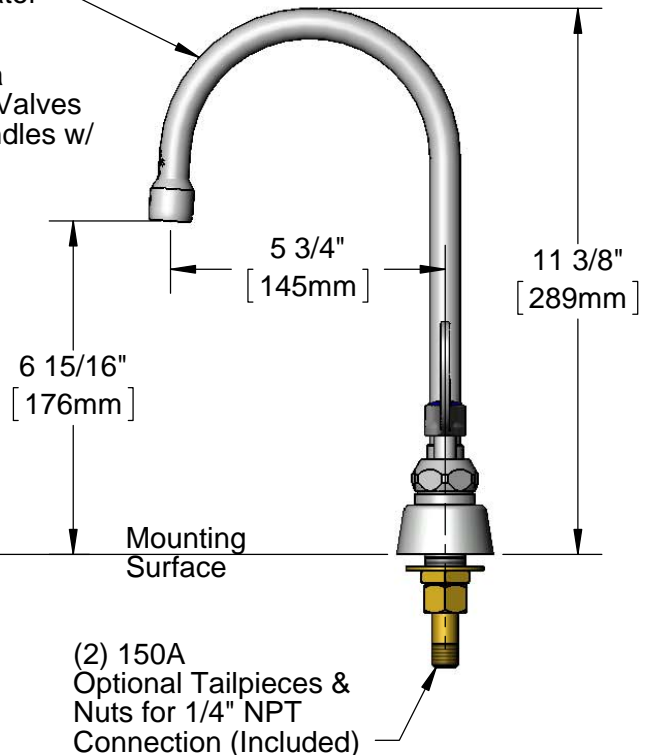
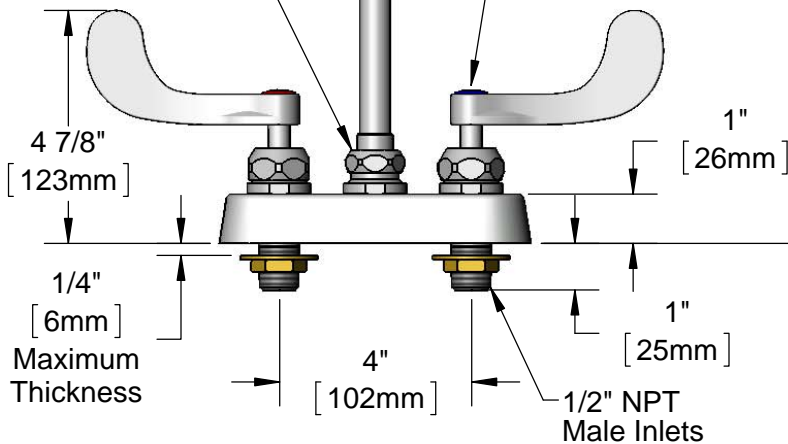
Architect/Engineer \_\_\_\_\_



133X-A22  
 6" Swivel Gooseneck  
 w/ 2.2 GPM Aerator

Swivel Joint  
 Converts to Rigid  
 w/ 014200-45  
 Lock Washer  
 (Included)

Quarter-Turn Cerama  
 Cartridges w/ Check Valves  
 & 4" Wrist Action Handles w/  
 Color Coded Indexes



Rough-In Requirement:  
 (2)  $\varnothing$  1" [25mm] Mounting Holes

Product Specifications:  
 4" Deck Mount Workboard Faucet, Quarter-Turn Cerama Cartridges w/ Check Valves, 4" Wrist Action Handles, 6" Swivel Gooseneck, 2.2 GPM Aerator & 1/2" NPT Male Inlets

Product Compliance:  
 ASME A112.18.1 / CSA B125.1  
 NSF 61 - Section 9  
 NSF 372 (Low Lead Content)  
 ANSI A117.1 (ADA)



# T&S BRASS AND BRONZE WORKS, INC.

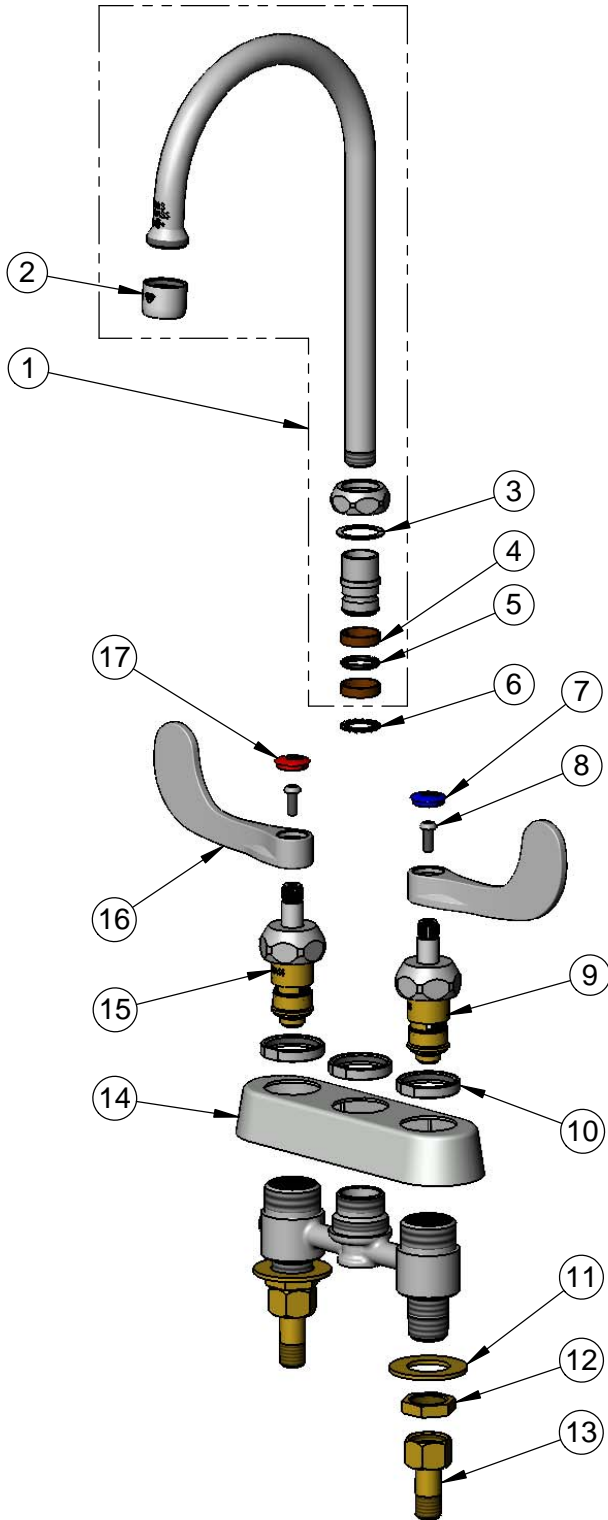
2 Saddleback Cove / P.O. Box 1088  
Travelers Rest, SC 29690

Model No.

**B-1141-04-CR**

Item No.

Travelers Rest, SC: 800-476-4103 • Simi Valley, CA: 800-423-0150 • Fax: 864-834-3518 • www.tsbrass.com



ITEM NO.	SALES NO.	DESCRIPTION
1	133X-A22	6" Swivel Gooseneck w/ 2.2 GPM Aerator
2	B-0199-01	2.2 GPM Aerator, 55/64"-27 UN Female
3	009538-45	Swivel Washer
4	011429-45	Swivel Sleeves (2)
5	001074-45	O-Ring
6	014200-45	Star Washer, Anti-Rotation
7	019363-45	Blue Button Index, Press-in
8	000925-45	Lab Handle Screw
9	019385-40	Quarter-Turn New Style Cerama Cartridge w/ Check Valve, LTC
10	019376-40	Escutcheon Lock Nut
11	000999-45	Brass Lock Washer
12	002954-45	Shank Lock Nut
13	150A	1/4" NPT Tailpiece & Nut
14	019374-40	B-1110 Eterna Workboard Escutcheon
15	019384-40	Quarter-Turn New Style Cerama Cartridge w/ Check Valve, RTC
16	019362-45	Wrist Action Handle (New Style)
17	019364-45	Red Button Index, Press-in

**Product Specifications:**

4" Deck Mount Workboard Faucet, Quarter-Turn Cerama Cartridges w/ Check Valves, 4" Wrist Action Handles, 6" Swivel Gooseneck, 2.2 GPM Aerator & 1/2" NPT Male Inlets

**Product Compliance:**

ASME A112.18.1 / CSA B125.1  
NSF 61 - Section 9  
NSF 372 (Low Lead Content)  
ANSI A117.1 (ADA)