



# T&S BRASS AND BRONZE WORKS, INC.

2 Saddleback Cove / P.O. Box 1088  
Travelers Rest, SC 29690

Model No.

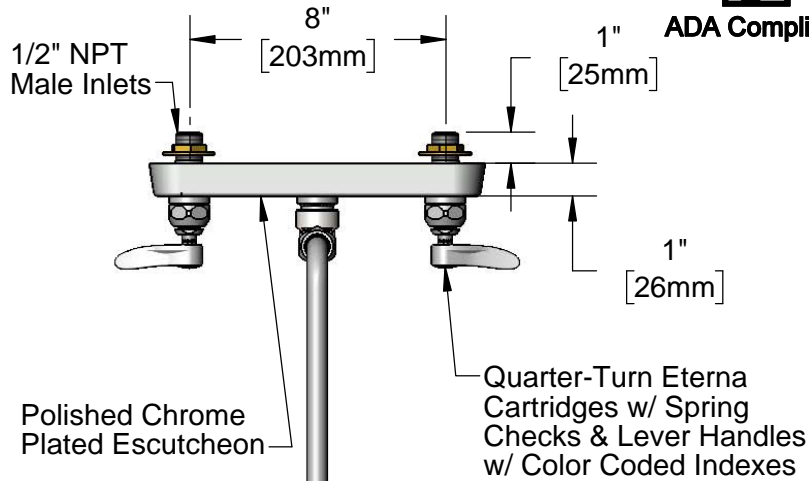
**B-1137**

Item No.

Travelers Rest, SC: 800-476-4103 • Simi Valley, CA: 800-423-0150 • Fax: 864-834-3518 • www.tsbrass.com



**ADA Compliant**



This Space for Architect/Engineer Approval

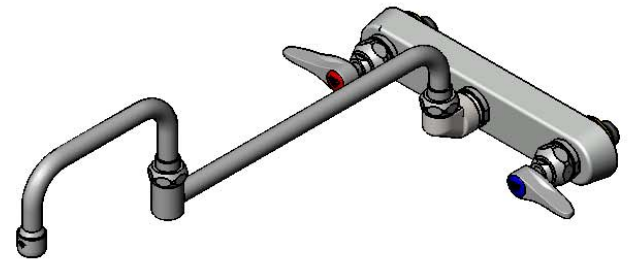
Job Name \_\_\_\_\_ Date \_\_\_\_\_

Model Specified \_\_\_\_\_ Quantity \_\_\_\_\_

Customer/Wholesaler \_\_\_\_\_

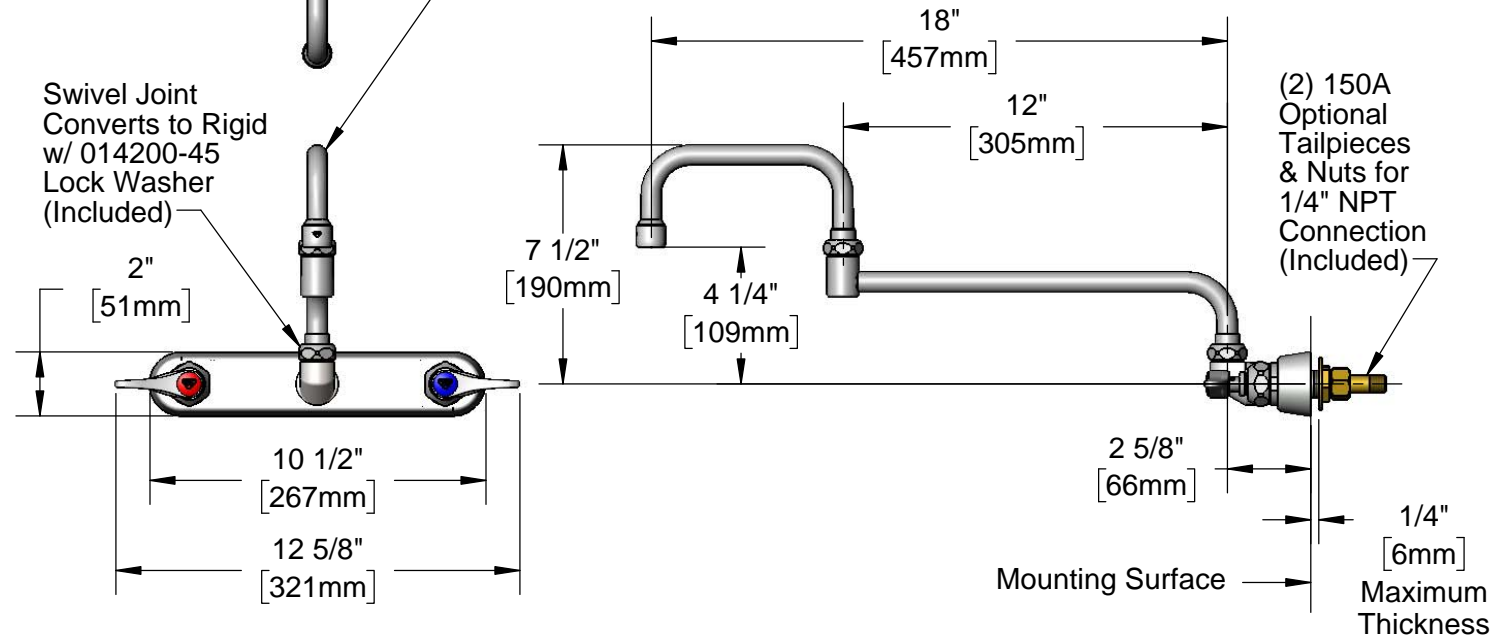
Contractor \_\_\_\_\_

Architect/Engineer \_\_\_\_\_



068X-A22  
18" Double Joint Swing  
Nozzle w/ 2.2 GPM Aerator

Swivel Joint  
Converts to Rigid  
w/ 014200-45  
Lock Washer  
(Included)



**Rough-In Requirement:**  
(2)  $\varnothing$  1" [25mm] Mounting Holes

**Product Specifications:**

8" Wall Mount Workboard Faucet, Quarter-Turn Eterna Cartridges w/ Spring Checks, Lever Handles, 18" Double Joint Swing Nozzle, 2.2 GPM Aerator & 1/2" NPT Male Inlets

**Product Compliance:**

ASME A112.18.1 / CSA B125.1  
NSF 61 - Section 9  
NSF 372 (Low Lead Content)  
ANSI A117.1 (ADA)



# T&S BRASS AND BRONZE WORKS, INC.

2 Saddleback Cove / P.O. Box 1088  
Travelers Rest, SC 29690

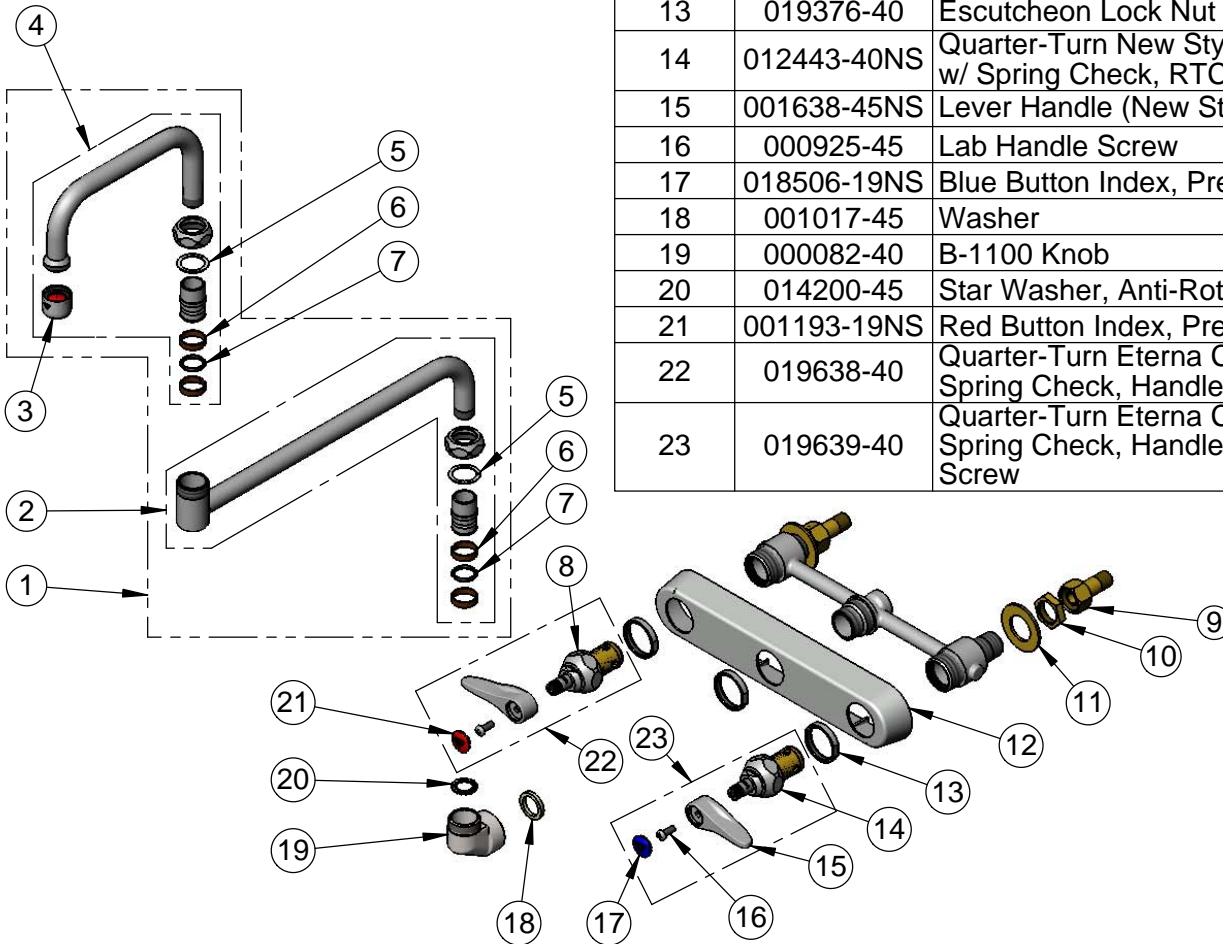
Model No.

**B-1137**

Item No.

Travelers Rest, SC: 800-476-4103 • Simi Valley, CA: 800-423-0150 • Fax: 864-834-3518 • www.tsbrass.com

ITEM NO.	SALES NO.	DESCRIPTION
1	068X-A22	18" Double Joint Swing Nozzle w/ 2.2 GPM Aerator
2	002871-40	12" Back Section (New Style)
3	B-0199-01	2.2 GPM Aerator, 55/64"-27 UN Female
4	153X-A22	6" Front Section w/ 2.2 GPM Aerator
5	009538-45	Swivel Washer
6	011429-45	Swivel Sleeves (2)
7	001074-45	O-Ring
8	012442-40NS	Quarter-Turn New Style Eterna Cartridge w/ Spring Check, LTC
9	150A	1/4" NPT Tailpiece & Nut
10	002954-45	Shank Lock Nut
11	000999-45	Brass Lock Washer
12	019375-40	B-1120 Eterna Workboard Escutcheon
13	019376-40	Escutcheon Lock Nut
14	012443-40NS	Quarter-Turn New Style Eterna Cartridge w/ Spring Check, RTC
15	001638-45NS	Lever Handle (New Style)
16	000925-45	Lab Handle Screw
17	018506-19NS	Blue Button Index, Press-in
18	001017-45	Washer
19	000082-40	B-1100 Knob
20	014200-45	Star Washer, Anti-Rotation
21	001193-19NS	Red Button Index, Press-in
22	019638-40	Quarter-Turn Eterna Cartridge, LTC w/ Spring Check, Handle, Red Index & Screw
23	019639-40	Quarter-Turn Eterna Cartridge, RTC w/ Spring Check, Handle, Blue Index & Screw



**Product Specifications:**

8" Wall Mount Workboard Faucet, Quarter-Turn Eterna Cartridges w/ Spring Checks, Lever Handles, 18" Double Joint Swing Nozzle, 2.2 GPM Aerator & 1/2" NPT Male Inlets

**Product Compliance:**

ASME A112.18.1 / CSA B125.1  
NSF 61 - Section 9  
NSF 372 (Low Lead Content)  
ANSI A117.1 (ADA)