



# T&S BRASS AND BRONZE WORKS, INC.

2 Saddleback Cove / P.O. Box 1088  
Travelers Rest, SC 29690

Model No.

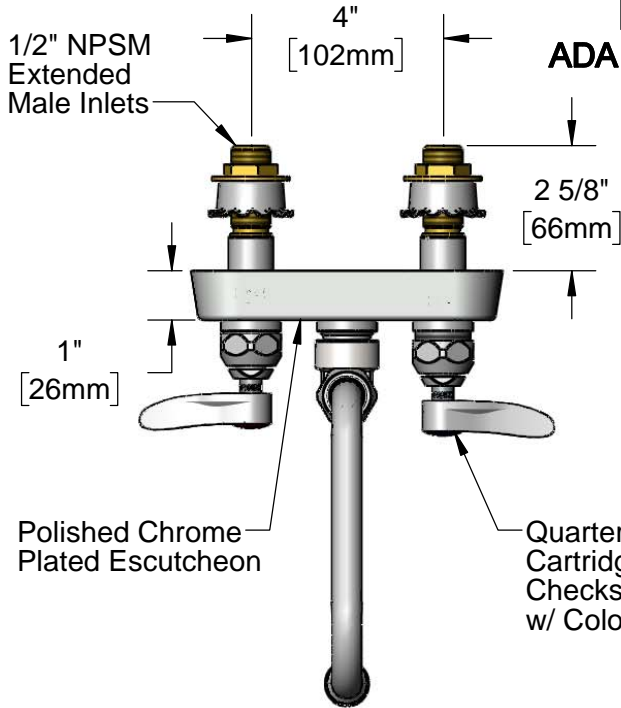
**B-1115-XS-F12**

Item No.

Travelers Rest, SC: 800-476-4103 • Simi Valley, CA: 800-423-0150 • Fax: 864-834-3518 • www.tsbrass.com



**ADA Compliant**



This Space for Architect/Engineer Approval

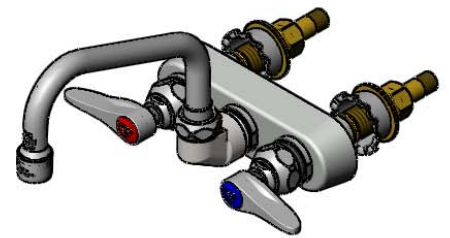
Job Name \_\_\_\_\_ Date \_\_\_\_\_

Model Specified \_\_\_\_\_ Quantity \_\_\_\_\_

Customer/Wholesaler \_\_\_\_\_

Contractor \_\_\_\_\_

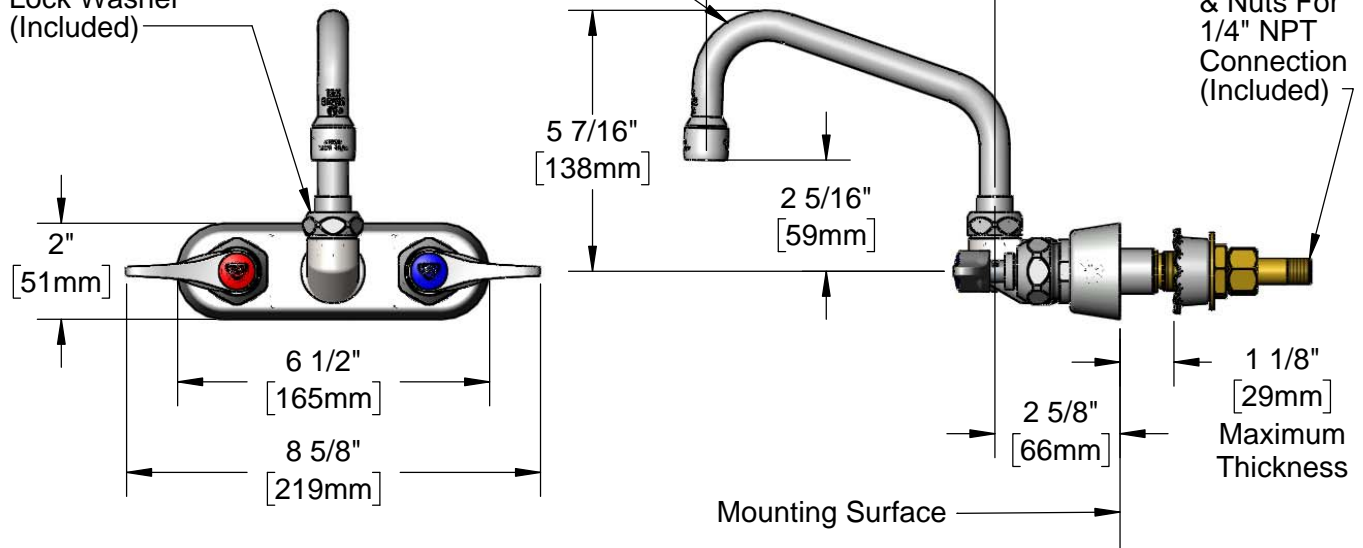
Architect/Engineer \_\_\_\_\_



Swivel Joint Converts to Rigid w/ 014200-45 Lock Washer (Included)

059X-A12 6" Swing Nozzle w/ 1.2 GPM Aerator

(2)150A Optional Tailpieces & Nuts For 1/4" NPT Connection (Included)



**Rough-In Requirement:**  
(2)  $\phi$  1" [25mm] Mounting Holes

**Product Specifications:**

4" Wall Mount Workboard Faucet, Quarter-Turn Eterna Cartridges w/ Spring Checks, Lever Handles, 6" Swing Nozzle, 1.2 GPM Aerator & 1/2" NPSM Extended Male Inlets

**Product Compliance:**

ASME A112.18.1 / CSA B125.1  
NSF 61 - Section 9  
NSF 372 (Low Lead Content)  
ANSI A117.1 (ADA)  
EPA WaterSense



# T&S BRASS AND BRONZE WORKS, INC.

2 Saddleback Cove / P.O. Box 1088  
Travelers Rest, SC 29690

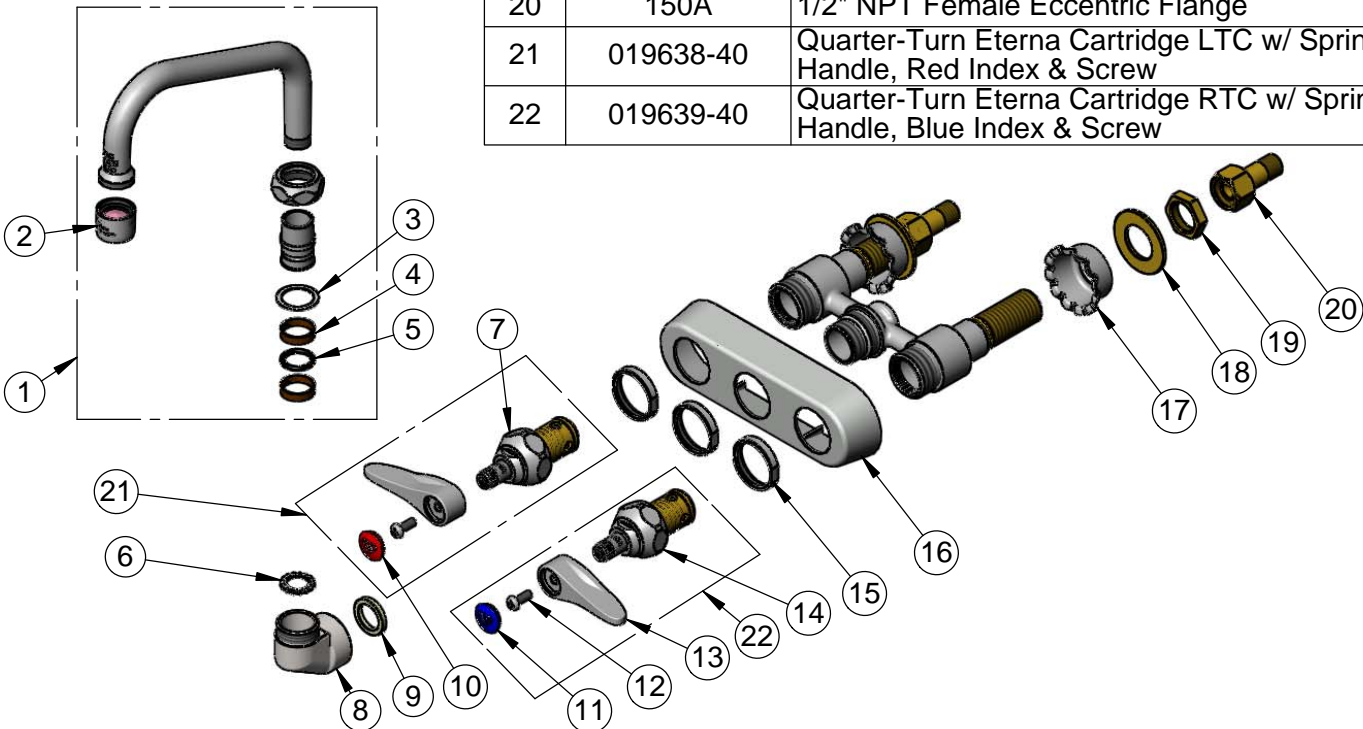
Model No.

**B-1115-XS-F12**

Item No.

Travelers Rest, SC: 800-476-4103 • Simi Valley, CA: 800-423-0150 • Fax: 864-834-3518 • www.tsbrass.com

ITEM NO.	SALES NO.	DESCRIPTION
1	059X-A12	6" Swing Nozzle w/ 1.2 GPM Aerator
2	B-0199-01-F12	1.2 GPM Aerator, 55/64-27 UN Female
3	009538-45	Swivel Washer
4	011429-45	Swivel Sleeves (2)
5	001074-45	O-Ring
6	014200-45	Star Washer, Anti-Rotation
7	012442-40NS	Quarter-Turn Eterna Cartridge w/ Spring Check, LTC
8	000082-40	B-1100 Knob
9	001017-45	Washer
10	001193-19NS	Red Button Index, Press-in
11	018506-19NS	Blue Button Index, Press-in
12	000925-45	Lab Handle Screw
13	001638-45NS	Lever Handle (New Style)
14	012443-40NS	Quarter-Turn Eterna Cartridge w/ Spring Check, RTC
15	019376-40	Escutcheon Lock Nut
16	019374-40	B-1110 Eterna Workboard Escutcheon
17	001000-45	Rosette Washer
18	000999-45	Brass Lock Washer
19	002954-45	Shank Lock Nut
20	150A	1/2" NPT Female Eccentric Flange
21	019638-40	Quarter-Turn Eterna Cartridge LTC w/ Spring Check, Handle, Red Index & Screw
22	019639-40	Quarter-Turn Eterna Cartridge RTC w/ Spring Check, Handle, Blue Index & Screw



**Product Specifications:**

4" Wall Mount Workboard Faucet, Quarter-Turn Eterna Cartridges w/ Spring Checks, Lever Handles, 6" Swing Nozzle, 1.2 GPM Aerator & 1/2" NPSM Extended Male Inlets

**Product Compliance:**

ASME A112.18.1 / CSA B125.1  
NSF 61 - Section 9  
NSF 372 (Low Lead Content)  
ANSI A117.1 (ADA)  
EPA WaterSense