



# T&S BRASS AND BRONZE WORKS, INC.

2 Saddleback Cove / P.O. Box 1088  
Travelers Rest, SC 29690

Model No.

**B-1115-CR**

Item No.

Travelers Rest, SC: 800-476-4103 • Simi Valley, CA: 800-423-0150 • Fax: 864-834-3518 • www.tsbrass.com



**ADA Compliant**

This Space for Architect/Engineer Approval

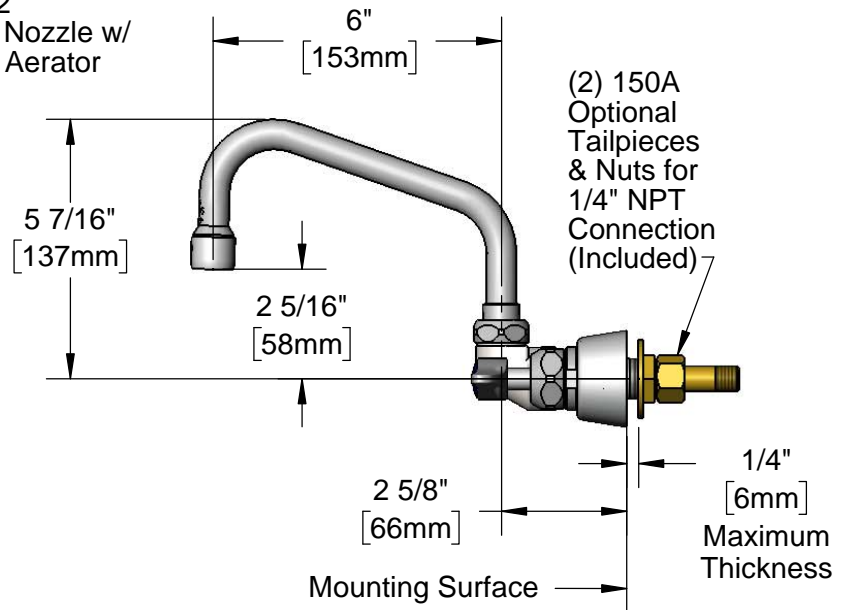
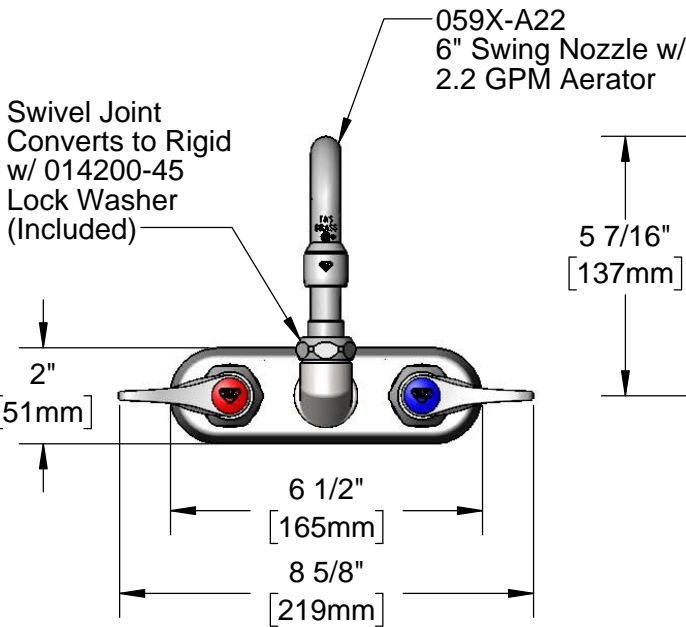
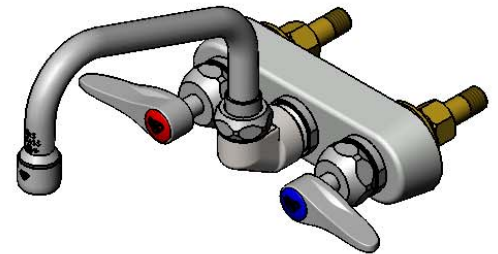
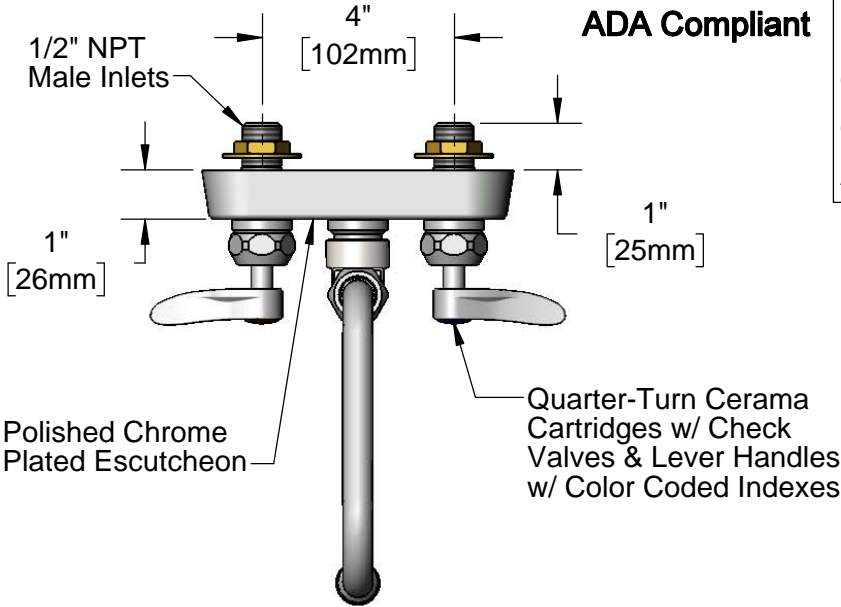
Job Name \_\_\_\_\_ Date \_\_\_\_\_

Model Specified \_\_\_\_\_ Quantity \_\_\_\_\_

Customer/Wholesaler \_\_\_\_\_

Contractor \_\_\_\_\_

Architect/Engineer \_\_\_\_\_



**Rough-In Requirement:**  
(2)  $\varnothing$  1" [25mm] Mounting Holes

**Product Specifications:**  
4" Wall Mount Workboard Faucet, Quarter-Turn Cerama Cartridges w/ Check Valves, Lever Handles, 6" Swing Nozzle, 2.2 GPM Aerator & 1/2" NPT Male Inlets

**Product Compliance:**  
ASME A112.18.1 / CSA B125.1  
NSF 61 - Section 9  
NSF 372 (Low Lead Content)  
ANSI A117.1 (ADA)



# T&S BRASS AND BRONZE WORKS, INC.

2 Saddleback Cove / P.O. Box 1088  
Travelers Rest, SC 29690

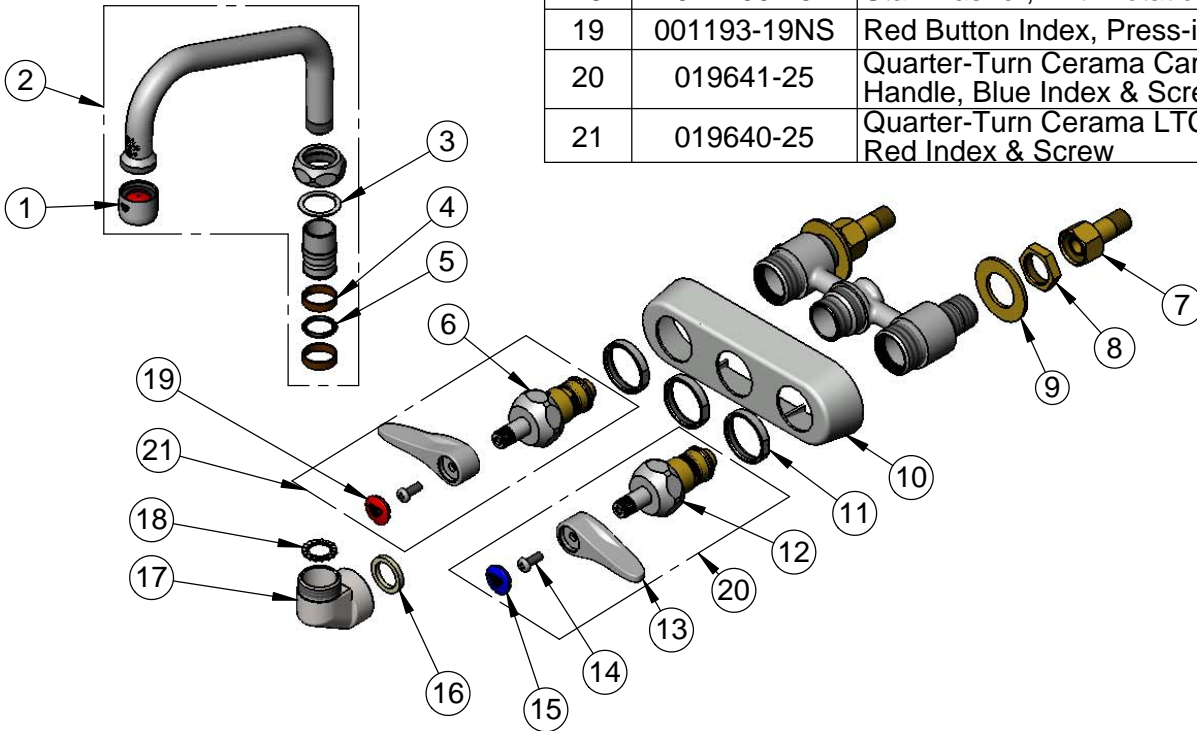
Model No.

**B-1115-CR**

Item No.

Travelers Rest, SC: 800-476-4103 • Simi Valley, CA: 800-423-0150 • Fax: 864-834-3518 • www.tsbrass.com

| ITEM NO. | SALES NO.   | DESCRIPTION   |
|----------|-------------|---|
| 1        | B-0199-01   | 2.2 GPM Aerator, 55/64"-27 UN Female                                |
| 2        | 059X-A22    | 6" Swing Nozzle w/ 2.2 GPM Aerator                                  |
| 3        | 009538-45   | Swivel Washer   |
| 4        | 011429-45   | Swivel Sleeves (2)  |
| 5        | 001074-45   | O-Ring  |
| 6        | 012395-25NS | Quarter-Turn Cerama Cartridge w/ Check Valve, LTC                   |
| 7        | 150A        | 1/4" NPT Tailpiece & Nut  |
| 8        | 002954-45   | Shank Lock Nut  |
| 9        | 000999-45   | Brass Lock Washer   |
| 10       | 019374-40   | B-1110 Eterna Workboard Escutcheon                                  |
| 11       | 019376-40   | Escutcheon Lock Nut   |
| 12       | 012394-25NS | Quarter-Turn Cerama Cartridge w/ Check Valve, RTC                   |
| 13       | 001638-45NS | Lever Handle (New Style)  |
| 14       | 000925-45   | Lab Handle Screw  |
| 15       | 018506-19NS | Blue Button Index, Press-in   |
| 16       | 001017-45   | Washer  |
| 17       | 000082-40   | B-1100 Knob   |
| 18       | 014200-45   | Star Washer, Anti-Rotation  |
| 19       | 001193-19NS | Red Button Index, Press-in  |
| 20       | 019641-25   | Quarter-Turn Cerama Cartridge RTC w/ CV, Handle, Blue Index & Screw |
| 21       | 019640-25   | Quarter-Turn Cerama LTC w/ CV, Handle, Red Index & Screw            |



**Product Specifications:**

4" Wall Mount Workboard Faucet, Quarter-Turn Cerama Cartridges w/ Check Valves, Lever Handles, 6" Swing Nozzle, 2.2 GPM Aerator & 1/2" NPT Male Inlets

**Product Compliance:**

ASME A112.18.1 / CSA B125.1  
NSF 61 - Section 9  
NSF 372 (Low Lead Content)  
ANSI A117.1 (ADA)