



# T&S BRASS AND BRONZE WORKS, INC.

2 Saddleback Cove / P.O. Box 1088  
Travelers Rest, SC 29690

Model No.

**B-1115-132XN5CR**

Item No.

Travelers Rest, SC: 800-476-4103 • Simi Valley, CA: 800-423-0150 • Fax: 864-834-3518 • www.tsbrass.com



**ADA Compliant**

This Space for Architect/Engineer Approval

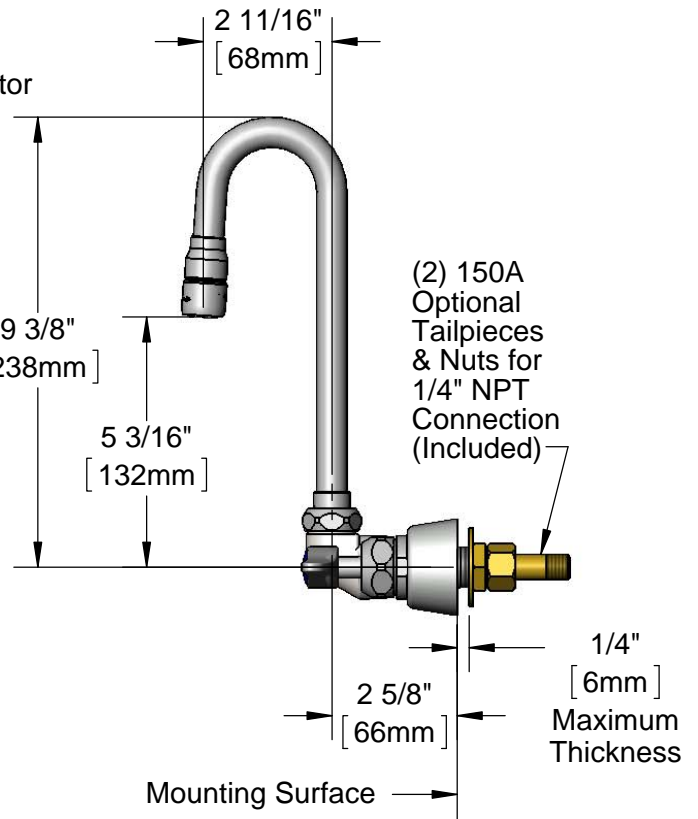
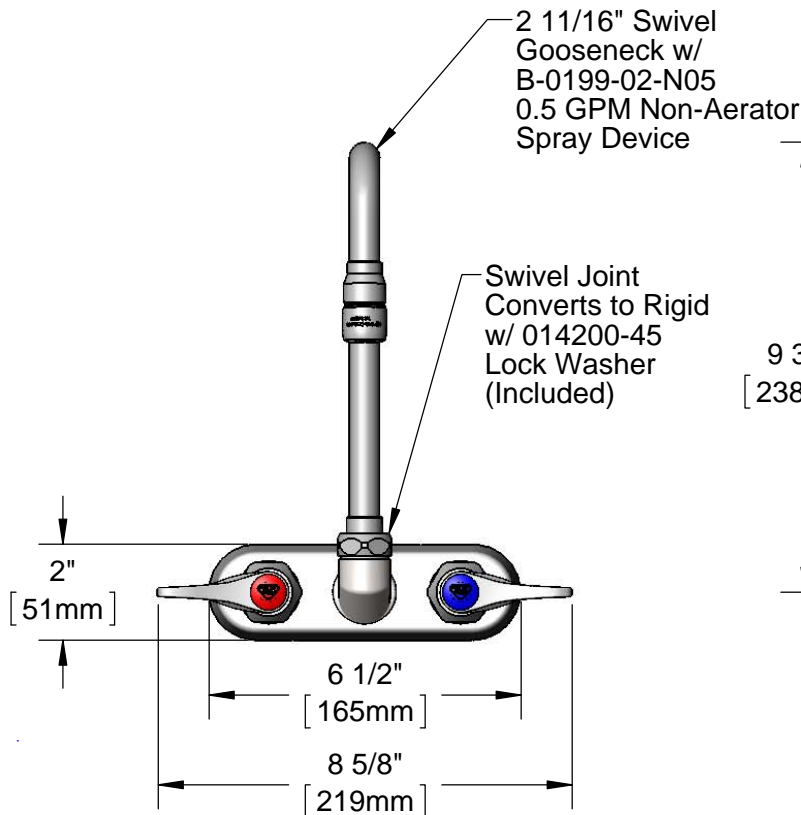
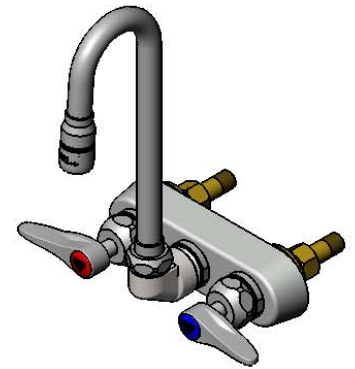
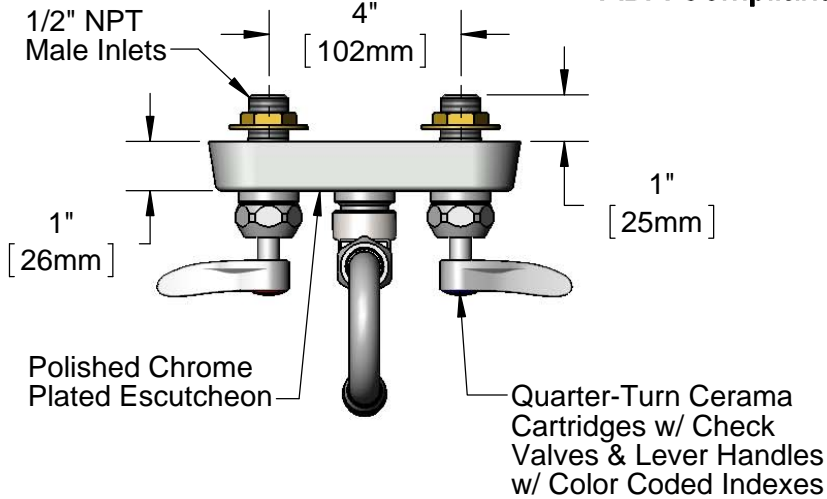
Job Name \_\_\_\_\_ Date \_\_\_\_\_

Model Specified \_\_\_\_\_ Quantity \_\_\_\_\_

Customer/Wholesaler \_\_\_\_\_

Contractor \_\_\_\_\_

Architect/Engineer \_\_\_\_\_



**Rough-In Requirement:**  
(2)  $\phi$  1" [25mm] Mounting Holes

**Product Specifications:**  
4" Wall Mount Workboard Faucet, Quarter-Turn Cerama Cartridges w/ Check Valves, Lever Handles, 2 11/16" Swivel Gooseneck, 0.5 GPM Non-Aerated Spray Device & 1/2" NPT Male Inlets

**Product Compliance:**  
ASME A112.18.1 / CSA B125.1  
NSF 61 - Section 9  
NSF 372 (Low Lead Content)  
ANSI A117.1 (ADA)



# T&S BRASS AND BRONZE WORKS, INC.

2 Saddleback Cove / P.O. Box 1088  
Travelers Rest, SC 29690

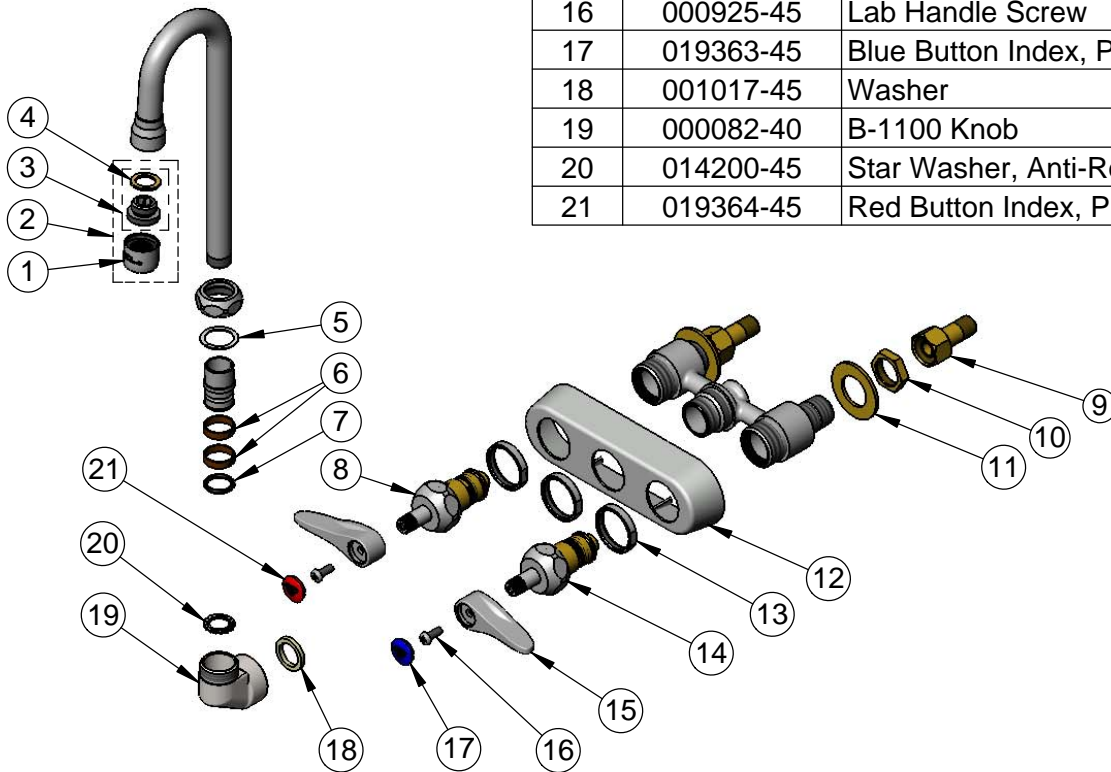
Model No.

**B-1115-132XN5CR**

Item No.

Travelers Rest, SC: 800-476-4103 • Simi Valley, CA: 800-423-0150 • Fax: 864-834-3518 • www.tsbrass.com

ITEM NO.	SALES NO.	DESCRIPTION
1	B-0199-01-N05	0.5 GPM Non-Aerated Spray Device, 55/64-27 Female
2	B-0199-02-N05	0.5 GPM Non-Aerated Spray Device, 3/8" NPSM Male w/ Key
3	044A	3/8" to Aerator Adapter
4	001043-45	Washer
5	009538-45	Swivel Washer
6	011429-45	Swivel Sleeves (2)
7	001074-45	O-Ring
8	019385-40	Quarter-Turn New Style Cerama Cartridge w/ Check Valve, LTC
9	150A	1/4" NPT Tailpiece & Nut
10	002954-45	Shank Lock Nut
11	000999-45	Brass Lock Washer
12	019374-40	B-1110 Eterna Workboard Escutcheon
13	019376-40	Escutcheon Lock Nut
14	019384-40	Quarter-Turn New Style Cerama Cartridge w/ Check Valve, RTC
15	019361-45	Lever Handle (New Style)
16	000925-45	Lab Handle Screw
17	019363-45	Blue Button Index, Press-in
18	001017-45	Washer
19	000082-40	B-1100 Knob
20	014200-45	Star Washer, Anti-Rotation
21	019364-45	Red Button Index, Press-in



**Product Specifications:**

4" Wall Mount Workboard Faucet, Quarter-Turn Cerama Cartridges w/ Check Valves, Lever Handles, 2 11/16" Swivel Gooseneck, 0.5 GPM Non-Aerated Spray Device & 1/2" NPT Male Inlets

**Product Compliance:**

ASME A112.18.1 / CSA B125.1  
NSF 61 - Section 9  
NSF 372 (Low Lead Content)  
ANSI A117.1 (ADA)