



**T&S BRASS AND BRONZE WORKS, INC.**  
 2 Saddleback Cove / P.O. Box 1088  
 Travelers Rest, SC 29690

Model No.  
**B-1110-CR**

Item No.

Travelers Rest, SC: 800-476-4103 • Simi Valley, CA: 800-423-0150 • Fax: 864-834-3518 • www.tsbrass.com



**ADA Compliant**

This Space for Architect/Engineer Approval

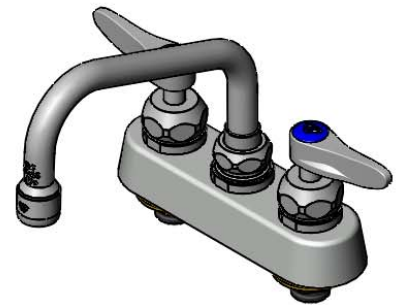
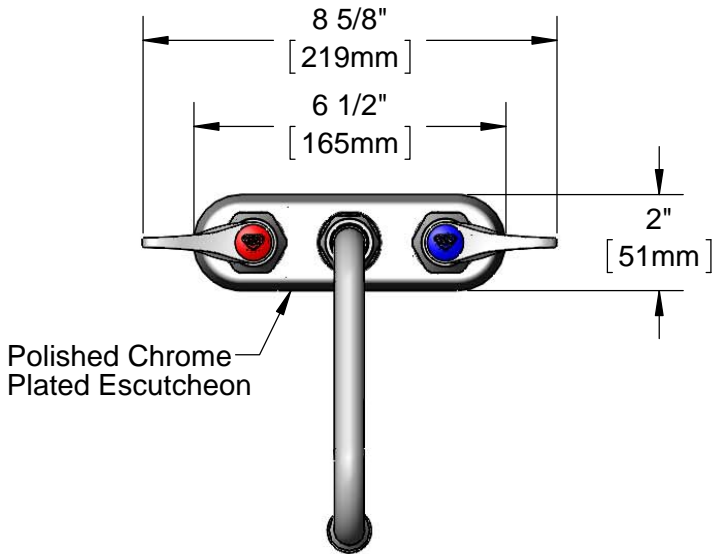
Job Name \_\_\_\_\_ Date \_\_\_\_\_

Model Specified \_\_\_\_\_ Quantity \_\_\_\_\_

Customer/Wholesaler \_\_\_\_\_

Contractor \_\_\_\_\_

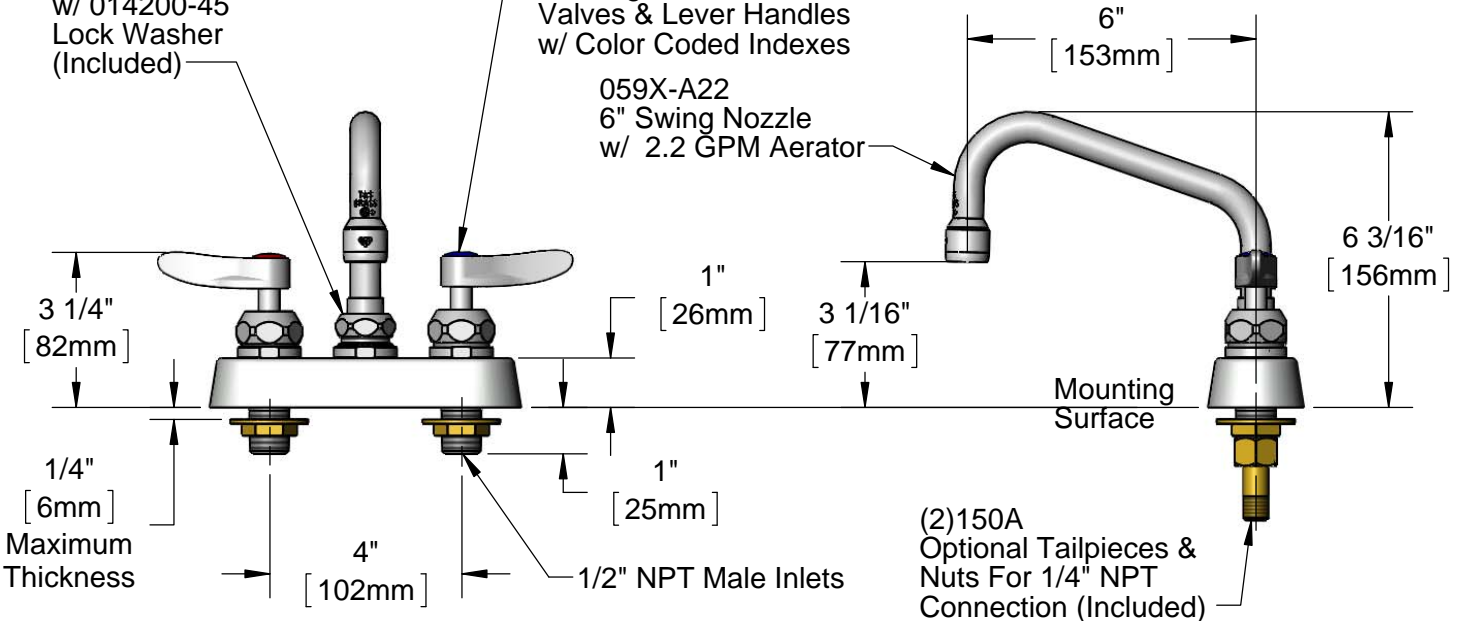
Architect/Engineer \_\_\_\_\_



Swivel Joint  
 Converts to Rigid  
 w/ 014200-45  
 Lock Washer  
 (Included)

Quarter-Turn Cerama  
 Cartridges w/ Check  
 Valves & Lever Handles  
 w/ Color Coded Indexes

059X-A22  
 6" Swing Nozzle  
 w/ 2.2 GPM Aerator



**Rough-In Requirement:**  
 (2)  $\varnothing$  1" [25mm] Mounting Holes

**Product Specifications:**

4" Deck Mount Workboard Faucet, Quarter-Turn Cerama Cartridges w/ Check Valves, Lever Handles, 6" Swing Nozzle, 2.2 GPM Aerator & 1/2" NPT Male Inlets

**Product Compliance:**

ASME A112.18.1 / CSA B125.1  
 NSF 61 - Section 9  
 NSF 372 (Low Lead Content)  
 ANSI A117.1 (ADA)



# T&S BRASS AND BRONZE WORKS, INC.

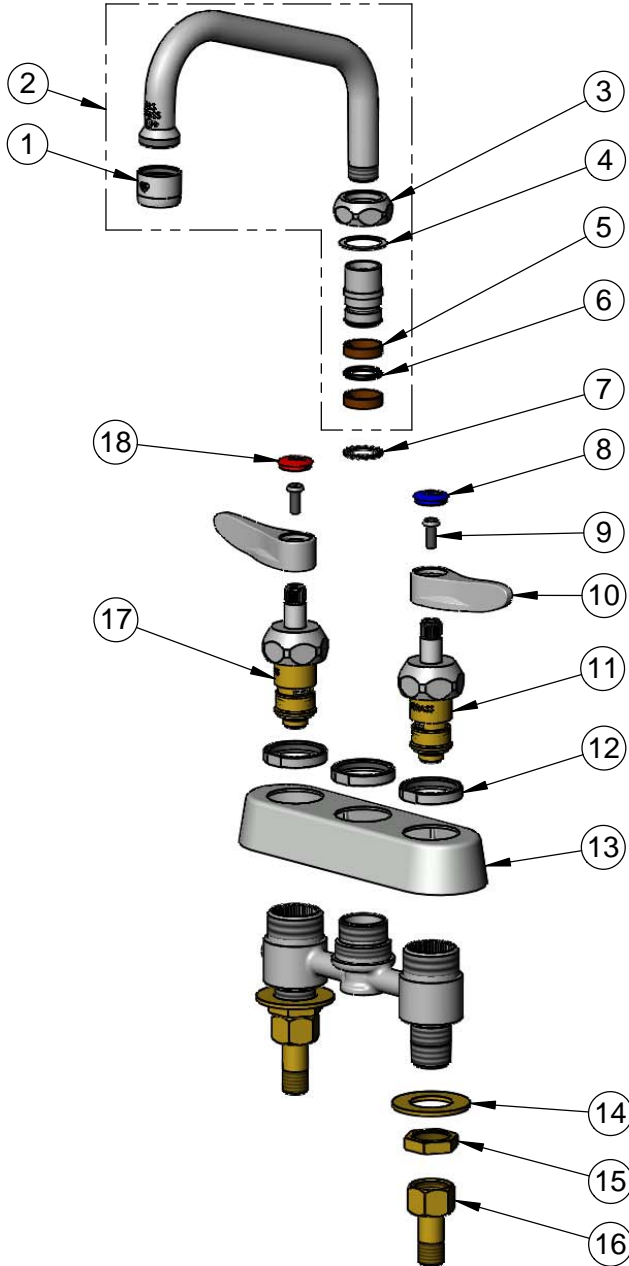
2 Saddleback Cove / P.O. Box 1088  
Travelers Rest, SC 29690

Model No.

**B-1110-CR**

Item No.

Travelers Rest, SC: 800-476-4103 • Simi Valley, CA: 800-423-0150 • Fax: 864-834-3518 • www.tsbrass.com



| ITEM NO. | SALES NO. | DESCRIPTION   |
|----------|-----------|---|
| 1        | B-0199-01 | 2.2 GPM Aerator, 55/64"-27 UN Female                        |
| 2        | 059X-A22  | 6" Swing Nozzle w/ 2.2 GPM Aerator                          |
| 3        | 019360-40 | Swivel Nut (New Style)                                      |
| 4        | 009538-45 | Swivel Washer   |
| 5        | 011429-45 | Swivel Sleeves (2)  |
| 6        | 001074-45 | O-Ring  |
| 7        | 014200-45 | Star Washer, Anti-Rotation                                  |
| 8        | 019363-45 | Blue Button Index, Press-in                                 |
| 9        | 000925-45 | Lab Handle Screw  |
| 10       | 019361-45 | Lever Handle (New Style)                                    |
| 11       | 019385-40 | Quarter-Turn New Style Cerama Cartridge w/ Check Valve, LTC |
| 12       | 019376-40 | Escutcheon Lock Nut   |
| 13       | 019374-40 | B-1100 Eterna Workboard Escutcheon                          |
| 14       | 000999-45 | Brass Lock Washer   |
| 15       | 002954-45 | Shank Lock Nut  |
| 16       | 150A      | 1/4" NPT Tailpiece & Nut                                    |
| 17       | 019384-40 | Quarter-Turn New Style Cerama Cartridge w/ Check Valve, RTC |
| 18       | 019364-45 | Red Button Index, Press-in                                  |

**Product Specifications:**

4" Deck Mount Workboard Faucet, Quarter-Turn Cerama Cartridges w/ Check Valves, Lever Handles, 6" Swing Nozzle, 2.2 GPM Aerator & 1/2" NPT Male Inlets

**Product Compliance:**

ASME A112.18.1 / CSA B125.1  
NSF 61 - Section 9  
NSF 372 (Low Lead Content)  
ANSI A117.1 (ADA)