



T&S BRASS AND BRONZE WORKS, INC.
 2 Saddleback Cove / P.O. Box 1088
 Travelers Rest, SC 29690

Model No.
B-1097

Item No.

Travelers Rest, SC: 800-476-4103 • Simi Valley, CA: 800-423-0150 • Fax: 864-834-3518 • www.tsbrass.com

This Space for Architect/Engineer Approval

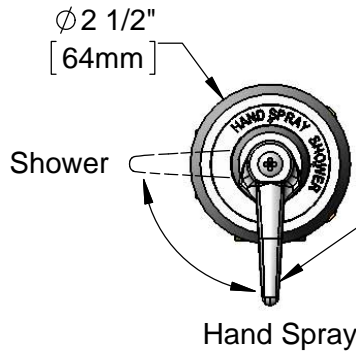
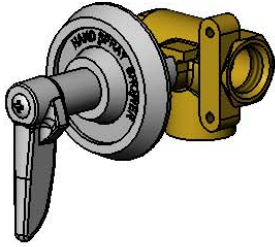
Job Name _____ Date _____

Model Specified _____ Quantity _____

Customer/Wholesaler _____

Contractor _____

Architect/Engineer _____

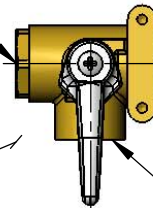


Lever Handle Rotates 1/4 Turn Between SHOWER or HAND SPRAY Positions. Handle Points to Indicator Markings on Escutcheon.

(NOTE: Handle is free to turn full 360°. Turning beyond the SHOWER or HAND SPRAY positions will result in a disruption of flow.)

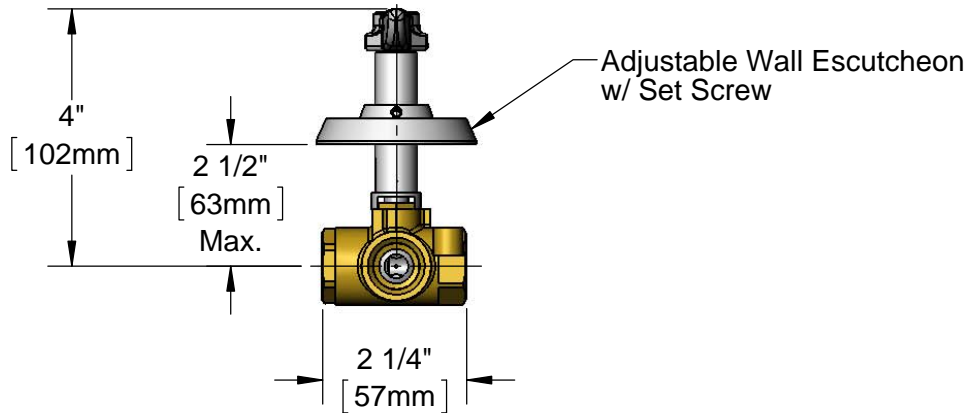
1/2" NPT Female Outlet to Fixed Shower Head

Escutcheon Not Shown for Clarity



1/2" NPT Female Outlet to Hand Spray

1/2" NPT Female Inlet at Bottom



Product Specifications:
 2 Way Diverter Valve For Showers, 1/2" NPT Female Connections
 (Not a Shut-Off Valve)

Product Compliance:
 ASME A112.18.1 / CSA B125.1
 NSF 61 Exempt (Non-Potable)