



T&S BRASS AND BRONZE WORKS, INC.

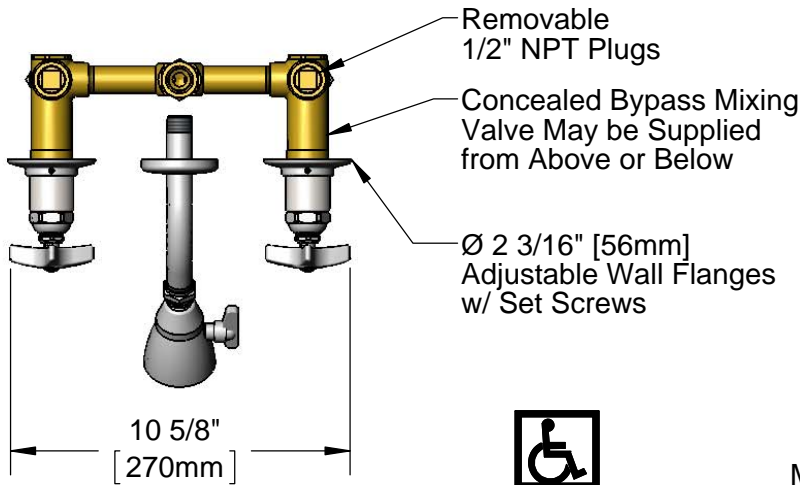
2 Saddleback Cove / P.O. Box 1088
Travelers Rest, SC 29690

Model No.

B-1060

Item No.

Travelers Rest, SC: 800-476-4103 • Simi Valley, CA: 800-423-0150 • Fax: 864-834-3518 • www.tsbrass.com



This Space for Architect/Engineer Approval

Job Name _____ Date _____

Model Specified _____ Quantity _____

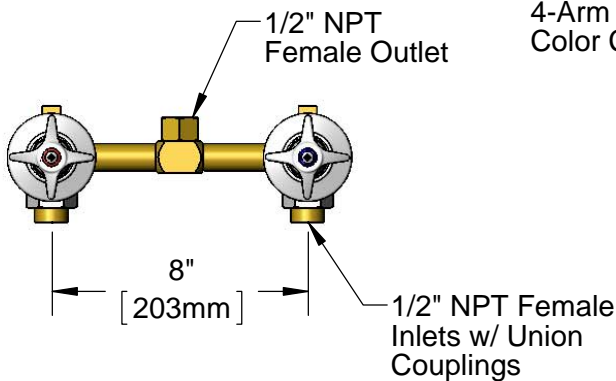
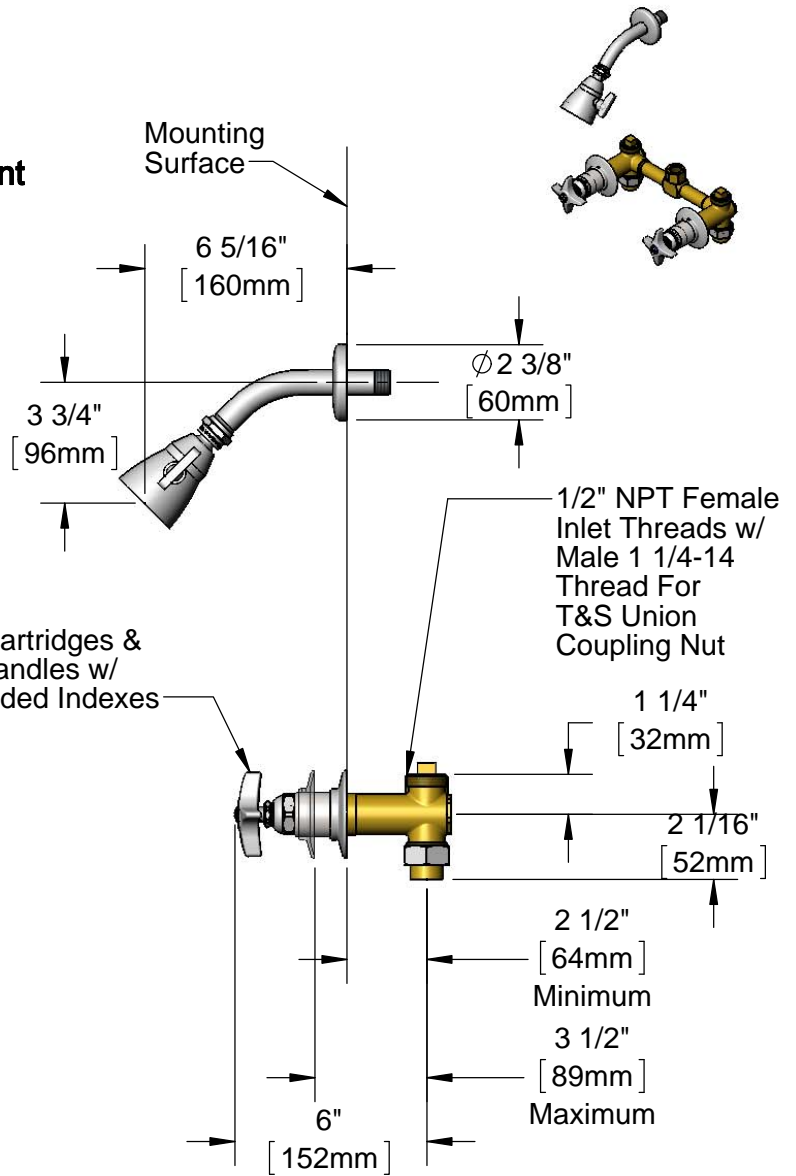
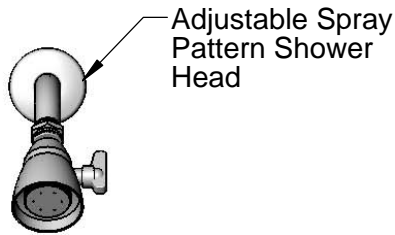
Customer/Wholesaler _____

Contractor _____

Architect/Engineer _____



ADA Compliant



Rough-In Requirement:
(2) Ø 1 1/2" [38mm] Mounting Holes

Product Specifications:

8" Concealed Bypass Mixing Valve, Eterna Cartridges, 4-Arm Handles, Adjustable Wall Flanges, 1/2" NPT Female Outlet, 1/2" NPT Female Inlet and Adjustable Shower head

Product Compliance:

ASME A112.18.1 / CSA B125.1
NSF 61 Exempt (Non-Potable)
NSF 372 (Low Lead Content)
ANSI A117.1 (ADA)



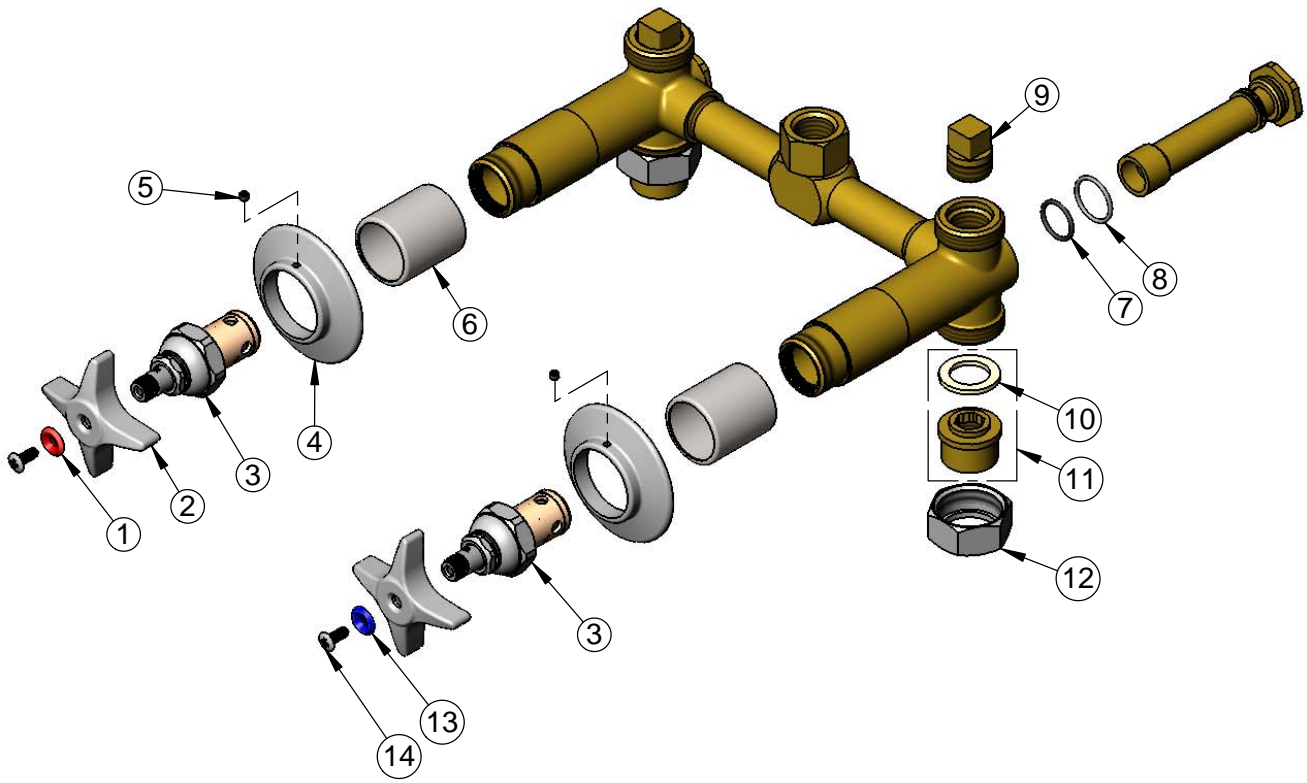
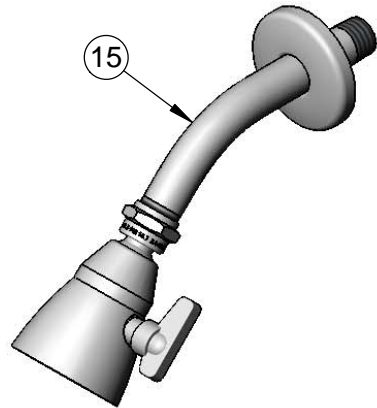
T&S BRASS AND BRONZE WORKS, INC.
 2 Saddleback Cove / P.O. Box 1088
 Travelers Rest, SC 29690

Model No.
B-1060

Item No.

Travelers Rest, SC: 800-476-4103 • Simi Valley, CA: 800-423-0150 • Fax: 864-834-3518 • www.tsbrass.com

ITEM NO.	SALES NO.	DESCRIPTION
1	001661-45	Red Index-HW
2	002521-45	4-Arm Handle
3	005960-40	Eterna Cartridge, RTC
4	001501-40	Escutcheon
5	000939-45	Escutcheon, Set Screw
6	151F	Escutcheon Tube
7	001062-45	O-Ring
8	001702-45	O-Ring
9	001347-20	1/2" NPT Plug
10	001019-45	Coupling Nut Washer
11	153F	Union Half, 1/2 NPT
12	000721-25	Flange Coupling Nut
13	001660-45	Blue Index-CW
14	000922-45	Lever Handle Screw
15	017442-45	2.5 GPM Showerhead



Product Specifications:
 8" Concealed Bypass Mixing Valve, Eterna Cartridges, 4-Arm
 Handles, Adjustable Wall Flanges, 1/2" NPT Female Outlet,
 1/2" NPT Female Inlet and Adjustable Shower head

Product Compliance:
 ASME A112.18.1 / CSA B125.1
 NSF 61 Exempt (Non-Potable)
 NSF 372 (Low Lead Content)
 ANSI A117.1 (ADA)