



T&S BRASS AND BRONZE WORKS, INC.

2 Saddleback Cove / P.O. Box 1088
Travelers Rest, SC 29690

Model No.

B-1037

Item No.

Travelers Rest, SC: 800-476-4103 • Simi Valley, CA: 800-423-0150 • Fax: 864-834-3518 • www.tsbrass.com



ADA Compliant

This Space for Architect/Engineer Approval

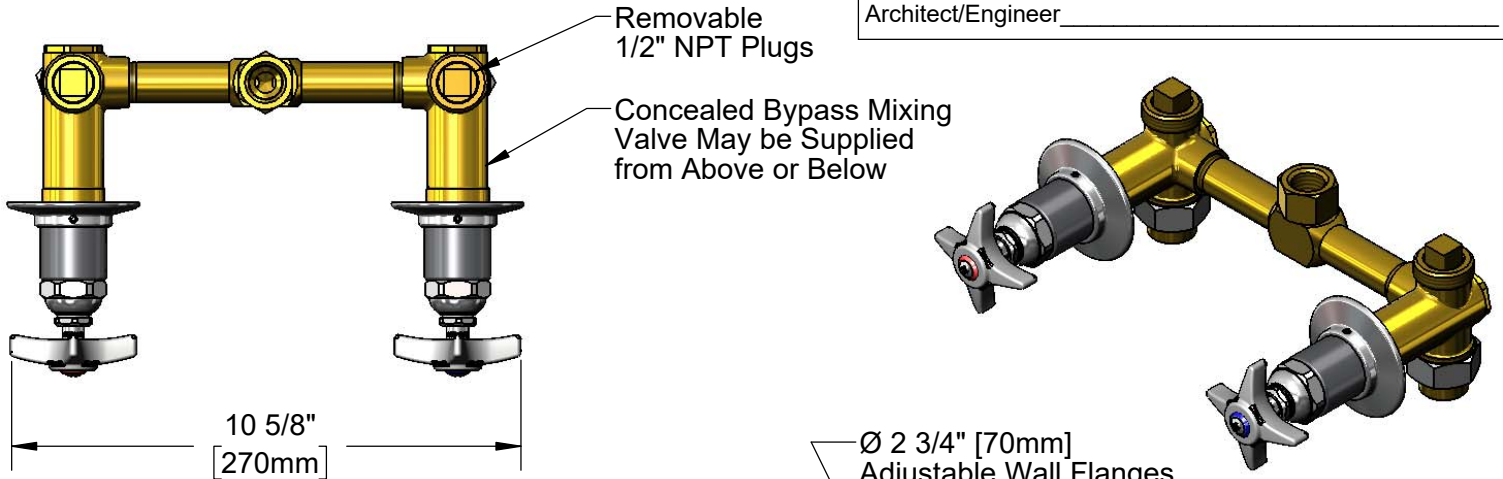
Job Name _____ Date _____

Model Specified _____ Quantity _____

Customer/Wholesaler _____

Contractor _____

Architect/Engineer _____



Removable
1/2" NPT Plugs

Concealed Bypass Mixing
Valve May be Supplied
from Above or Below

10 5/8"
[270mm]

Ø 2 3/4" [70mm]
Adjustable Wall Flanges
w/ Set Screws

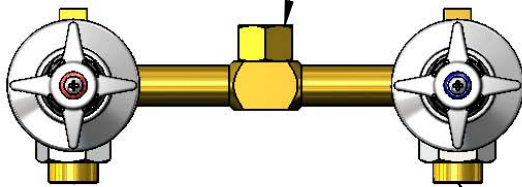
Quarter-Turn
Eterna Cartridges w/
Spring Checks &
4-Arm Handles w/
Color Coded Indexes

1/2" NPT Female
Inlet Threads w/
Male 1 1/4-14
Thread For
T&S Union
Coupling Nut

1 1/4"
[32mm]

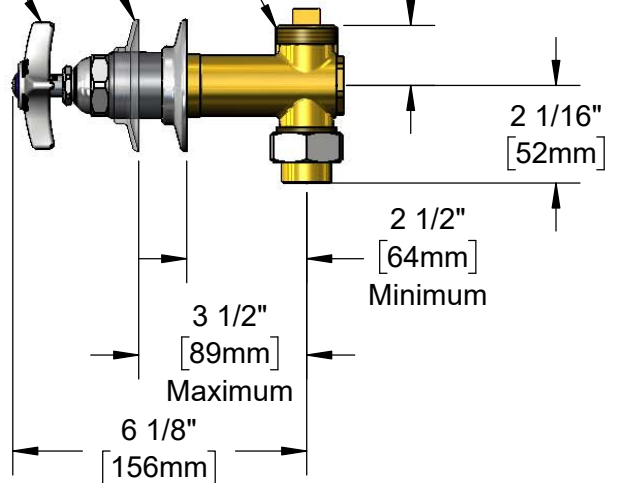
1/2" NPT
Female Outlet

2 1/16"
[52mm]



8"
[203mm]

Solder Union
Inlets for 5/8"
O.D. Copper Tubing



2 1/2"
[64mm]
Minimum

3 1/2"
[89mm]
Maximum

6 1/8"
[156mm]

Rough-In Requirement:
(2) Ø 1 1/2" [38mm] Mounting Holes

Product Specifications:

8" Concealed Bypass Mixing Valve, Quarter-Turn Eterna Cartridges w/ Spring Checks, 4-Arm Handles, Adjustable Wall Flanges, 1/2" NPT Female Outlet & Solder Union Inlets for 5/8" O.D. Copper Tubing

Product Compliance:

ASME A112.18.1 / CSA B125.1
NSF 61 - Section 9
NSF 372 (Low Lead Content)
ANSI A117.1 (ADA)



T&S BRASS AND BRONZE WORKS, INC.

2 Saddleback Cove / P.O. Box 1088
Travelers Rest, SC 29690

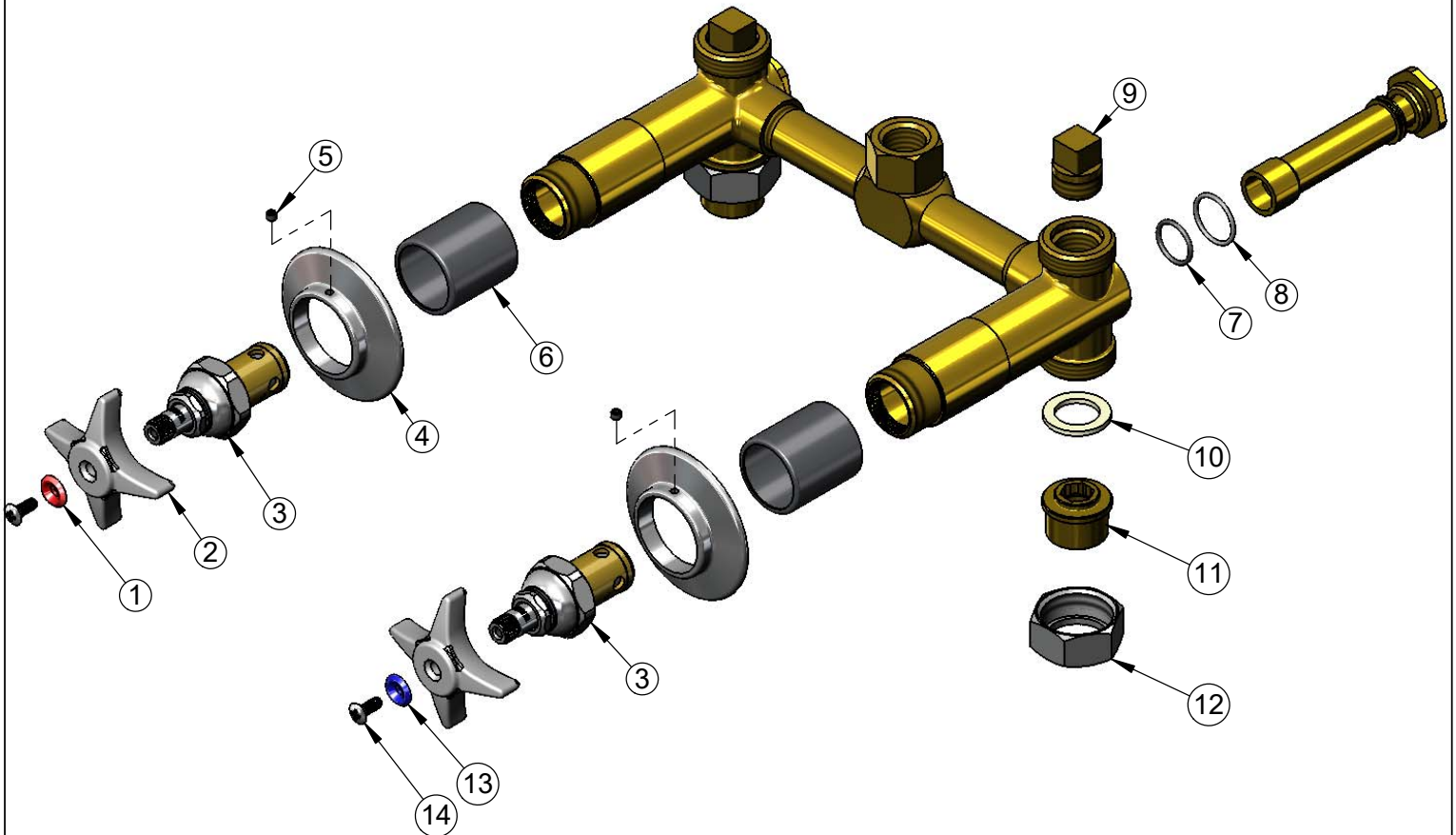
Model No.

B-1037

Item No.

Travelers Rest, SC: 800-476-4103 • Simi Valley, CA: 800-423-0150 • Fax: 864-834-3518 • www.tsbrass.com

| ITEM NO. | SALES NO. | DESCRIPTION |
|----------|-----------|---|
| 1 | 001661-45 | Red Index-HW |
| 2 | 002521-45 | 4-Arm Handle |
| 3 | 012443-40 | Quarter-Turn Eterna Cartridge w/ Spring Check, RTC |
| 4 | 001501-40 | Escutcheon |
| 5 | 000939-45 | Escutcheon, Set Screw |
| 6 | 151F | Escutcheon Tube |
| 7 | 001062-45 | O-Ring |
| 8 | 001702-45 | O-Ring |
| 9 | 001347-20 | 1/2" NPT Plug |
| 10 | 001019-45 | Coupling Nut Washer |
| 11 | 153F | Union Half, 1/2" NPT |
| 12 | 000721-25 | Flange Coupling Nut |
| 13 | 001660-45 | Blue Index-CW |
| 14 | 000922-45 | Lever Handle Screw |



Product Specifications:

8" Concealed Bypass Mixing Valve, Quarter-Turn Eterna Cartridges w/ Spring Checks, 4-Arm Handles, Adjustable Wall Flanges, 1/2" NPT Female Outlet & Solder Union Inlets for 5/8" O.D. Copper Tubing

Product Compliance:

ASME A112.18.1 / CSA B125.1
NSF 61 - Section 9
NSF 372 (Low Lead Content)
ANSI A117.1 (ADA)