



T&S BRASS AND BRONZE WORKS, INC.

2 Saddleback Cove / P.O. Box 1088
Travelers Rest, SC 29690

Model No.

B-1035

Item No.

Travelers Rest, SC: 800-476-4103 • Simi Valley, CA: 800-423-0150 • Fax: 864-834-3518 • www.tsbrass.com



ADA Compliant

This Space for Architect/Engineer Approval

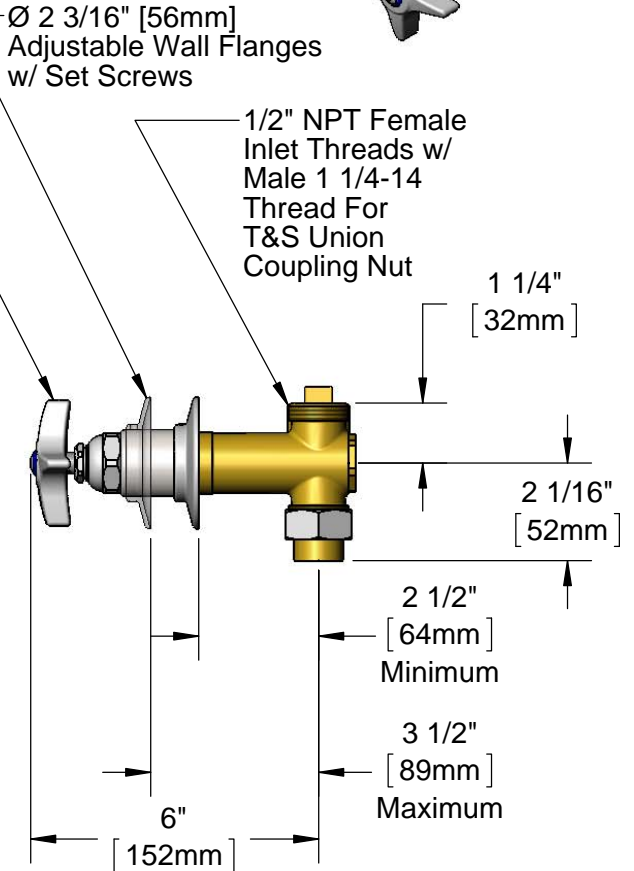
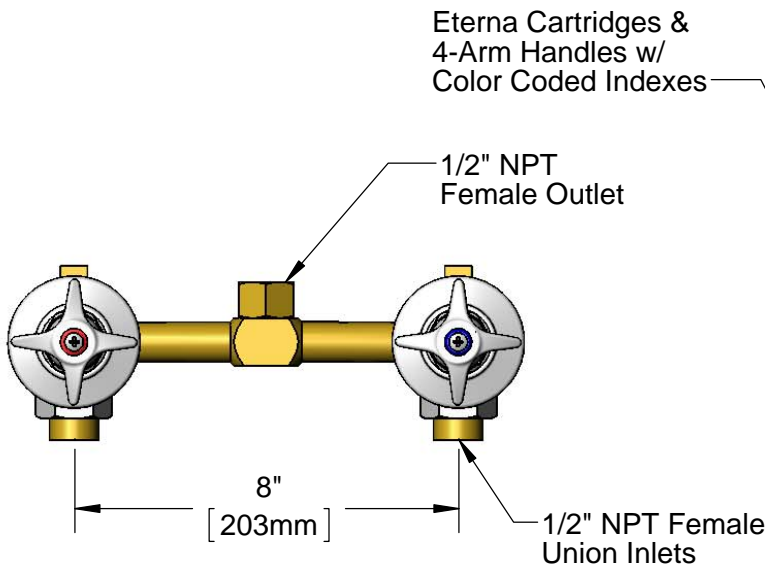
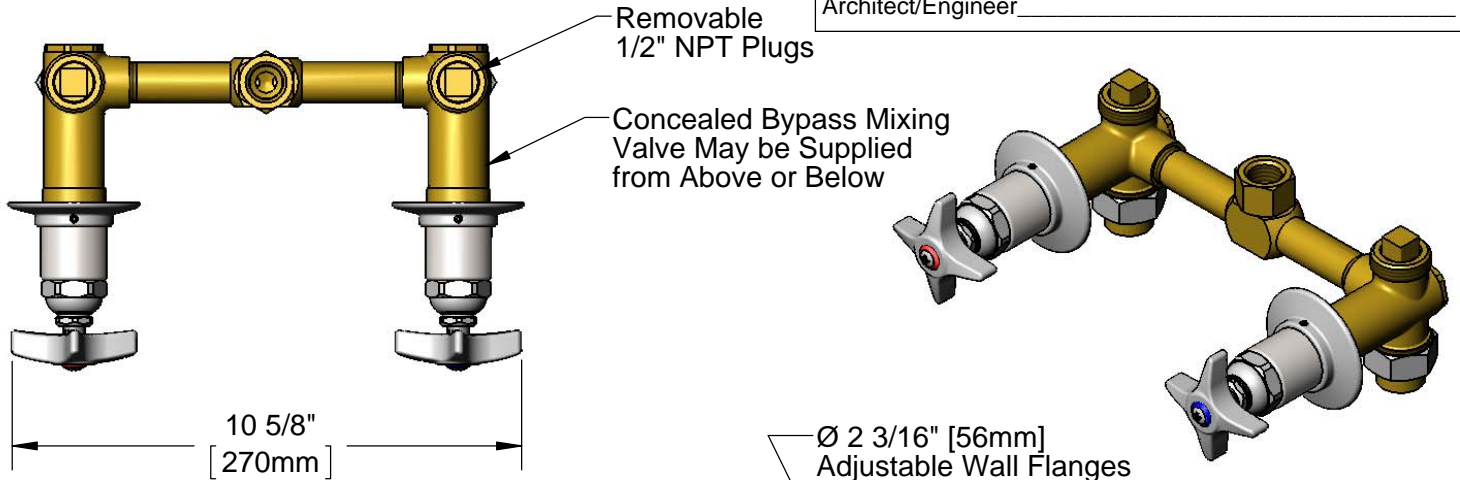
Job Name _____ Date _____

Model Specified _____ Quantity _____

Customer/Wholesaler _____

Contractor _____

Architect/Engineer _____



Rough-In Requirement:
(2) ϕ 1 1/2" [38mm] Mounting Holes

Product Specifications:
8" Concealed Bypass Mixing Valve, Eterna Cartridges, 4-Arm Handles, Adjustable Wall Flanges, 1/2" NPT Female Outlet & 1/2" NPT Female Inlet

Product Compliance:
ASME A112.18.1 / CSA B125.1
NSF 61 - Section 9
NSF 372 (Low Lead Content)
ANSI A117.1 (ADA)



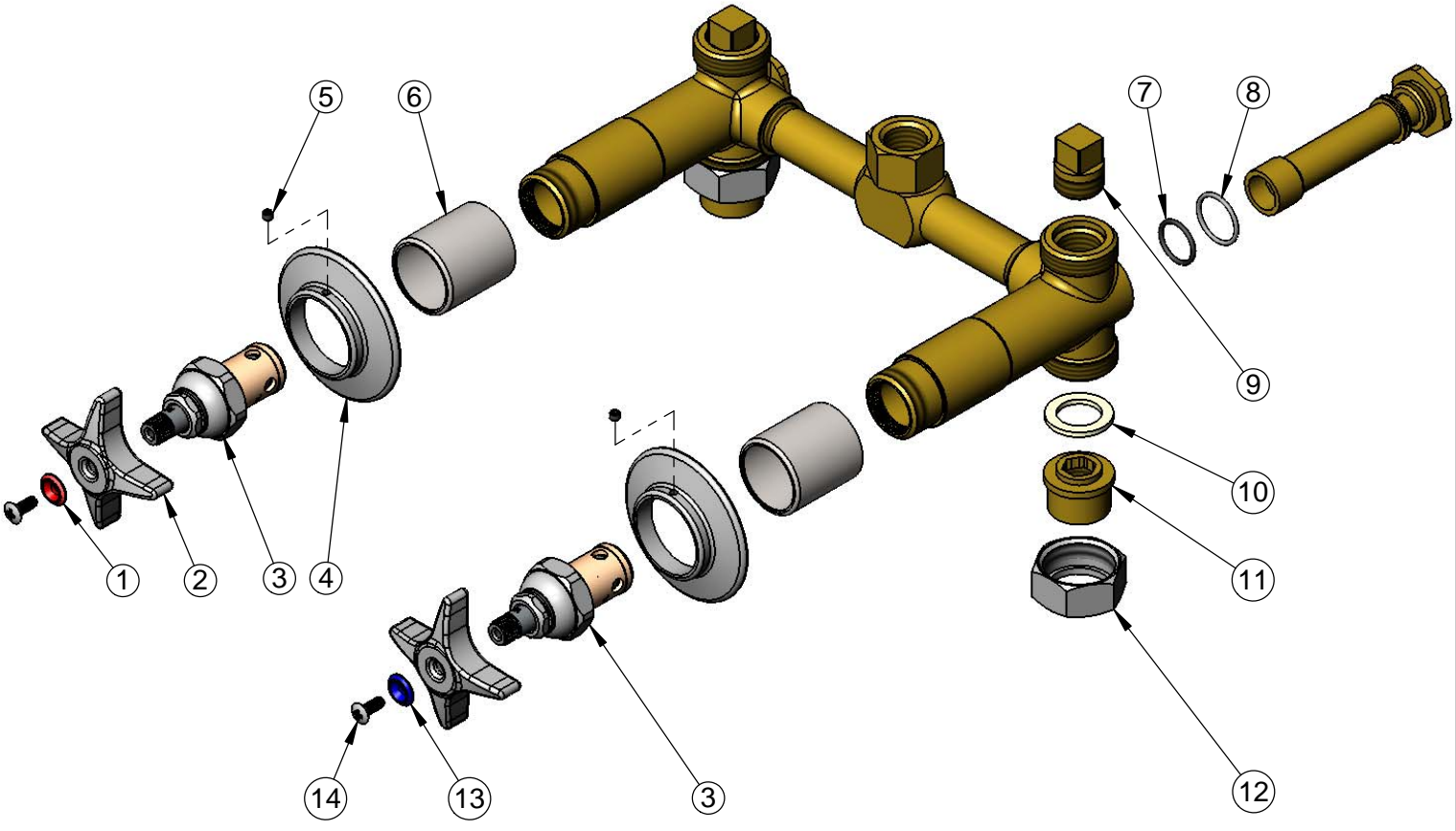
T&S BRASS AND BRONZE WORKS, INC.
 2 Saddleback Cove / P.O. Box 1088
 Travelers Rest, SC 29690

Model No.
B-1035

Item No.

Travelers Rest, SC: 800-476-4103 • Simi Valley, CA: 800-423-0150 • Fax: 864-834-3518 • www.tsbrass.com

ITEM NO.	SALES NO.	DESCRIPTION
1	001661-45	Red Index-HW
2	002521-45	4-Arm Handle
3	005960-40	Eterna Cartridge, RTC
4	001501-40	Escutcheon
5	000939-45	Escutcheon, Set Screw
6	151F	Escutcheon Tube
7	001062-45	O-Ring
8	001702-45	O-Ring
9	001347-20	1/2" NPT Plug
10	001019-45	Coupling Nut Washer
11	153F	Union Half, 1/2 NPT w/ Washer
12	000721-25	Flange Coupling Nut
13	001660-45	Blue Index-CW
14	000922-45	Lever Handle Screw



Product Specifications:
 8" Concealed Bypass Mixing Valve, Eterna Cartridges, 4-Arm
 Handles, Adjustable Wall Flanges, 1/2" NPT Female Outlet &
 1/2" NPT Female Inlet

Product Compliance:
 ASME A112.18.1 / CSA B125.1
 NSF 61 - Section 9
 NSF 372 (Low Lead Content)
 ANSI A117.1 (ADA)