



T&S BRASS AND BRONZE WORKS, INC.
 2 Saddleback Cove / P.O. Box 1088
 Travelers Rest, SC 29690

Model No.
B-1029-UCP

Item No.

Travelers Rest, SC: 800-476-4103 • Simi Valley, CA: 800-423-0150 • Fax: 864-834-3518 • www.tsbrass.com



ADA Compliant

This Space for Architect/Engineer Approval

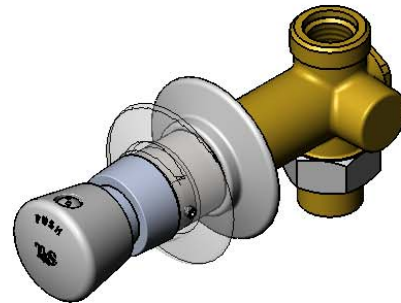
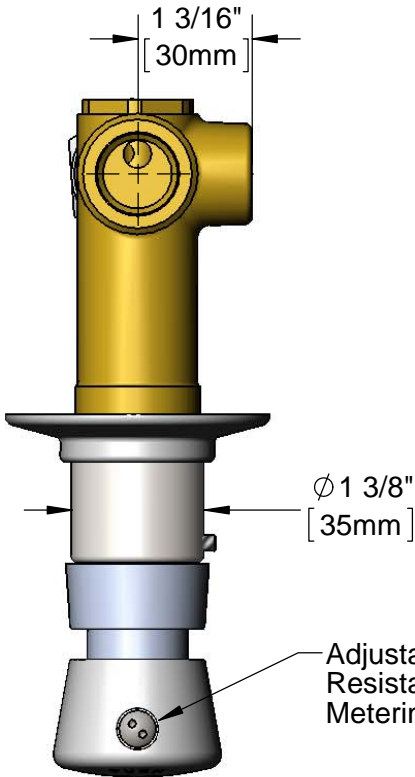
Job Name _____ Date _____

Model Specified _____ Quantity _____

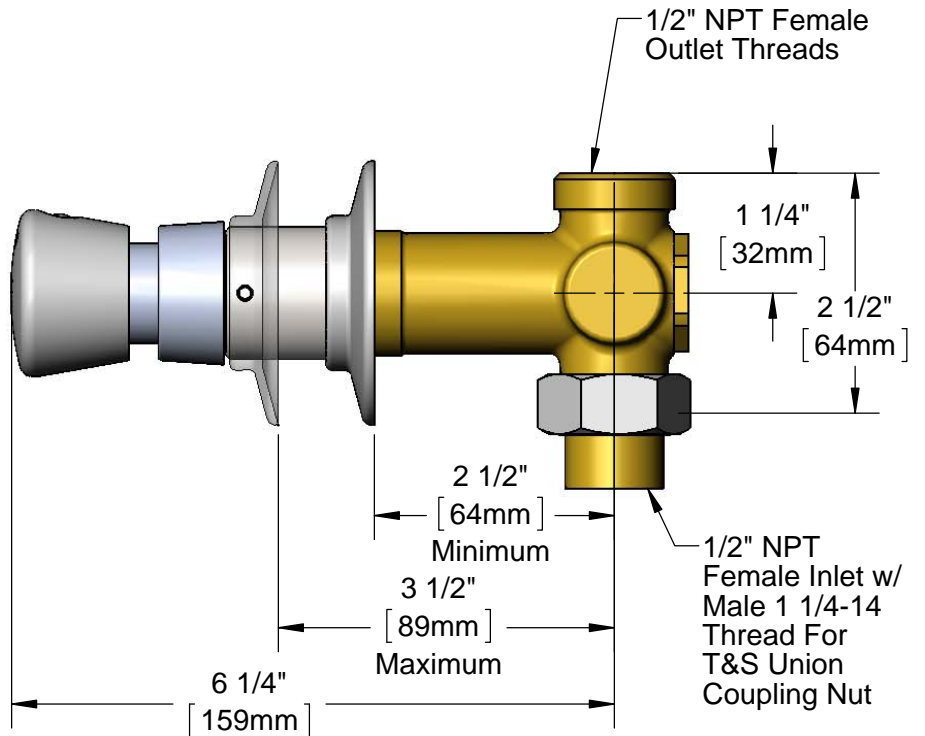
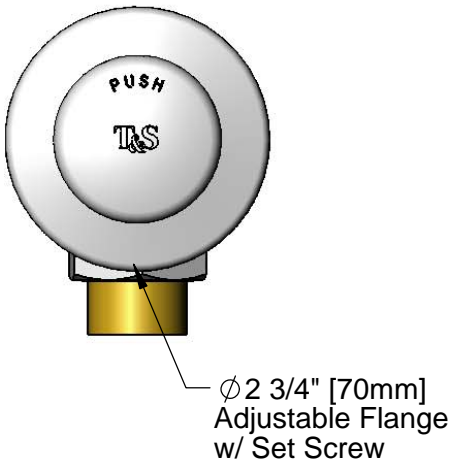
Customer/Wholesaler _____

Contractor _____

Architect/Engineer _____



Adjustable Flow, Vandal Resistant Push Button Metering Cartridge



Product Specifications:

Concealed Straight Single Valve w/ Metering Cartridge, Vandal Resistant Design, Blank Push Button, 1/2" NPT Outlet and 1/2" NPT Female Inlet w/ Union Coupling

Product Compliance:

ASME A112.18.1 / CSA B125.1
 NSF 61 - Section 9
 NSF 372 (Low Lead Content)
 ANSI A117.1 (ADA)



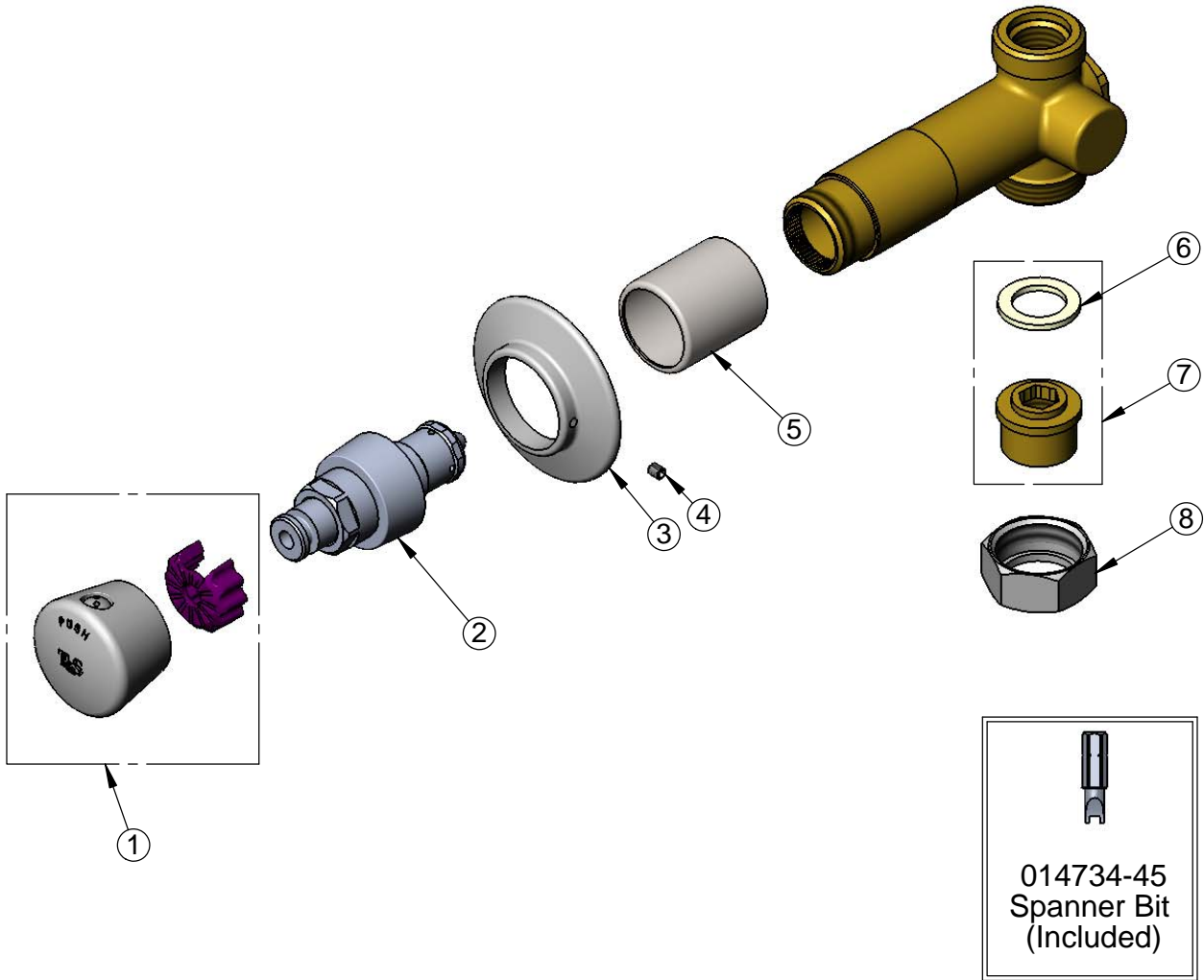
T&S BRASS AND BRONZE WORKS, INC.
 2 Saddleback Cove / P.O. Box 1088
 Travelers Rest, SC 29690

Model No.
B-1029-UCP

Item No.

Travelers Rest, SC: 800-476-4103 • Simi Valley, CA: 800-423-0150 • Fax: 864-834-3518 • www.tsbrass.com

ITEM NO.	SALES NO.	DESCRIPTION
1	014193-40	Blank Push Button
2	238A	Push Button Metering Cartridge
3	001501-40	Escutcheon
4	150F	Escutcheon Set Screw
5	151F	Escutcheon Tube
6	001019-45	Coupling Nut Washer
7	153F	Union Half, 1/2" NPT
8	000721-25	Flange Coupling Nut



Product Specifications:
 Concealed Straight Single Valve w/ Metering Cartridge, Vandal Resistant Design, Blank Push Button, 1/2" NPT Outlet and 1/2" NPT Female Inlet w/ Union Coupling

Product Compliance:
 ASME A112.18.1 / CSA B125.1
 NSF 61 - Section 9
 NSF 372 (Low Lead Content)
 ANSI A117.1 (ADA)