



T&S BRASS AND BRONZE WORKS, INC.

2 Saddleback Cove / P.O. Box 1088
Travelers Rest, SC 29690

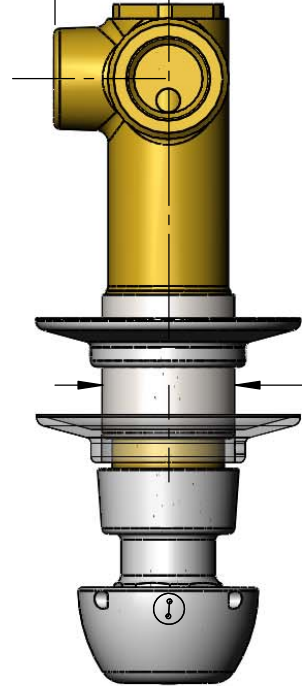
Model No.

B-1029-PA

Item No.

Travelers Rest, SC: 800-476-4103 • Simi Valley, CA: 800-423-0150 • Fax: 864-834-3518 • www.tsbrass.com

1 3/16"
[30mm]



Ø 1 3/8"
[35mm]



ADA Compliant

This Space for Architect/Engineer Approval

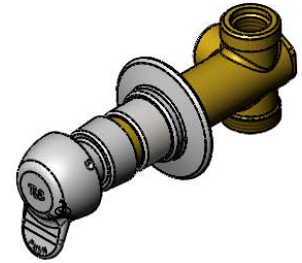
Job Name _____ Date _____

Model Specified _____ Quantity _____

Customer/Wholesaler _____

Contractor _____

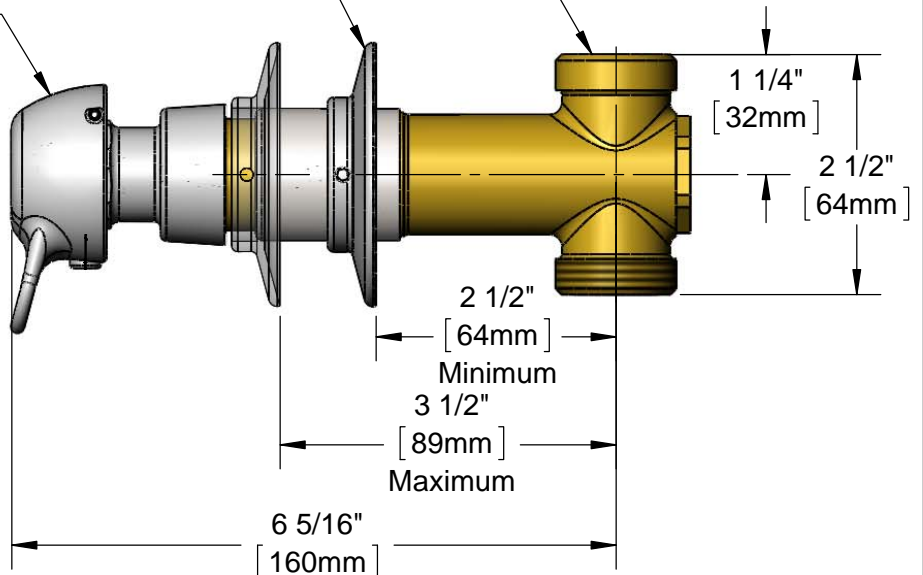
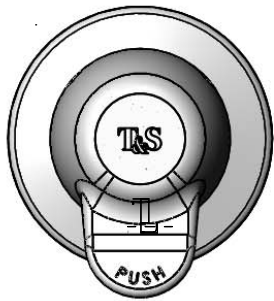
Architect/Engineer _____



1/2" NPT Female Inlet
Threads w/ Male 1 1/4-14
Thread for T&S Union
Coupling Nut

Adjustable Flow,
Vandal Resistant
Pivot Action Handle
Metering Cartridge

Ø 2 3/16 [56mm]
Adjustable Flange
w/ Set Screw



Rough-In Requirement: Ø 1 1/2" Mounting Hole

Product Specifications:
Concealed Straight Slow Self-Closing Valve w/ Adjustable Timed
Flow, Vandal Resistant Design & Blank Pivot Action Handle

Product Compliance:
ASME A112.18.1 / CSA B125.1
NSF 61 - Section 9
NSF 372 (Low Lead Content)
ANSI A117.1 (ADA)



T&S BRASS AND BRONZE WORKS, INC.

2 Saddleback Cove / P.O. Box 1088
Travelers Rest, SC 29690

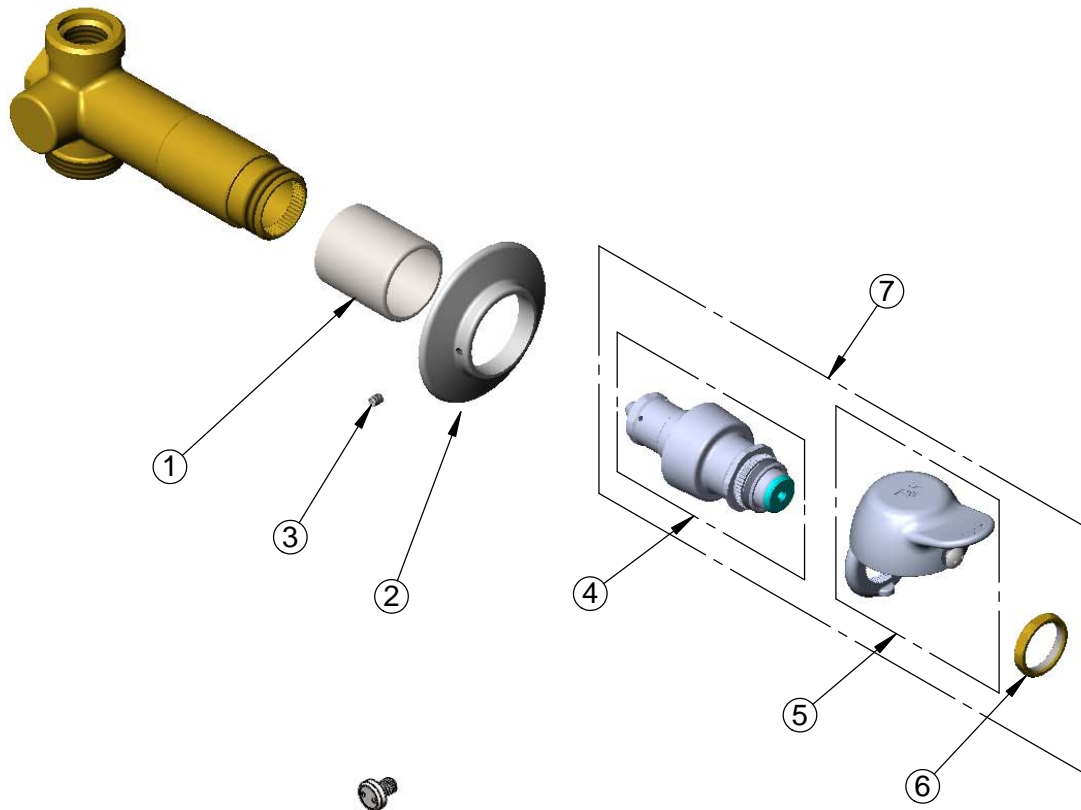
Model No.

B-1029-PA

Item No.

Travelers Rest, SC: 800-476-4103 • Simi Valley, CA: 800-423-0150 • Fax: 864-834-3518 • www.tsbrass.com

ITEM NO.	SALES NO.	DESCRIPTION
1	151F	Escutcheon Tube
2	001501-40	Escutcheon
3	150F	Escutcheon Set Screw
4	238A-PA	Pivot Action Metering Cartridge w/ Retaining Nut
5	PA-B	Blank Pivot Action Handle Assembly w/ Retaining Nut and Spanner Bit
6	PA-N	Retaining Nut
7	238AB-PA	Pivot Action Metering Cartridge w/ Blank Pivot Action Handle, Retaining Nut and Spanner Bit



Spanner Bit for
Vandal Resistant Screw
014734-45

Pivot Action Handle
Vandal Resistant Screw
016654-45

Product Specifications:
Concealed Straight Slow Self-Closing Valve w/ Adjustable Timed Flow, Vandal Resistant Design & Blank Pivot Action Handle

Product Compliance:
ASME A112.18.1 / CSA B125.1
NSF 61 - Section 9
NSF 372 (Low Lead Content)
ANSI A117.1 (ADA)