



T&S BRASS AND BRONZE WORKS, INC.
 2 Saddleback Cove / P.O. Box 1088
 Travelers Rest, SC 29690

Model No.
B-0974

Item No.

Travelers Rest, SC: 800-476-4103 • Simi Valley, CA: 800-423-0150 • Fax: 864-834-3518 • www.tsbrass.com

This Space for Architect/Engineer Approval

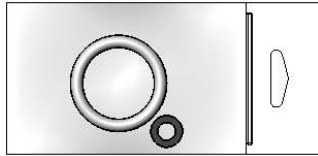
Job Name _____ Date _____

Model Specified _____ Quantity _____

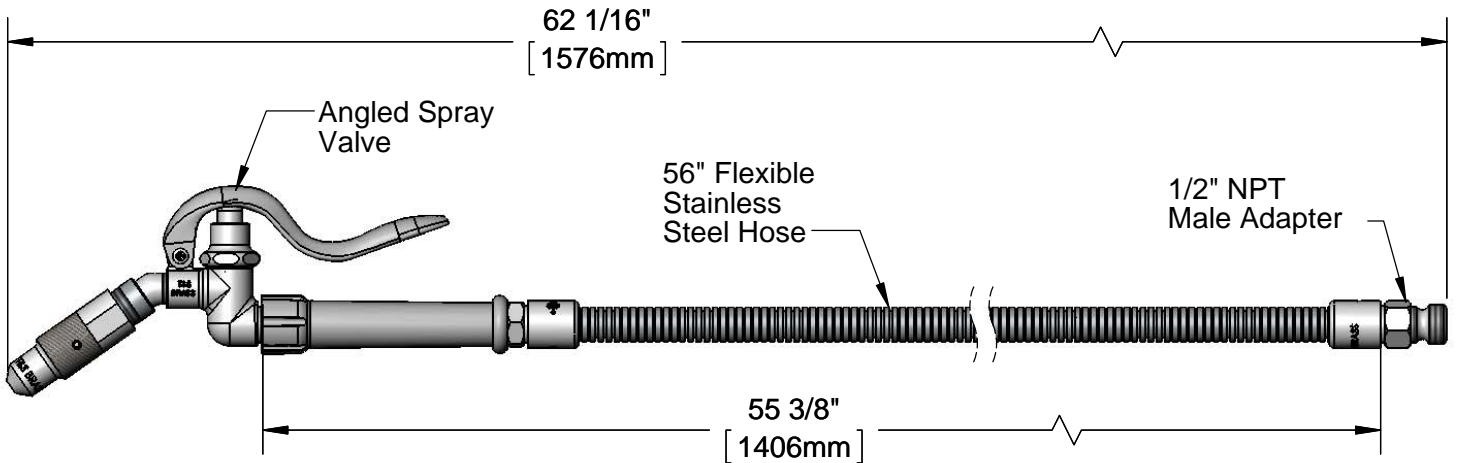
Customer/Wholesaler _____

Contractor _____

Architect/Engineer _____



Hold Down Ring
& Washer
(Included)



Product Specifications:
 Angled Spray Valve w/ Adjustable Spray Head, 56" Flexible Stainless Steel Hose & 1/2" NPT Male Inlet Adapter

Product Compliance:
 ASME A112.18.1 / CSA B125.1
 NSF 61 - Section 9
 NSF 372 (Low Lead Content)
 EPA Act 2005 Non-Compliant (PRSV)



T&S BRASS AND BRONZE WORKS, INC.

2 Saddleback Cove / P.O. Box 1088
Travelers Rest, SC 29690

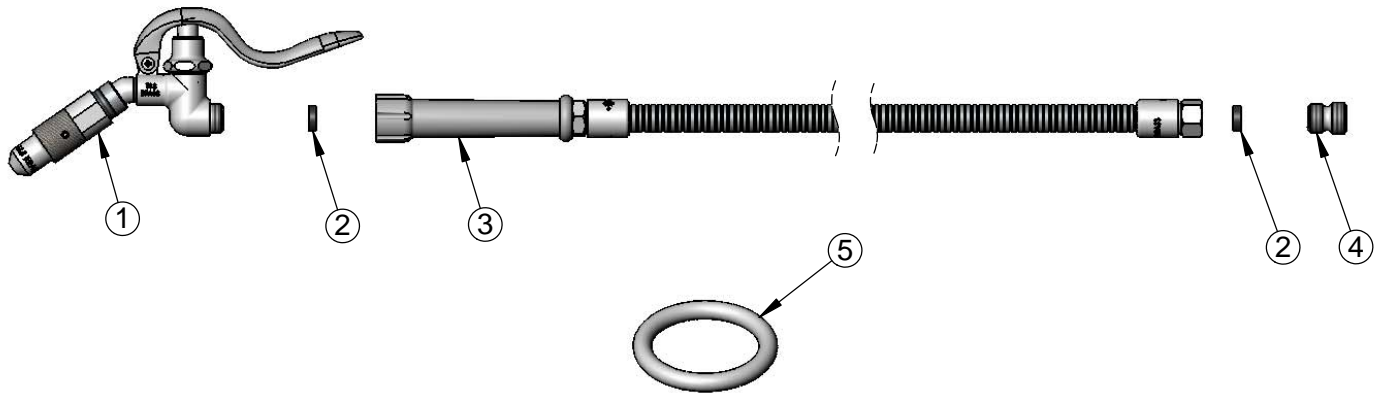
Model No.

B-0974

Item No.

Travelers Rest, SC: 800-476-4103 • Simi Valley, CA: 800-423-0150 • Fax: 864-834-3518 • www.tsbrass.com

ITEM NO.	SALES NO.	DESCRIPTION
1	009548-40	Angled Spray Valve w/ Adjustable Head
2	010476-45	#27 Washer
3	B-0056-H	56" Flexible Stainless Steel Hose w/ Handle
4	055A	Adapter, 1/2" NPT Male
5	000907-45	Spray Valve Hold Down Ring



Product Specifications:

Angled Spray Valve w/ Adjustable Spray Head, 56" Flexible Stainless Steel Hose & 1/2" NPT Male Inlet Adapter

Product Compliance:

ASME A112.18.1 / CSA B125.1
NSF 61 - Section 9
NSF 372 (Low Lead Content)
EPA 2005 Non-Compliant (PRSV)