



T&S BRASS AND BRONZE WORKS, INC.  
 2 SADDLEBACK COVE / P.O. BOX 1088 / TRAVELERS REST, SC 29690  
 PHONE 800-476-4103 FAX 864- 834-3518

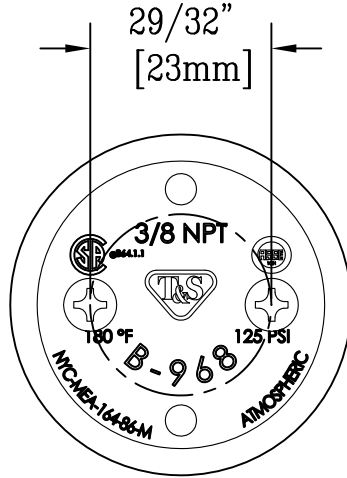


Model No.  
 B-0968-HA  
 Item No.:

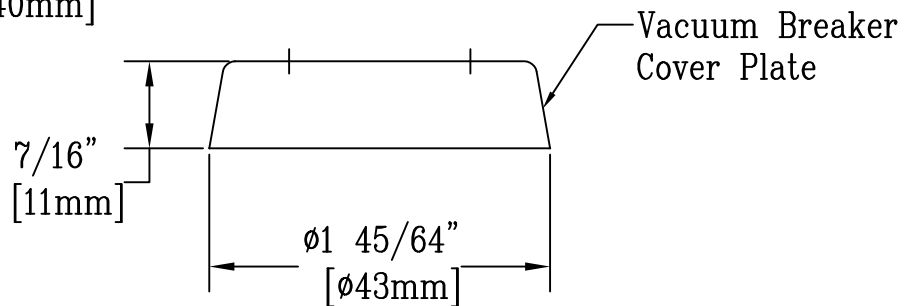
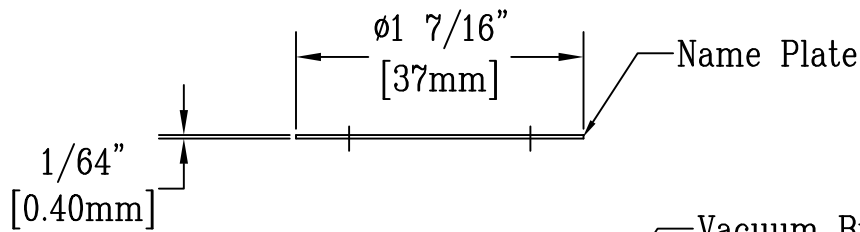
Job Name:

Architect/Engineer Approval:

Notes:



(2) Self-Tapping Screws



Product Description:  
 B-0968 Vacuum Breaker Cover Plate  
 Replacement Parts Kit

Drawn:  
 KJG  
 Approved  
 JHB

Checked  
 DMH

Scale:  
 1 : 1  
 Date:  
 02/26/10