



**T&S BRASS AND BRONZE WORKS, INC.**  
 2 SADDLEBACK COVE / P.O. BOX 1088 / TRAVELERS REST, SC 29690  
 PHONE 800-476-4103 FAX 864-834-3518



Model No.

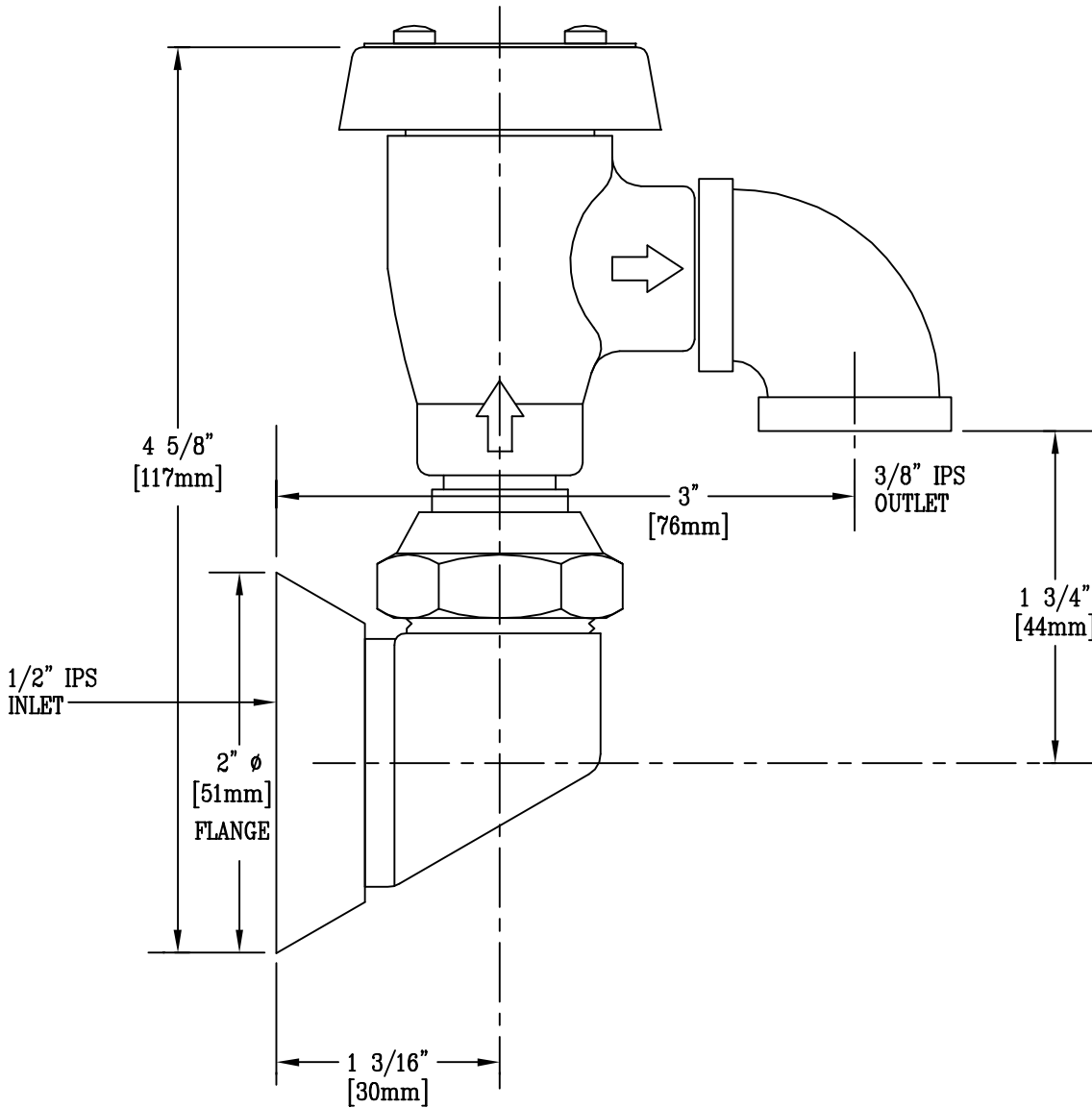
B-0965

Item No.:

Job Name:

Architect/Engineer Approval:

Notes:



Product Description:  
 ATMOSPHERIC VACUUM BREAKER ASSEMBLY WITH  
 EXPOSED OUTLET, POLISHED CHROME PLATED SWIVEL  
 ASSEMBLY, 1/2" IPS INLET & 3/8" IPS OUTLET

Drawn:

WJS

Approved

CA

Checked

SCM

Scale:

1' = 1'

Date:

8/11/95