



T&S BRASS AND BRONZE WORKS, INC.
 2 Saddleback Cove / P.O. Box 1088
 Travelers Rest, SC 29690

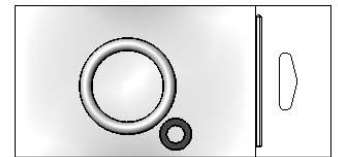
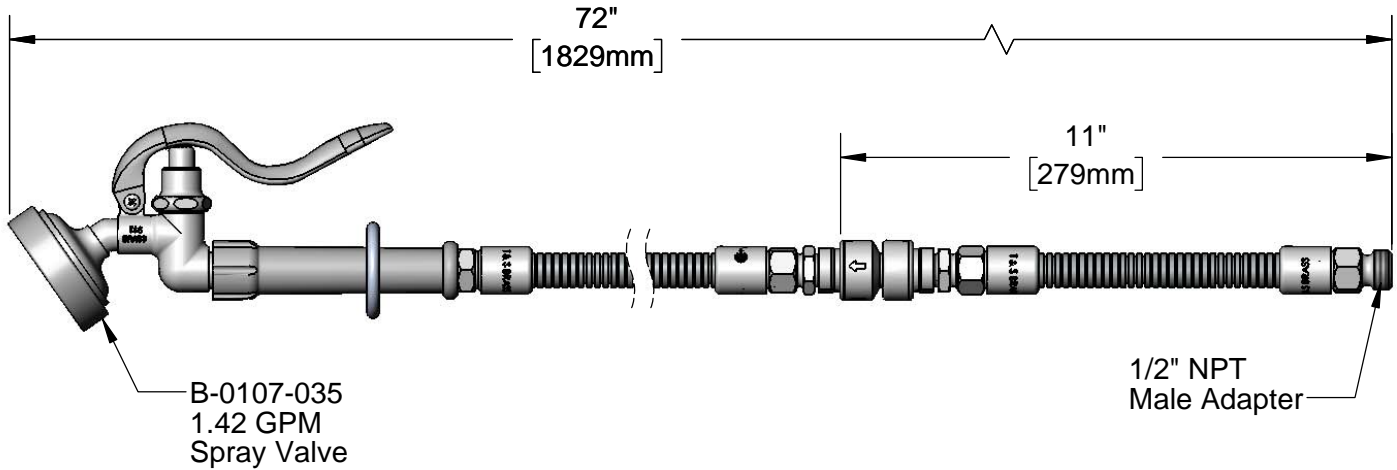
Model No.
B-0950-VB

Item No.

Travelers Rest, SC: 800-476-4103 • Simi Valley, CA: 800-423-0150 • Fax: 864-834-3518 • www.tsbrass.com

This Space for Architect/Engineer Approval

Job Name _____ Date _____
 Model Specified _____ Quantity _____
 Customer/Wholesaler _____
 Contractor _____
 Architect/Engineer _____



Hold Down Ring
& Washer
(Included)

Product Specifications:
 1.42 GPM Spray Valve w/ 72" Overall Length Flexible Stainless Steel Hose,
 Vacuum Breaker, and 1/2" NPT Male Adapter

Product Compliance:
 ASME A112.18.1 / CSA B125.1
 NSF 61 - Section 9
 NSF 372 (Low Lead Content)
 EPA Act 2005 (PRSV)
 ASSE 1001 (VB)



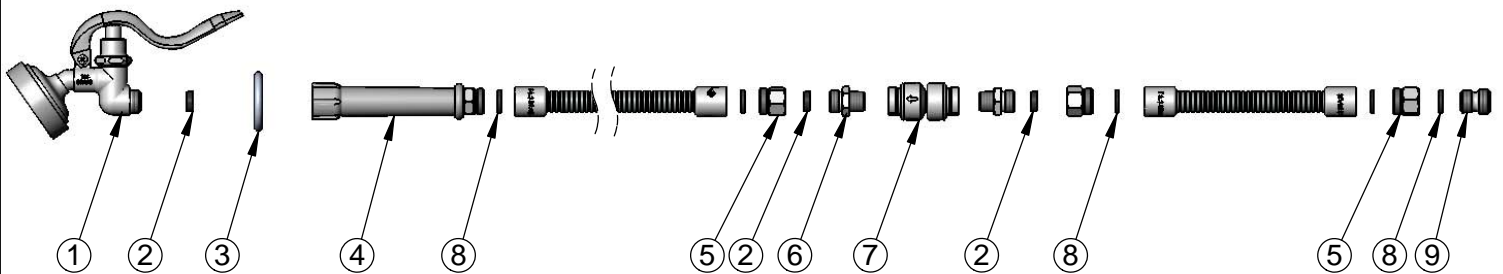
T&S BRASS AND BRONZE WORKS, INC.
 2 Saddleback Cove / P.O. Box 1088
 Travelers Rest, SC 29690

Model No.
B-0950-VB

Item No.

Travelers Rest, SC: 800-476-4103 • Simi Valley, CA: 800-423-0150 • Fax: 864-834-3518 • www.tsbrass.com

ITEM NO.	SALES NO.	DESCRIPTION
1	B-0107-035	1.42 GPM Angled Spray Valve
2	010476-45	#27 Washer
3	000907-45	Spray Valve Hold Down Ring
4	002987-40	Grip Handle
5	000729-40	Nut, 7/8-20 Male x 3/4-14 Female
6	053A	Adapter, 3/8" NPT Male
7	B-0970-FE	3/8" NPT Vacuum Breaker
8	001014-45	Washer, B-0100 Hose Barrel
9	055A	Adapter, 1/2 NPT Male



Product Specifications:
 1.42 GPM Spray Valve w/ 72" Overall Length Flexible Stainless Steel Hose,
 Vacuum Breaker, and 1/2" NPT Male Adapter

Product Compliance:
 ASME A112.18.1 / CSA B125.1
 NSF 61 - Section 9
 NSF 372 (Low Lead Content)
 EPA Act 2005 (PRSV)
 ASSE 1001 (VB)