



# T&S BRASS AND BRONZE WORKS, INC.

2 Saddleback Cove / P.O. Box 1088  
Travelers Rest, SC 29690

Model No.

**B-0933-ST**

Item No.

Travelers Rest, SC: 800-476-4103 • Simi Valley, CA: 800-423-0150 • Fax: 864-834-3518 • www.tsbrass.com

This Space for Architect/Engineer Approval

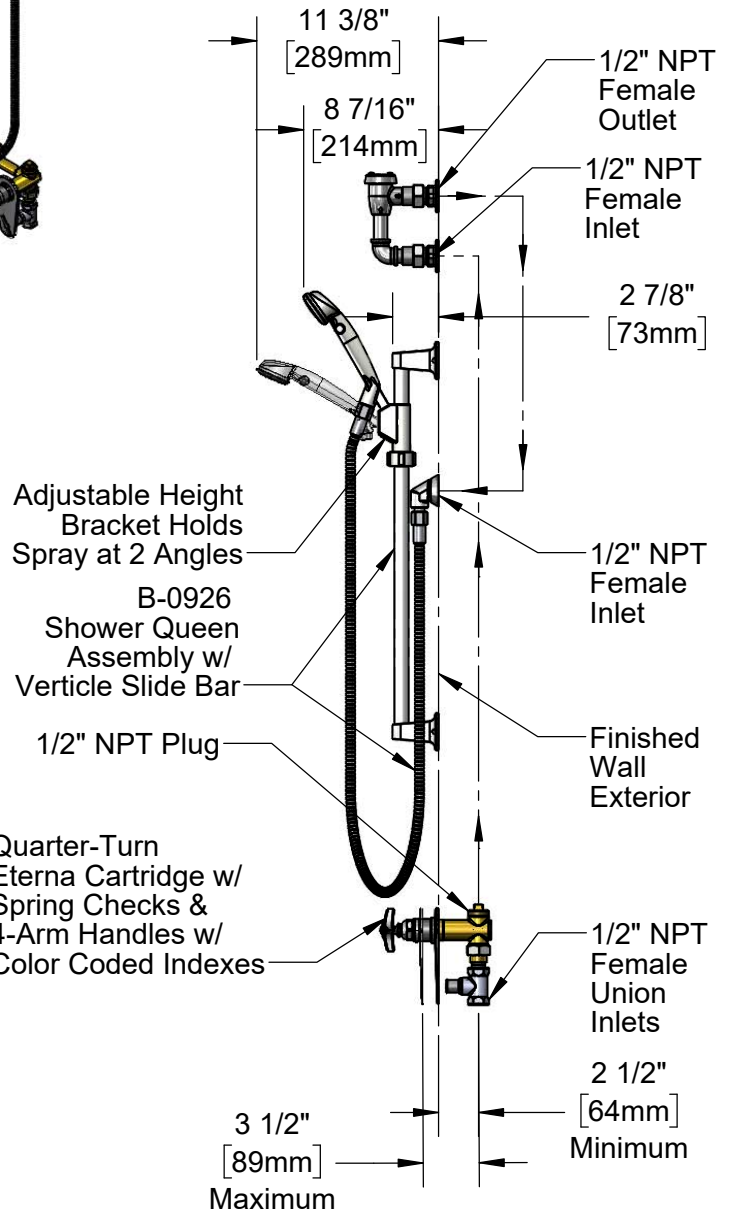
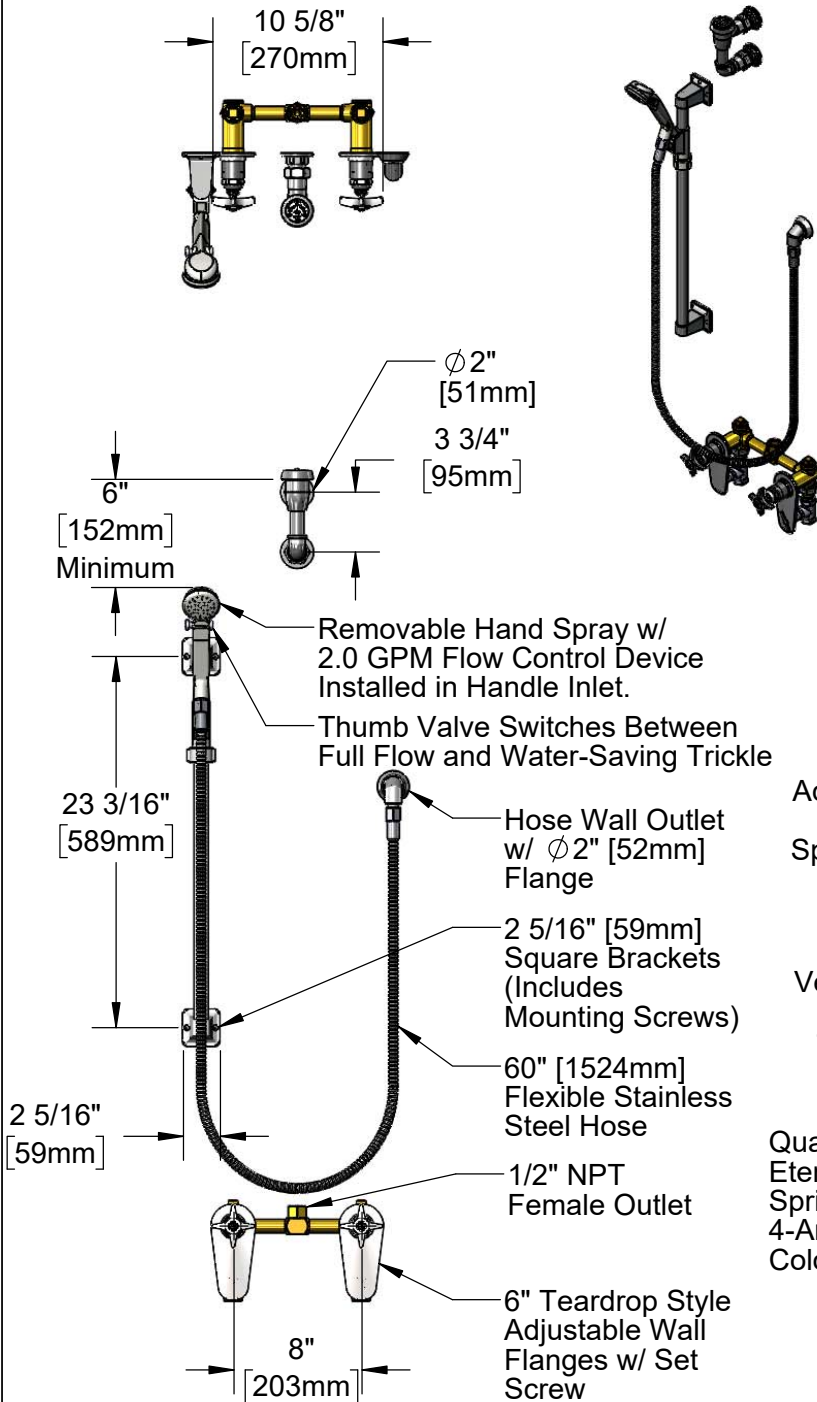
Job Name \_\_\_\_\_ Date \_\_\_\_\_

Model Specified \_\_\_\_\_ Quantity \_\_\_\_\_

Customer/Wholesaler \_\_\_\_\_

Contractor \_\_\_\_\_

Architect/Engineer \_\_\_\_\_



**Product Specifications:**

8" Concealed Bypass Mixing Valve, Adjustable Wall Flanges and Sleeves, 1/2" NPT Female Outlet, Quarter-Turn Eterna Cartridges w/ Spring Checks, 4 Arm Handles, 1/2" NPT Female Loose Key Straight Stops, Vacuum Breaker, Wall Outlet, Shower Hand Spray w/ Non-Positive Shut-off Thumb Valve, 60" Flexible Stainless Steel Hose, Vertical Slide Bar and Adjustable Height Mounting Bracket.

**Product Compliance:**

ASME A112.18.1 / CSA B125.1  
NSF 61 Exempt (Non-Potable)  
ANSI A117.1 (ADA)  
ASSE 1001 (VB)



# T&S BRASS AND BRONZE WORKS, INC.

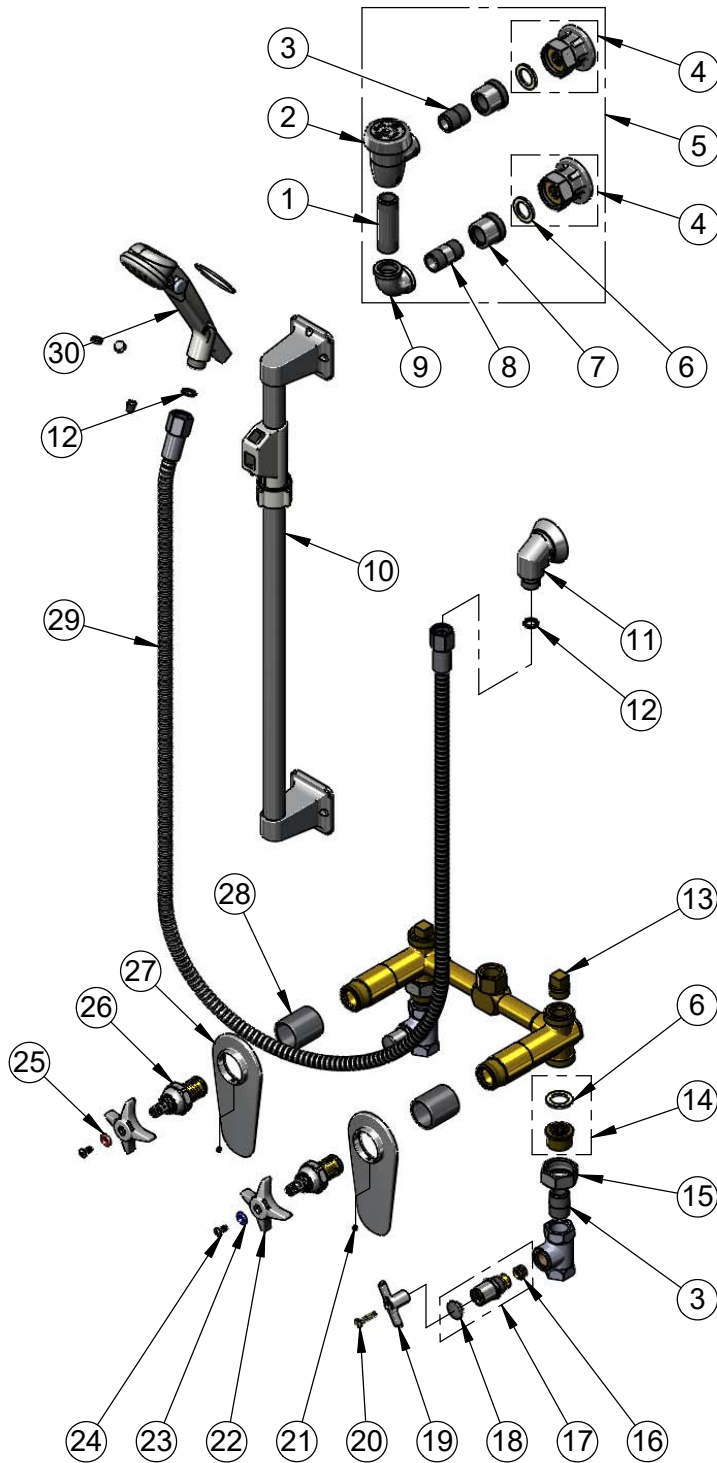
2 Saddleback Cove / P.O. Box 1088  
Travelers Rest, SC 29690

Model No.

**B-0933-ST**

Item No.

Travelers Rest, SC: 800-476-4103 • Simi Valley, CA: 800-423-0150 • Fax: 864-834-3518 • www.tsbrass.com



ITEM NO.	SALES NO.	DESCRIPTION
1	001510-40	Nipple, 1/2" x 2 5/8"
2	B-0969	1/2" NPT Vacuum Breaker
3	002534-25	Close Nipple, 1/2" NPT
4	00AA	1/2" NPT Eccentric Female Flange
5	B-0929-A	1/2" NPT Atmospheric Vacuum Breaker
6	001019-45	Coupling Nut Washer
7	000870-40	Male Half Union
8	001509-40	Nipple, 1/2" NPT X 1 1/2"
9	001357-40	Cast Elbow, 1/2" NPT
10	B-0940	Vertical Slide Bar w/ Adjustable Height Bracket
11	SQ-0094	1/2" NPT Wall Outlet
12	009037-45	Face Seal
13	001347-20	1/2" NPT Square Head Plug
14	153F	Union Half, 1/2 NPT w/ Washer
15	000721-25	Flange Coupling Nut
16	000763-20	Seat
17	002892-40	Stop Spindle w/ Cap
18	001605-45	Cap
19	001802-45	Handle, Supply Stop "T"
20	002432-45	Screw, Tee Handle
21	000939-45	Escutcheon, Set Screw
22	002521-45	4-Arm Handle
23	001660-45	Blue Index-CW
24	000922-45	Lever Handle Screw
25	001661-45	Red Index-HW
26	012443-40	Quarter-Turn Eterna Cartridge w/ Spring Check, RTC
27	002820-40	Tear-Drop Escutcheon
28	151F	Escutcheon Tube
29	013E-60H	60" Flexible Stainless Steel Hose
30	SQ-0095	Hand Spray, Shower Queen

**Product Specifications:**

8" Concealed Bypass Mixing Valve, Adjustable Wall Flanges and Sleeves, 1/2" NPT Female Outlet, Quarter-Turn Eterna Cartridges w/ Spring Checks, 4 Arm Handles, 1/2" NPT Female Loose Key Straight Stops, Vacuum Breaker, Wall Outlet, Shower Hand Spray w/ Non-Positive Shut-off Thumb Valve, 60" Flexible Stainless Steel Hose, Vertical Slide Bar and Adjustable Height Mounting Bracket.

**Product Compliance:**

ASME A112.18.1 / CSA B125.1  
NSF 61 Exempt (Non-Potable)  
ANSI A117.1 (ADA)  
ASSE 1001 (VB)